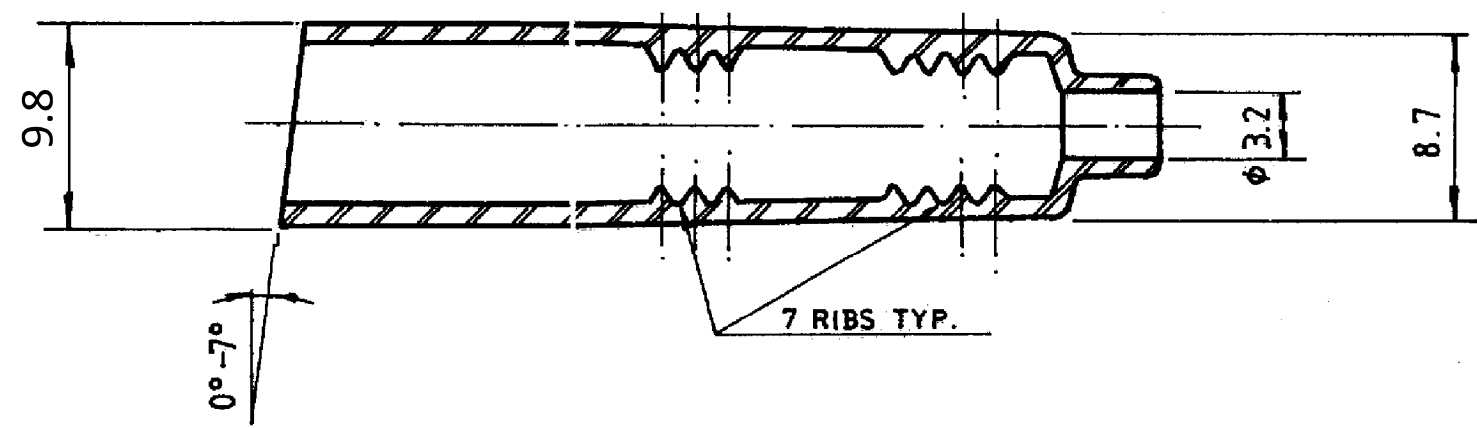
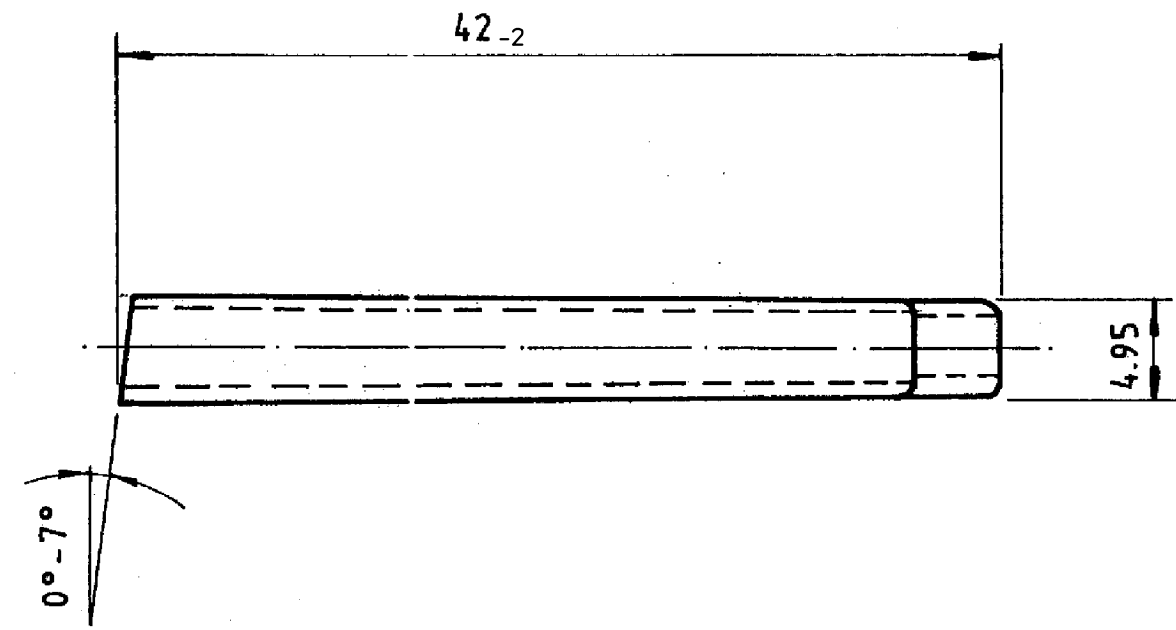
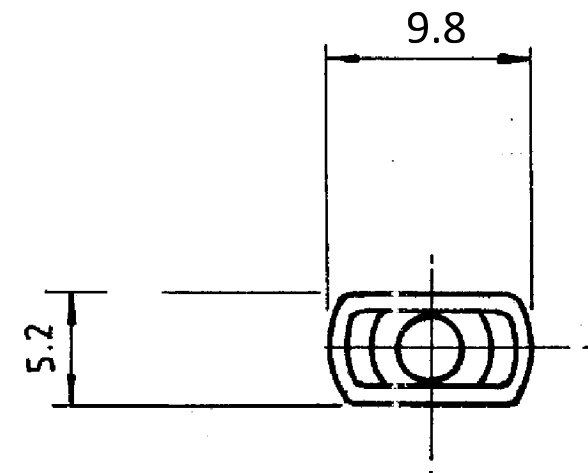


REVISIONS				
LTR	DESCRIPTION	DATE	DWN	APVD
A	REVISED PER ECO-14-010933	21JUL2014	NK	RH



1-1627013-1	INSULATOR (H1138)	5000
1-1627013-0	INSULATOR (H1138)	150
PART NO.	DESCRIPTION (UTILUX P/N)	PACK SIZE

ALL DIMENSIONS IN mm:	DWN W.RIEDE 18 FEB 08	MATERIAL PVC, FLEXIBLE CLEAR	FINISH -
TOLERANCES UNLESS OTHERWISE SPECIFIED: DIMENSION (mm) TOLERANCE(+mm) LESS THAN 10 0.4 OVER 10 TO 30 0.5 OVER 30 TO 80 0.7 OVER 80 TO 250 1.0 ANGLES REF	CHK H.THAI 18 FEB 08		
	APVD W.RIEDE 18 FEB 08		
	PRODUCT SPEC - APPLICATION SPEC - WEIGHT -	NAME INSULATOR, QC 6.3 PRE-FIT	SIZE A4
	DRAWING NO C=1627013	SCALE 2:1	SHEET 1 OF 1 REV A
CUSTOMER DRAWING			

THIS INFORMATION IS CONFIDENTIAL AND PROPRIETARY TO TYCO ELECTRONICS AND ITS WORLDWIDE SUBSIDIARIES AND AFFILIATES. IT MAY NOT BE DISCLOSED TO ANYONE OTHER THAN TYCO ELECTRONICS PERSONNEL, WITHOUT AUTHORIZATION.