

4

3

2

1

THIS DRAWING IS UNPUBLISHED.

RELEASED FOR PUBLICATION

© COPYRIGHT BY TYCO ELECTRONICS CORPORATION. ALL RIGHTS RESERVED.

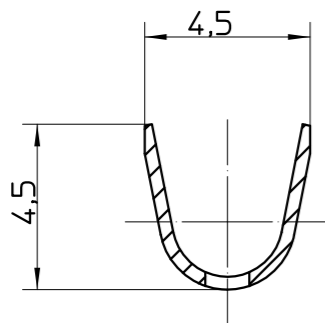
ALL RIGHTS RESERVED.

LOC

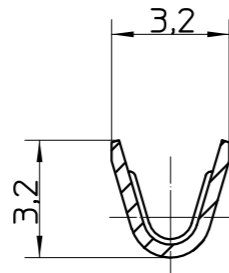
DIST

REVISIONS

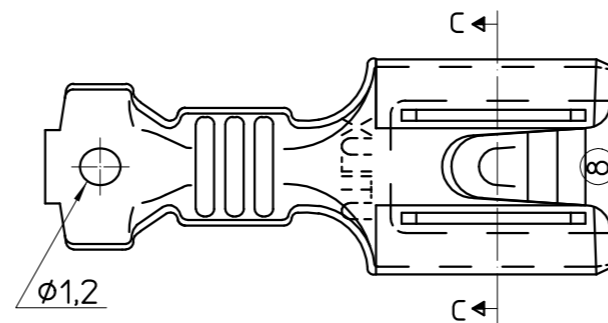
P	LTR	DESCRIPTION	DATE	DWN	APVD



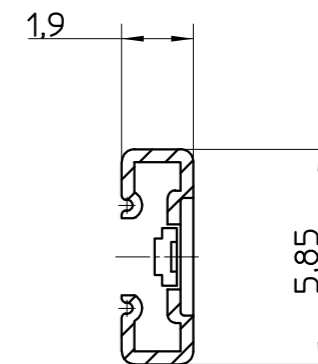
A - A



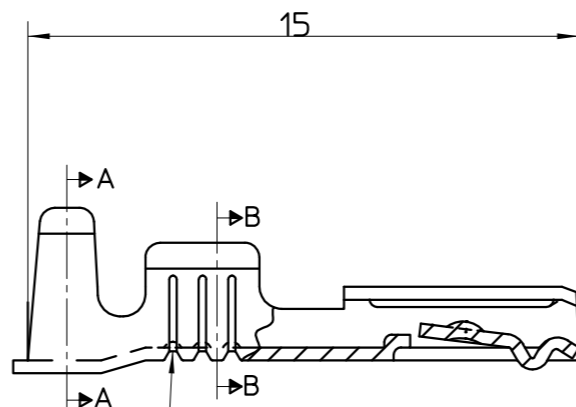
B - B



REF. NOTE 3



C - C



3 INTERNAL RIBS.

NOTES:

1. WIRE SIZE RANGE:

CONDUCTOR: 0.5 mm² - 1.0 mm²

INSULATION DIA: 2.0 mm - 3.3 mm

2. MAXIMUM CURRENT RATING: 10A

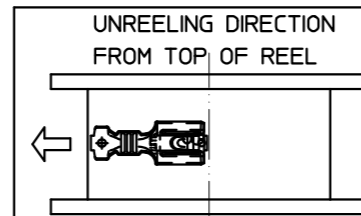
3. RECEPTACLE DESIGNED FOR 0.8mm THICK TAB.

NUMERAL '8' STAMPED IN POSITION SHOWN

4. FOR CRIMPING DETAILS REFER

TO UTILUX CRIMP CHART NO. H25453

THIS INFORMATION IS CONFIDENTIAL AND PROPRIETARY TO TYCO ELECTRONICS CORPORATION AND ITS WORLDWIDE SUBSIDIARIES AND AFFILIATES. IT MAY NOT BE DISCLOSED TO ANYONE OTHER THAN TYCO ELECTRONICS PERSONNEL WITHOUT WRITTEN PERMISSION FROM TYCO ELECTRONICS CORPORATION, HARRISBURG, PENNSYLVANIA, USA.



THIS DRAWING IS A CONTROLLED DOCUMENT.

ALL DIMENSIONS IN mm:

DIMENSION (mm)	TOLERANCE (+mm)
LESS THAN 10	0.4
OVER 10 TO 30	0.5
OVER 30 TO 80	0.7
OVER 80 TO 250	1.0
ANGLES	+2°

MATERIAL

FINISH

DWN: W.RIEDE 25.10.04

CHK: H.THAI 25.10.04

APVD: W.RIEDE 25.10.04

PRODUCT SPEC:

APPLICATION SPEC:

WEIGHT:

BRASS PRE-TIN RECEPTACLE H25453 1-1627005-0

MATERIAL DESCRIPTION PART No.

Tyco Electronics Corporation AUSTRALIA

NAME: RECEPTACLE QC 4.8x0.8

SIZE A3 CAGE CODE DRAWING NO RESTRICTED TO

A3 C=1627005

CUSTOMER DRAWING

SCALE 5:1 SHEET 1 OF 1 REV 0