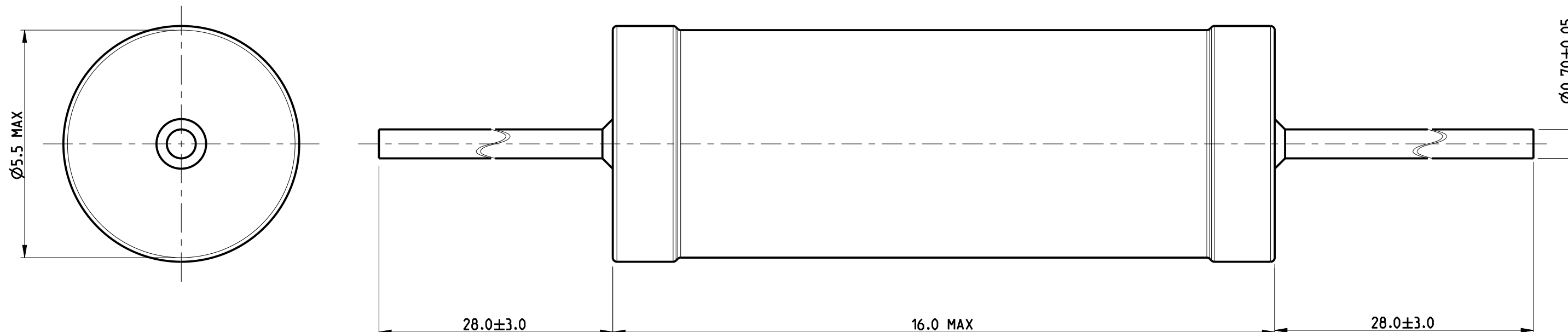


© 2020 TE Connectivity. All Rights Reserved.

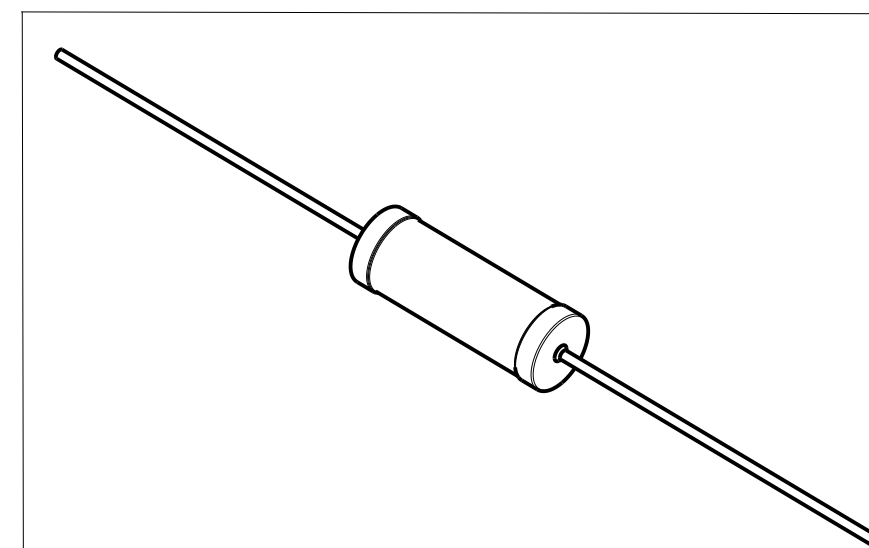
REVISIONS

P	LTR	DESCRIPTION	DATE	DWN	APVD
	BA	INITIAL RELEASE	25OCT2017	RK	TN
	BA1	ECR-20-014582	15OCT2020	SB	AP

FOR FURTHER INFORMATION SEE DATA SHEET FOR SERIES ROX. FLAME-PROOF POWER METAL OXIDE FILM RESISTORS



RoHS Compliant



THIS DRAWING IS A CONTROLLED DOCUMENT.

DIMENSIONS: mm		TOLERANCES UNLESS OTHERWISE SPECIFIED:	
		0 PLC	±0.2
		1 PLC	±0.1
		2 PLC	±0.1
		3 PLC	±0.1
MATERIAL		FINISH	
-		-	

DWN	25OCT2017
CHK	RAGHAVENDRA.K
APVD	25OCT2017
ALLAN.P	25OCT2017
TONY.N	25OCT2017
PRODUCT SPEC	-
APPLICATION SPEC	-
WEIGHT	-
CUSTOMER DRAWING	



FLAME-PROOF POWER METAL OXIDE FILM RESISTORS SERIES ROX3S

SIZE	CAGE CODE	DRAWING NO	RESTRICTED TO
A3	00779	C-1625892	
SCALE	SHEET	OF	REV
10:1	1	1	BA1