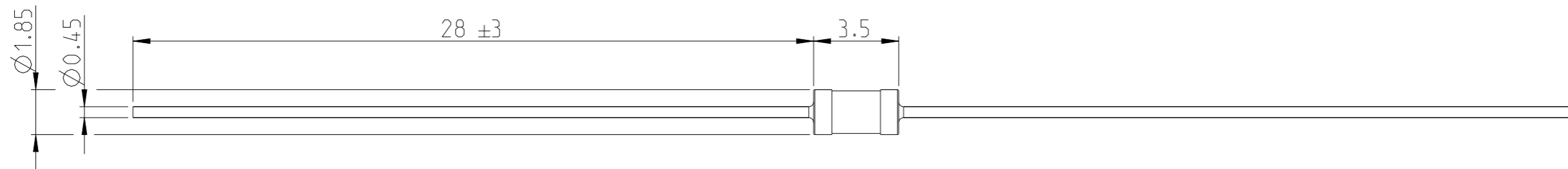


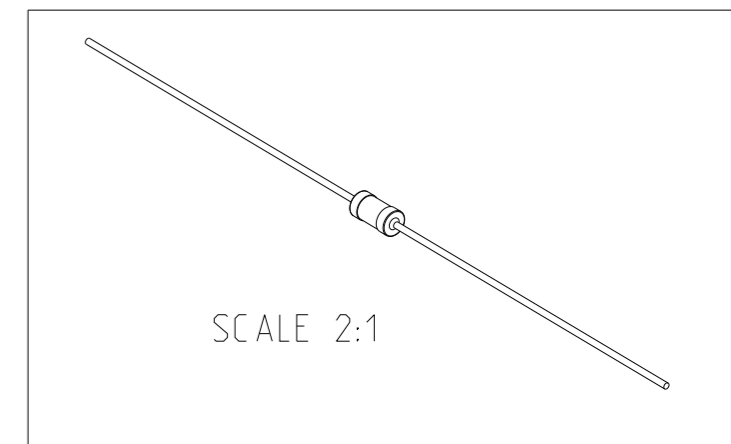
REVISIONS

P	LTR	DESCRIPTION	DATE	DWN	APVD
	BB	NEW RELEASE	14DEC2021	DM	AP

FOR FURTHER INFORMATION SEE DATA SHEET FOR
CFR SERIES-CARBON FILM FIXED RESISTORS



RoHS Compliant



THIS DRAWING IS A CONTROLLED DOCUMENT.

DWN DHEERAJ M 14DEC2021

CHK ALLAN P 14DEC2021

APVD ALLAN P 14DEC2021

PRODUCT SPEC -

APPLICATION SPEC -

WEIGHT -

CUSTOMER DRAWING



TE Connectivity

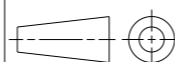
NAME RESISTOR LAB KIT TYPE CFR16 SERIES

SIZE	CAGE CODE	DRAWING NO	RESTRICTED TO
------	-----------	------------	---------------

A3	00779	C=1625873-7	-
----	-------	-------------	---

DIMENSIONS:

mm



TOLERANCES UNLESS OTHERWISE SPECIFIED:

- 0 PLC ± 0.2
- 1 PLC ± 0.1
- 2 PLC $\pm -$
- 3 PLC $\pm -$
- 4 PLC $\pm -$
- ANGLES $\pm - \pm 5^\circ$

MATERIAL

FINISH

-

-

SCALE	SHEET	OF	REV
5:1	1	2	BB


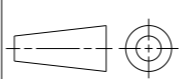
© 2021 TE Connectivity. All Rights Reserved.

REVISIONS

Part Number	Product Number	Description	Qty / Kit
3-1623927-9	CFR16J1R0	CFR16 5% 1R0	20
4-1623927-1	CFR16J1R2	CFR16 5% 1R2	20
4-1623927-2	CFR16J1R5	CFR16 5% 1R5	20
4-1623927-3	CFR16J1R8	CFR16 5% 1R8	20
7-1623927-0	CFR16J2R2	CFR16 5% 2R2	20
7-1623927-1	CFR16J2R7	CFR16 5% 2R7	20
2-1623928-0	CFR16J3R3	CFR16 5% 3R3	20
2-1623928-1	CFR16J3R9	CFR16 5% 3R9	20
3-1623928-0	CFR16J4R7	CFR16 5% 4R7	20
4-1623928-0	CFR16J5R6	CFR16 5% 5R6	20
4-1623928-9	CFR16J6R8	CFR16 5% 6R8	20
6-1623928-1	CFR16J8R2	CFR16 5% 8R2	20
1623927-5	CFR16J10R	CFR16 5% 10R	20
1-1623927-0	CFR16J12R	CFR16 5% 12R	20
1-1623927-5	CFR16J15R	CFR16 5% 15R	20
2-1623927-2	CFR16J18R	CFR16 5% 18R	20
5-1623927-2	CFR16J22R	CFR16 5% 22R	20
6-1623927-0	CFR16J27R	CFR16 5% 27R	20
1623928-8	CFR16J33R	CFR16 5% 33R	20
1-1623928-3	CFR16J39R	CFR16 5% 39R	20
2-1623928-7	CFR16J47R	CFR16 5% 47R	20
3-1623928-6	CFR16J56R	CFR16 5% 56R	20
4-1623928-5	CFR16J68R	CFR16 5% 68R	20
5-1623928-1	CFR16J75R	CFR16 5% 75R	20
5-1623928-7	CFR16J82R	CFR16 5% 82R	20
1623927-2	CFR16J100R	CFR16 5% 100R	20
1623927-8	CFR16J120R	CFR16 5% 120R	20
1-1623927-3	CFR16J150R	CFR16 5% 150R	20
1-1623927-9	CFR16J180R	CFR16 5% 180R	20
4-1623927-9	CFR16J220R	CFR16 5% 220R	20
5-1623927-6	CFR16J270R	CFR16 5% 270R	20
1623928-4	CFR16J330R	CFR16 5% 330R	20
1-1623928-1	CFR16J390R	CFR16 5% 390R	20
2-1623928-5	CFR16J470R	CFR16 5% 470R	20
3-1623928-3	CFR16J560R	CFR16 5% 560R	20
4-1623928-2	CFR16J680R	CFR16 5% 680R	20
5-1623928-5	CFR16J820R	CFR16 5% 820R	20
2-1623927-3	CFR16J1K0	CFR16 5% 1K0	20
2-1623927-6	CFR16J1K2	CFR16 5% 1K2	20
2-1623927-8	CFR16J1K5	CFR16 5% 1K5	20
3-1623927-0	CFR16J1K8	CFR16 5% 1K8	20

Part Number	Product Number	Description	Qty / Kit
6-1623927-3	CFR16J2K2	CFR16 5% 2K2	20
6-1623927-5	CFR16J2K7	CFR16 5% 2K7	20
1-1623928-5	CFR16J3K3	CFR16 5% 3K3	20
1-1623928-6	CFR16J3K9	CFR16 5% 3K9	20
2-1623928-8	CFR16J4K7	CFR16 5% 4K7	20
3-1623928-8	CFR16J5K6	CFR16 5% 5K6	20
4-1623928-8	CFR16J6K8	CFR16 5% 6K8	20
6-1623928-0	CFR16J8K2	CFR16 5% 8K2	20
1623927-4	CFR16J10K	CFR16 5% 10K	20
1623927-9	CFR16J12K	CFR16 5% 12K	20
1-1623927-4	CFR16J15K	CFR16 5% 15K	20
2-1623927-1	CFR16J18K	CFR16 5% 18K	20
5-1623927-0	CFR16J22K	CFR16 5% 22K	20
5-1623927-8	CFR16J27K	CFR16 5% 27K	20
1623928-6	CFR16J33K	CFR16 5% 33K	20
1-1623928-2	CFR16J39K	CFR16 5% 39K	20
2-1623928-6	CFR16J47K	CFR16 5% 47K	20
3-1623928-4	CFR16J56K	CFR16 5% 56K	20
4-1623928-4	CFR16J68K	CFR16 5% 68K	20
5-1623928-6	CFR16J82K	CFR16 5% 82K	20
1623927-1	CFR16J100K	CFR16 5% 100K	20
1623927-7	CFR16J120K	CFR16 5% 120K	20
1-1623927-2	CFR16J150K	CFR16 5% 150K	20
1-1623927-7	CFR16J180K	CFR16 5% 180K	20
4-1623927-8	CFR16J220K	CFR16 5% 220K	20
5-1623927-5	CFR16J270K	CFR16 5% 270K	20
1623928-3	CFR16J330K	CFR16 5% 330K	20
1-1623928-0	CFR16J390K	CFR16 5% 390K	20
2-1623928-4	CFR16J470K	CFR16 5% 470K	20
3-1623928-2	CFR16J560K	CFR16 5% 560K	20
4-1623928-1	CFR16J680K	CFR16 5% 680K	20
5-1623928-3	CFR16J820K	CFR16 5% 820K	20
3-1623927-1	CFR16J1M0	CFR16 5% 1M0	20
3-1623927-3	CFR16J1M2	CFR16 5% 1M2	20
3-1623927-6	CFR16J1M5	CFR16 5% 1M5	20
3-1623927-7	CFR16J1M8	CFR16 5% 1M8	20
6-1623927-6	CFR16J2M2	CFR16 5% 2M2	20
6-1623927-8	CFR16J2M7	CFR16 5% 2M7	20
1-1623928-7	CFR16J3M3	CFR16 5% 3M3	20
1-1623928-9	CFR16J3M9	CFR16 5% 3M9	20
2-1623928-9	CFR16J4M7	CFR16 5% 4M7	20

P	LTR	DESCRIPTION	DATE	DWN	APVD
	-	SEE SHEET 1	-	-	-

THIS DRAWING IS A CONTROLLED DOCUMENT.		DWN DHEERAJ M 14DEC 2021	 TE Connectivity	
DIMENSIONS: mm		CHK ALLAN P 14DEC 2021		
TOLERANCES UNLESS OTHERWISE SPECIFIED:		APVD ALLAN P 14DEC 2021	NAME RESISTOR LAB KIT TYPE CFR16 SERIES	
		PRODUCT SPEC -	RESTRICTED TO -	
MATERIAL -		FINISH -	APPLICATION SPEC -	SCALE 5:1
		WEIGHT -	SIZE A3	CAGE CODE 00779
		CUSTOMER DRAWING	DRAWING NO C-1625873-7	SHEET 2 OF 2
				REV BB