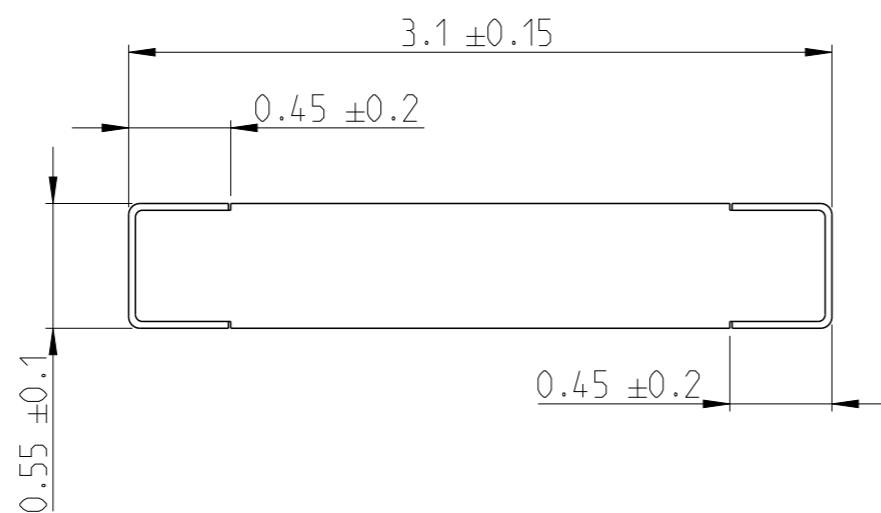
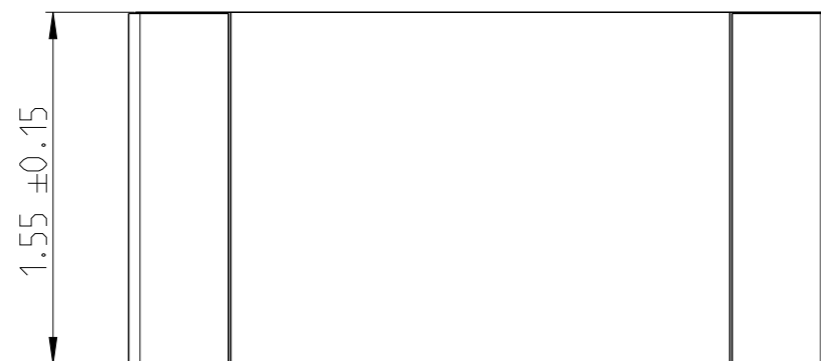


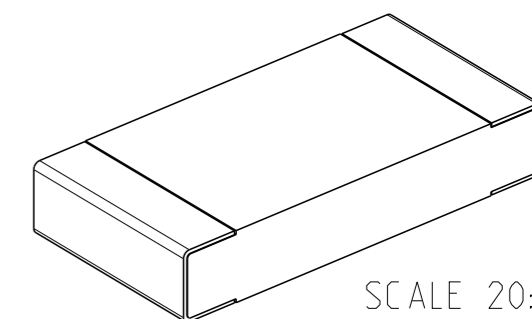
REVISIONS

P	LTR	DESCRIPTION	DATE	DWN	APVD
	BB	NEW RELEASE	15DEC2021	DM	AP

FOR FURTHER INFORMATION SEE DATA SHEET FOR
CRG SERIES-THICK FILM CHIP RESISTORS



RoHS Compliant



THIS DRAWING IS A CONTROLLED DOCUMENT.

DIMENSIONS:	
mm	
	0 PLC ± 0.5
	1 PLC ± 0.2
	2 PLC ± 0.1
	3 PLC ± -
	4 PLC ± -
	ANGLES ± - ± 5°
MATERIAL	
-	-
-	-

TOLERANCES UNLESS OTHERWISE SPECIFIED:	
0 PLC	± 0.5
1 PLC	± 0.2
2 PLC	± 0.1
3 PLC	± -
4 PLC	± -
ANGLES	± - ± 5°
FINISH	
-	-
-	-

DWN	DHEERAJ M	15DEC2021
CHK	ALLAN P	15DEC2021
APVD	ALLAN P	15DEC2021
PRODUCT SPEC	-	-
APPLICATION SPEC	-	-
WEIGHT	-	-
CUSTOMER DRAWING		


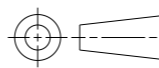
		RESISTOR LAB KIT TYPE CRG1206 SERIES	
		SIZE	CAGE CODE
A3	00779	C=1625873-6	-
SCALE 30:1		SHEET 1 OF 3	REV BB

REVISIONS

P	LTR	DESCRIPTION	DATE	DWN	APVD
	-	SEE SHEET 1	-	-	-

Part Number	Product Number	Description	Qty / Kit
1623693-1	CRG1206ZR	CRG1206 ZEROHM	100
1623406-1	CRG1206F10R	CRG1206 1% 10R	100
1623411-1	CRG1206F11R	CRG1206 1% 11R	100
1623419-1	CRG1206F12R	CRG1206 1% 12R	100
1623423-1	CRG1206F13R	CRG1206 1% 13R	100
1623429-1	CRG1206F15R	CRG1206 1% 15R	100
1623433-1	CRG1206F16R	CRG1206 1% 16R	100
1623438-1	CRG1206F18R	CRG1206 1% 18R	100
1623458-1	CRG1206F20R	CRG1206 1% 20R	100
1623463-1	CRG1206F22R	CRG1206 1% 22R	100
1623468-1	CRG1206F24R	CRG1206 1% 24R	100
1623472-1	CRG1206F27R	CRG1206 1% 27R	100
1623486-1	CRG1206F30R	CRG1206 1% 30R	100
1623490-1	CRG1206F33R	CRG1206 1% 33R	100
1623495-1	CRG1206F36R	CRG1206 1% 36R	100
1623499-1	CRG1206F39R	CRG1206 1% 39R	100
1623514-1	CRG1206F43R	CRG1206 1% 43R	100
1623519-1	CRG1206F47R	CRG1206 1% 47R	100
1623532-1	CRG1206F51R	CRG1206 1% 51R	100
1623537-1	CRG1206F56R	CRG1206 1% 56R	100
1623547-1	CRG1206F62R	CRG1206 1% 62R	100
1623551-1	CRG1206F68R	CRG1206 1% 68R	100
1623562-1	CRG1206F75R	CRG1206 1% 75R	100
1623570-1	CRG1206F82R	CRG1206 1% 82R	100
1623577-1	CRG1206F91R	CRG1206 1% 91R	100
1623403-1	CRG1206F100R	CRG1206 1% 100R	100
1623408-1	CRG1206F110R	CRG1206 1% 110R	100
1623413-1	CRG1206F120R	CRG1206 1% 120R	100
1623421-1	CRG1206F130R	CRG1206 1% 130R	100
1623427-1	CRG1206F150R	CRG1206 1% 150R	100

Part Number	Product Number	Description	Qty / Kit
1623431-1	CRG1206F160R	CRG1206 1% 160R	100
1623436-1	CRG1206F180R	CRG1206 1% 180R	100
1623456-1	CRG1206F200R	CRG1206 1% 200R	100
1623460-1	CRG1206F220R	CRG1206 1% 220R	100
1623465-1	CRG1206F240R	CRG1206 1% 240R	100
1623470-1	CRG1206F270R	CRG1206 1% 270R	100
1623484-1	CRG1206F300R	CRG1206 1% 300R	100
1623488-1	CRG1206F330R	CRG1206 1% 330R	100
1623493-1	CRG1206F360R	CRG1206 1% 360R	100
1623497-1	CRG1206F390R	CRG1206 1% 390R	100
1623511-1	CRG1206F430R	CRG1206 1% 430R	100
1623517-1	CRG1206F470R	CRG1206 1% 470R	100
1623530-1	CRG1206F510R	CRG1206 1% 510R	100
1623535-1	CRG1206F560R	CRG1206 1% 560R	100
1623545-1	CRG1206F620R	CRG1206 1% 620R	100
1623549-1	CRG1206F680R	CRG1206 1% 680R	100
1623560-1	CRG1206F750R	CRG1206 1% 750R	100
1623568-1	CRG1206F820R	CRG1206 1% 820R	100
1623575-1	CRG1206F910R	CRG1206 1% 910R	100
1623440-1	CRG1206F1K0	CRG1206 1% 1K0	100
1623441-1	CRG1206F1K1	CRG1206 1% 1K1	100
1623442-1	CRG1206F1K2	CRG1206 1% 1K2	100
1623444-1	CRG1206F1K3	CRG1206 1% 1K3	100
1623446-1	CRG1206F1K5	CRG1206 1% 1K5	100
1623447-1	CRG1206F1K6	CRG1206 1% 1K6	100
1623448-1	CRG1206F1K8	CRG1206 1% 1K8	100
1623474-1	CRG1206F2K0	CRG1206 1% 2K0	100
1623475-1	CRG1206F2K2	CRG1206 1% 2K2	100
1623477-1	CRG1206F2K4	CRG1206 1% 2K4	100
1623478-1	CRG1206F2K7	CRG1206 1% 2K7	100
1623500-1	CRG1206F3K0	CRG1206 1% 3K0	100


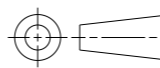
THIS DRAWING IS A CONTROLLED DOCUMENT.		DWN DHEERA J M 15DEC 2021	 TE Connectivity NAME RESISTOR LAB KIT TYPE CRG1206 SERIES	
DIMENSIONS: mm		CHK ALLAN P 15DEC 2021		
		APVD ALLAN P 15DEC 2021		
TOLERANCES UNLESS OTHERWISE SPECIFIED:		PRODUCT SPEC	SIZE	
0 PLC ± 0.5		-	CAGE CODE	
1 PLC ± 0.2		APPLICATION SPEC	DRAWING NO	
2 PLC ± 0.1		-	RESTRICTED TO	
3 PLC ± -		WEIGHT	A3 00779 ©=1625873-6	
4 PLC ± -		-	SCALE 30:1 SHEET 2 OF 3 REV BB	
ANGLES ± 5°		CUSTOMER DRAWING		
MATERIAL -				
FINISH -				

REVISIONS

P	LTR	DESCRIPTION	DATE	DWN	APVD
	-	SEE SHEET 1	-	-	-

Part Number	Product Number	Description	Qty / Kit
1623502-1	CRG1206F3K3	CRG1206 1% 3K3	100
1623504-1	CRG1206F3K6	CRG1206 1% 3K6	100
1623505-1	CRG1206F3K9	CRG1206 1% 3K9	100
1623523-1	CRG1206F4K3	CRG1206 1% 4K3	100
1623525-1	CRG1206F4K7	CRG1206 1% 4K7	100
1623538-1	CRG1206F5K1	CRG1206 1% 5K1	100
1623541-1	CRG1206F5K6	CRG1206 1% 5K6	100
1623553-1	CRG1206F6K2	CRG1206 1% 6K2	100
1623554-1	CRG1206F6K8	CRG1206 1% 6K8	100
1623565-1	CRG1206F7K5	CRG1206 1% 7K5	100
1623573-1	CRG1206F8K2	CRG1206 1% 8K2	100
1623579-1	CRG1206F9K1	CRG1206 1% 9K1	100
1623404-1	CRG1206F10K	CRG1206 1% 10K	100
1-1623409-0	CRG1206F11K	CRG1206 1% 11K	100
1623417-1	CRG1206F12K	CRG1206 1% 12K	100
1623422-1	CRG1206F13K	CRG1206 1% 13K	100
1623428-1	CRG1206F15K	CRG1206 1% 15K	100
1623432-1	CRG1206F16K	CRG1206 1% 16K	100
1623437-1	CRG1206F18K	CRG1206 1% 18K	100
1623457-1	CRG1206F20K	CRG1206 1% 20K	100
1623461-1	CRG1206F22K	CRG1206 1% 22K	100
1623467-1	CRG1206F24K	CRG1206 1% 24K	100
1623471-1	CRG1206F27K	CRG1206 1% 27K	100
1623485-1	CRG1206F30K	CRG1206 1% 30K	100
1623489-1	CRG1206F33K	CRG1206 1% 33K	100
1623494-1	CRG1206F36K	CRG1206 1% 36K	100
1623498-1	CRG1206F39K	CRG1206 1% 39K	100
1623512-1	CRG1206F43K	CRG1206 1% 43K	100
1623518-1	CRG1206F47K	CRG1206 1% 47K	100
1623531-1	CRG1206F51K	CRG1206 1% 51K	100

Part Number	Product Number	Description	Qty / Kit
1623536-1	CRG1206F56K	CRG1206 1% 56K	100
1623546-1	CRG1206F62K	CRG1206 1% 62K	100
1623550-1	CRG1206F68K	CRG1206 1% 68K	100
1623561-1	CRG1206F75K	CRG1206 1% 75K	100
1623569-1	CRG1206F82K	CRG1206 1% 82K	100
1623576-1	CRG1206F91K	CRG1206 1% 91K	100
1623402-1	CRG1206F100K	CRG1206 1% 100K	100
1623407-1	CRG1206F110K	CRG1206 1% 110K	100
1623412-1	CRG1206F120K	CRG1206 1% 120K	100
1623420-1	CRG1206F130K	CRG1206 1% 130K	100
1623426-1	CRG1206F150K	CRG1206 1% 150K	100
1623430-1	CRG1206F160K	CRG1206 1% 160K	100
1623435-1	CRG1206F180K	CRG1206 1% 180K	100
1623455-1	CRG1206F200K	CRG1206 1% 200K	100
1623459-1	CRG1206F220K	CRG1206 1% 220K	100
1623464-1	CRG1206F240K	CRG1206 1% 240K	100
1623469-1	CRG1206F270K	CRG1206 1% 270K	100
1623483-1	CRG1206F300K	CRG1206 1% 300K	100
1623487-1	CRG1206F330K	CRG1206 1% 330K	100
1623492-1	CRG1206F360K	CRG1206 1% 360K	100
1623496-1	CRG1206F390K	CRG1206 1% 390K	100
1623510-1	CRG1206F430K	CRG1206 1% 430K	100
1623516-1	CRG1206F470K	CRG1206 1% 470K	100
1623529-1	CRG1206F510K	CRG1206 1% 510K	100
1623534-1	CRG1206F560K	CRG1206 1% 560K	100
1623544-1	CRG1206F620K	CRG1206 1% 620K	100
1623548-1	CRG1206F680K	CRG1206 1% 680K	100
1623559-1	CRG1206F750K	CRG1206 1% 750K	100
1623567-1	CRG1206F820K	CRG1206 1% 820K	100
1623574-1	CRG1206F910K	CRG1206 1% 910K	100
1623450-1	CRG1206F1M0	CRG1206 1% 1M0	100

THIS DRAWING IS A CONTROLLED DOCUMENT.		DWN DHEERA J M 15DEC 2021	 TE Connectivity	
DIMENSIONS: mm		CHK ALLAN P 15DEC 2021		
		APVD ALLAN P 15DEC 2021	NAME RESISTOR LAB KIT TYPE CRG1206 SERIES	
TOLERANCES UNLESS OTHERWISE SPECIFIED: 0 PLC ± 0.5 1 PLC ± 0.2 2 PLC ± 0.1 3 PLC ± - 4 PLC ± - ANGLES ± 5°		PRODUCT SPEC -	APPLICATION SPEC -	
MATERIAL -	FINISH -	WEIGHT -	SIZE A3	CAGE CODE 00779
		DRAWING NO C=1625873-6		RESTRICTED TO -
		CUSTOMER DRAWING		SCALE 30:1
		SHEET 3 OF 3		REV BB