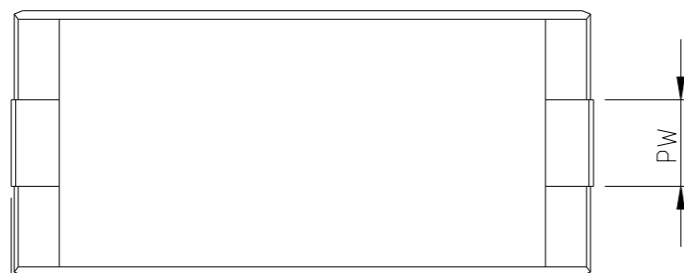
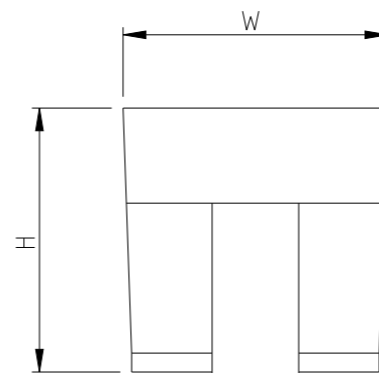


P	LTR	DESCRIPTION	DATE	DWN	APVD
	BA	NEW RELEASE	24JAN2011	PT	St.P
	BA1	DIMENSION SCHEDULE ADDED	01AUG2022	DM	AP

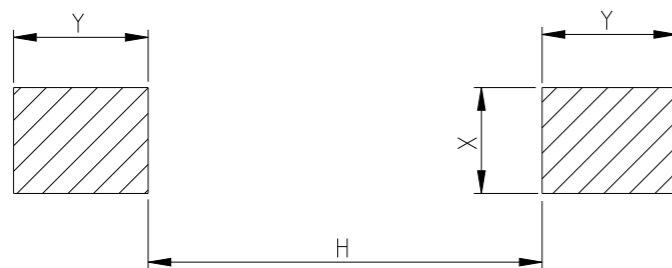
FOR FURTHER INFORMATION REFER TO CGSSL DATA SHEET



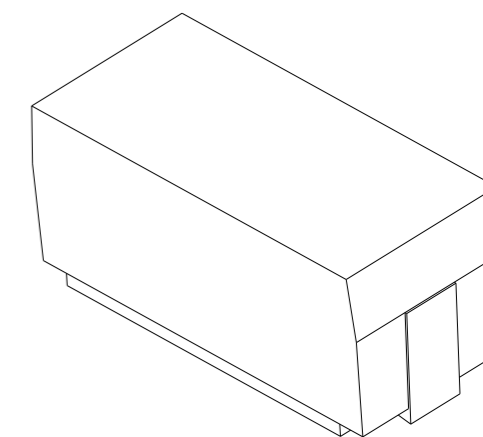
FLAT LEAD THICKNESS

TYPE	LENGTH (L)	WIDTH (W)	HEIGHT (H)	STAND OFF (S)	PAD WIDTH (PW)	PAD LENGTH (PL)	FLAT LEAD THICKNESS
		±0.38	±0.13	±0.38	±0.13	±0.38	±0.25
CGSSL1	6.48	3.81	2.84	0.13	1.27	0.89	0.15
CGSSL2	11.6	5.84	5.33	0.13	1.65	1.78	0.15
CGSSL3	14.6	6.98	6.48	0.13	1.9	1.27	0.15

RECOMMENDED LAND PATTERN



TYPE	H	X	Y
CGSSL1	3.81	1.65	2.16
CGSSL2	7.11	2.29	2.92
CGSSL3	11.8	2.67	2.41



THIS DRAWING IS A CONTROLLED DOCUMENT.

DWN 24 JAN 2011  
 PARUSURAM.T  
 CHK 24 JAN 2011  
 ALLAN.P  
 APVD 24 JAN 2011  
 STEPHEN.P



NAME SMD PRECISION CURRENT SENSE RESISTOR  
 TYPE CGSSL SERIES

DIMENSIONS:  
 mm

TOLERANCES UNLESS OTHERWISE SPECIFIED:  
 0 PLC ±0.2  
 1 PLC ±0.1  
 2 PLC ±  
 3 PLC ±  
 4 PLC ±  
 ANGLES ±5°  
 MATERIAL -  
 FINISH -

PRODUCT SPEC -  
 APPLICATION SPEC -  
 WEIGHT -  
 CUSTOMER DRAWING

SIZE A3 CAGE CODE 00779 DRAWING NO. C=1624250 RESTRICTED TO -  
 SCALE 5:1 SHEET 1 OF 2 REV BA1

REVISIONS

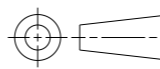
P	LTR	DESCRIPTION	DATE	DWN	APVD
-		SEE SHEET 1	-	-	-

SCHEDULE

TCPN	CATALOGUE NUMBER	PART DESCRIPTION	PART STATUS
1624250-1	CGSSL1R005J	CGS SL1 R005 5% TAPED	PRODUCTION
1624250-2	CGSSL1R015J	CGS SL1 R015 5% TAPED	PRODUCTION
1624250-3	CGSSL1R01J	CGS SL1 R01 5% TAPED	PRODUCTION
1624250-4	CGSSL1R022J	CGS SL1 R022 5% TAPED	PRODUCTION
1624250-5	CGSSL1R033J	CGS SL1 R033 5% TAPED	PRODUCTION
1624250-6	CGSSL1R047J	CGS SL1 R047 5% TAPED	PRODUCTION
1624250-7	CGSSL1R051J	CGS SL1 R051 5% TAPED	PRODUCTION
1624250-8	CGSSL1R068J	CGS SL1 R068 5% TAPED	PRODUCTION
1624250-9	CGSSL2R005J	CGS SL2 R005 5% TAPED	DISCONTINUED
1-1624250-0	CGSSL2R015J	CGS SL2 R015 5% TAPED	PRODUCTION
1-1624250-1	CGSSL2R01J	CGS SL2 R01 5% TAPED	PRODUCTION
1-1624250-2	CGSSL2R022J	CGS SL2 R022 5% TAPED	PRODUCTION
1-1624250-3	CGSSL2R033J	CGS SL2 R033 5% TAPED	PRODUCTION
1-1624250-4	CGSSL2R047J	CGS SL2 R047 5% TAPED	PRODUCTION
1-1624250-5	CGSSL2R051J	CGS SL2 R051 5% TAPED	PRODUCTION
1-1624250-6	CGSSL2R068J	CGS SL2 R068 5% TAPED	PRODUCTION
1-1624250-7	CGSSL3R005J	CGS SL3 R005 5% TAPED	PRODUCTION
1-1624250-8	CGSSL3R015J	CGS SL3 R015 5% TAPED	PRODUCTION
1-1624250-9	CGSSL3R01J	CGS SL3 R01 5% TAPED	PRODUCTION
2-1624250-0	CGSSL3R022J	CGS SL3 R022 5% TAPED	PRODUCTION
2-1624250-1	CGSSL3R033J	CGS SL3 R033 5% TAPED	PRODUCTION
2-1624250-2	CGSSL3R047J	CGS SL3 R047 5% TAPED	PRODUCTION
2-1624250-3	CGSSL3R051J	CGS SL3 R051 5% TAPED	PRODUCTION
2-1624250-4	CGSSL3R068J	CGS SL3 R068 5% TAPED	PRODUCTION

THIS DRAWING IS A CONTROLLED DOCUMENT.

DIMENSIONS:  
mm



TOLERANCES UNLESS OTHERWISE SPECIFIED:

0 PLC	±0.2
1 PLC	±0.1
2 PLC	±
3 PLC	±
4 PLC	±
ANGLES	±5°

MATERIAL

-

FINISH

-

DWN 24 JAN 2011

PARUSURAM.T

CHK 24 JAN 2011

ALLAN.P

APVD 24 JAN 2011

STEPHEN.P

PRODUCT SPEC

APPLICATION SPEC

WEIGHT

-

CUSTOMER DRAWING



TE Connectivity

NAME SMD PRECISION CURRENT SENSE RESISTOR TYPE CGSSL SERIES

SIZE	CAGE CODE	DRAWING NO	RESTRICTED TO
------	-----------	------------	---------------

A3	00779	CG-1624250	-
----	-------	------------	---

SCALE 5:1	SHEET 2 OF 2	REV BA1
-----------	--------------	---------