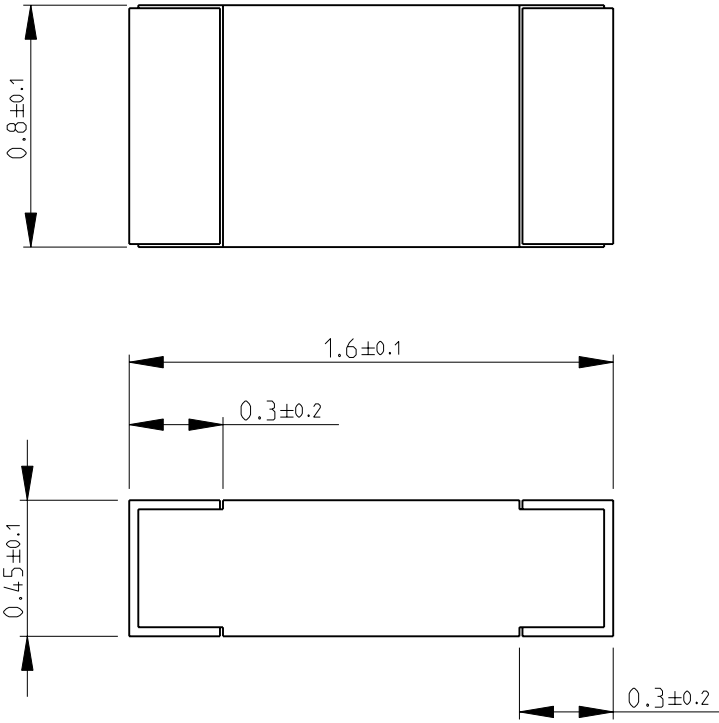
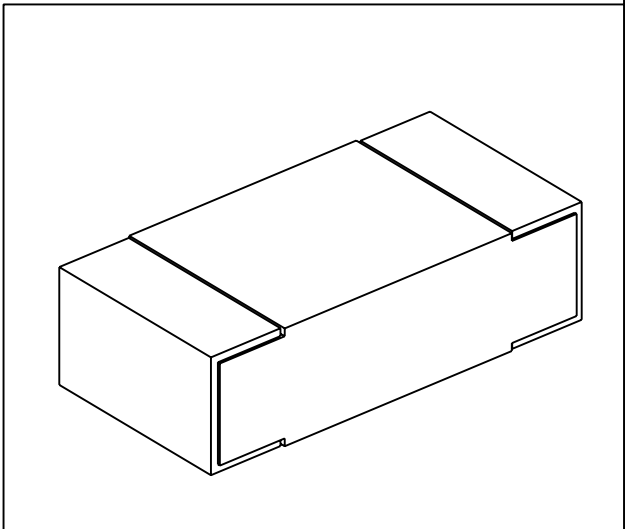


LOC	DIST	REVISIONS					
E	B	P	LTR	DESCRIPTION	DATE	DWN	APVD
		BA1		REVISED PER ECO-11-005150	29MAR2011	RK	HMR

- 1 PACKAGING- 1000 PIECES PER REEL
- 2 FOR FURTHER INFORMATION SEE DATA SHEET FOR 3640 SERIES-HIGH FREQUENCY INDUCTORS



RoHS Compliant



2008


RELEASED FOR PUBLICATION

ALL RIGHTS RESERVED.

THIS DRAWING IS UNPUBLISHED.

BY -

© COPYRIGHT 2008

DIMENSIONS: mm	DWN	SUBHASH.M	10-Sep-08	MATERIAL	-	FINISH	-
	CHK	PRAKASH.S	10-Sep-08	 TE Connectivity			
TOLERANCES UNLESS OTHERWISE SPECIFIED:	APVD	STEPHEN.P	10-Sep-08				
	0 PLC	±0.2	PRODUCT SPEC	-	SIZE	CAGE CODE	DRAWING NO
1 PLC	±0.1	APPLICATION SPEC	-	A 4	00779	© = 1624109	-
2 PLC	±	WEIGHT	-	CUSTOMER DRAWING			
3 PLC	±			SCALE	40:1	SHEET	1 OF 1
4 PLC	±						
ANGLES	±5°			REV BA1			