

4

3

2

1

THIS DRAWING IS UNPUBLISHED.

RELEASED FOR PUBLICATION

2009

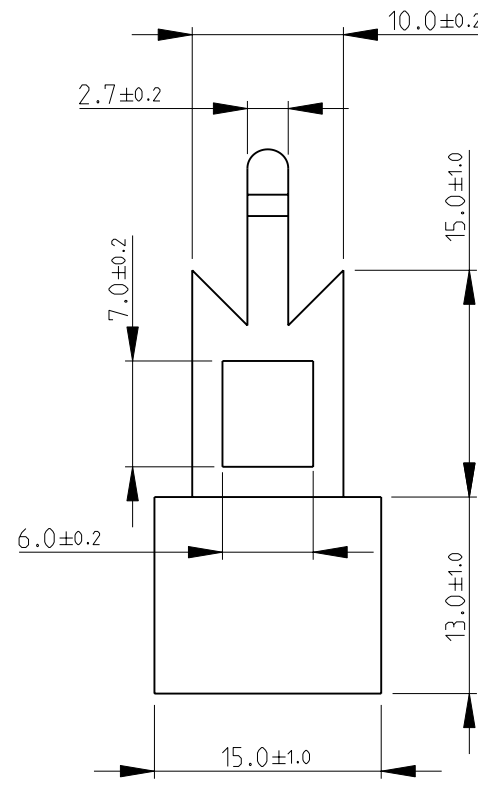
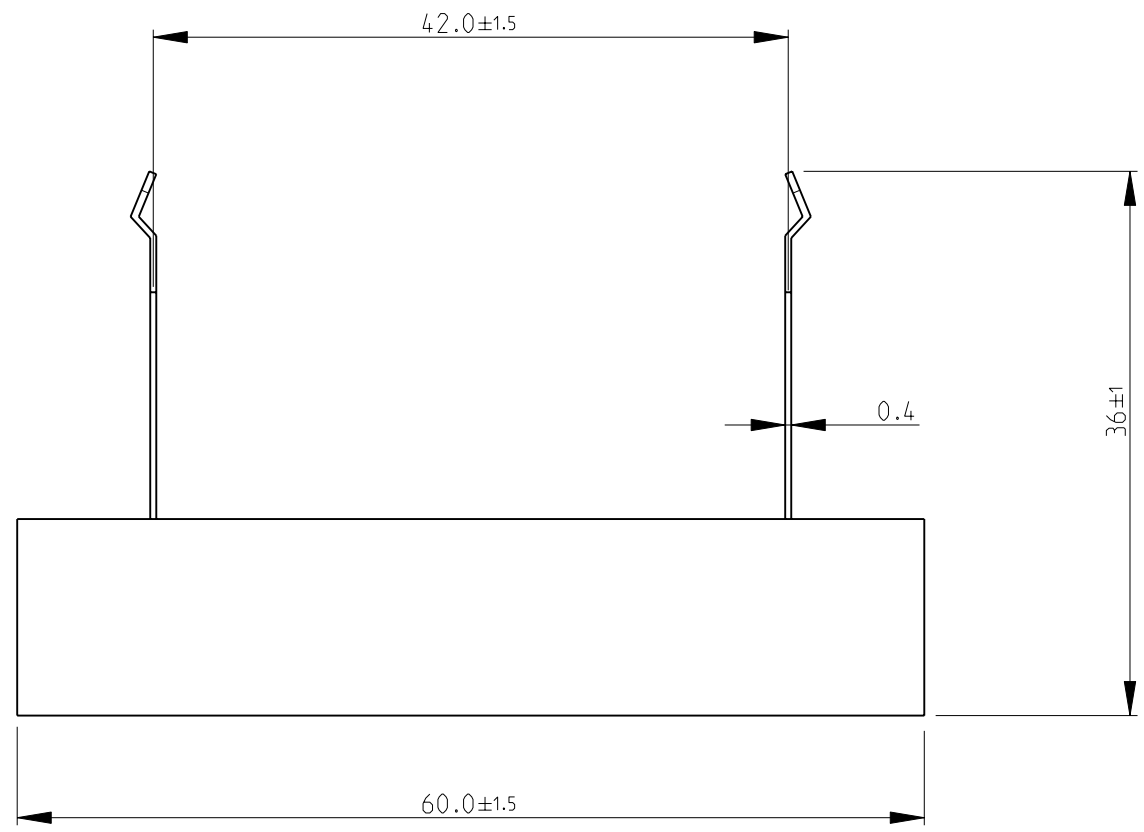
© COPYRIGHT 2009

BY TYCO ELECTRONICS CORPORATION. ALL INTERNATIONAL RIGHTS RESERVED.

LOC E DIST B

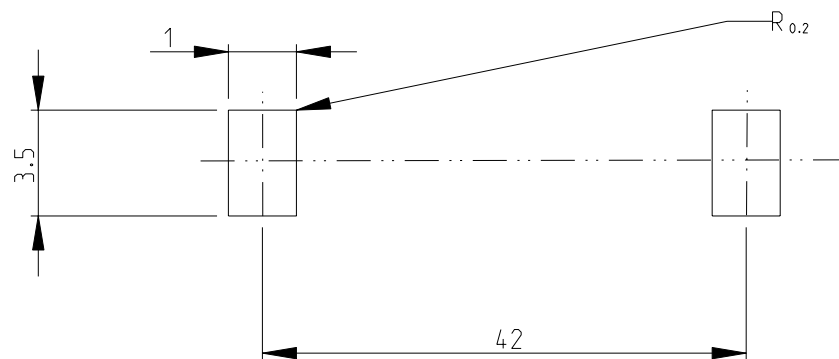
REVISIONS

P	LTR	DESCRIPTION	DATE	DWN	APVD
	BA	NEW RELEASE	14OCT2010	PT	St.P

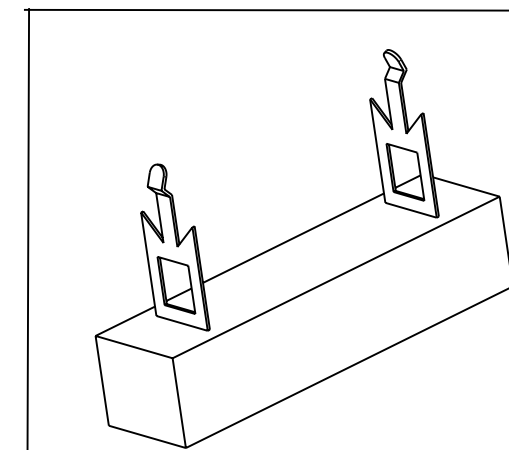


FOR FURTHER INFORMATION SEE DATA SHEET FOR HIGH POWER RESISTORS OF SQ SERIES

P.C.B HOLE DIMENSIONS



RoHS Compliant



THIS DRAWING IS A CONTROLLED DOCUMENT FOR TYCO ELECTRONICS CORPORATION IT IS SUBJECT TO CHANGE AND THE CONTROLLING ENGINEERING ORGANIZATION SHOULD BE CONTACTED FOR THE LATEST REVISION.		DWN PARUSURAM.T 14OCT2010	Tyco Electronics Corporation Dorcan, Swindon, SN3 5HH	
DIMENSIONS: mm		CHK ALLAN.P 14OCT2010		
TOLERANCES UNLESS OTHERWISE SPECIFIED:		APVD STEPHEN.P 14OCT2010	NAME HIGH POWER RESISTORS SERIES SQZ20	
0 PLC ±0.2		PRODUCT SPEC -	APPLICATION SPEC -	
1 PLC ±0.1		WEIGHT -	SIZE A3	CAGE CODE 00779
2 PLC ±		DRAWING NO C=1623799		RESTRICTED TO -
3 PLC ±		CUSTOMER DRAWING		
4 PLC ±		SCALE 1:1		
ANGLES ±5°		SHEET 1 OF 1		
FINISH -		REV BA		