

4

3

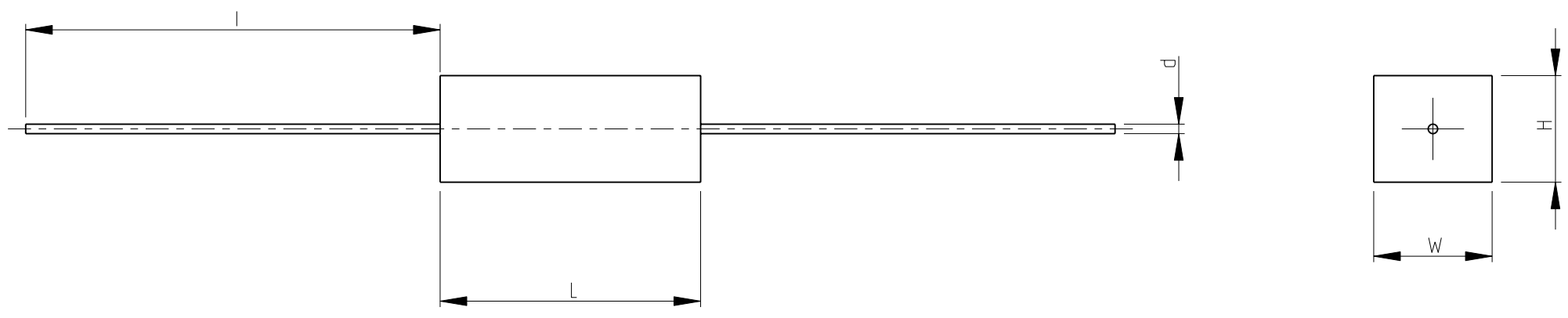
2

1

THIS DRAWING IS UNPUBLISHED. RELEASED FOR PUBLICATION 2009
 © COPYRIGHT 2009 BY TYCO ELECTRONICS CORPORATION. ALL RIGHTS RESERVED.

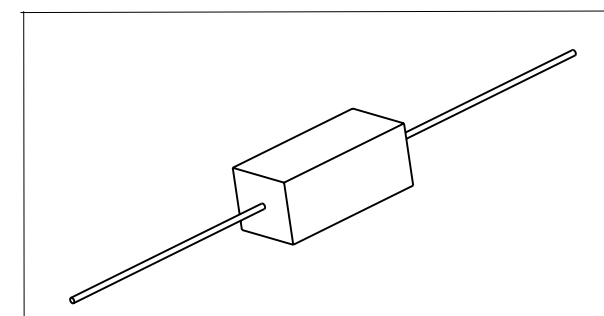
| LOC | DIST | REVISIONS | | | |
|-----|------|-------------|-------------|-----------|---------|
| P | LTR | DESCRIPTION | DATE | DWN | APVD |
| E | B | BA | NEW RELEASE | 13OCT2010 | PT St.P |

FOR FURTHER INFORMATION SEE DATA SHEET FOR HIGH POWER RESISTORS OF SQ SERIES



RoHS Compliant

| | | | | | |
|------------|--------------|-------------|-----------|-----------|--------------|
| 35 | 0.8 | 48 | 11.5 | 12.5 | 15W |
| 35 | 0.8 | 48 | 9 | 10 | 10W |
| 35 | 0.8 | 35 | 9 | 10 | 7W |
| 35 | 0.8 | 22 | 9 | 10 | 5W |
| 23 | 0.65 | 18 | 7 | 7 | 2W |
| $l \pm 3$ | $d \pm 0.05$ | $L \pm 1.5$ | $H \pm 1$ | $W \pm 1$ | POWER RATING |
| DIMENSIONS | | | | | |



| | | | | | |
|---|--|--|--|--|--|
| <small>THIS DRAWING IS A CONTROLLED DOCUMENT FOR TYCO ELECTRONICS CORPORATION IT IS SUBJECT TO CHANGE AND THE CONTROLLING ENGINEERING ORGANIZATION SHOULD BE CONTACTED FOR THE LATEST REVISION.</small> | | DWN PARUSURAM.T 13OCT2010 CHK ALLAN.P 13OCT2010 APVD STEPHEN.P 13OCT2010 | | Tyco Electronics Corporation Dorcan, Swindon, SN3 5HH | |
| DIMENSIONS: mm | | TOLERANCES UNLESS OTHERWISE SPECIFIED: 0 PLC ±0.2 1 PLC ±0.1 2 PLC ±- 3 PLC ±- 4 PLC ±- ANGLES ±5° | | NAME HIGH POWER RESISTORS SERIES SQP | |
| MATERIAL - | | FINISH - | | PRODUCT SPEC - APPLICATION SPEC - WEIGHT - | |
| | | CUSTOMER DRAWING | | SIZE A3 CAGE CODE 00779 DRAWING NO C-1623795 RESTRICTED TO - | |
| | | | | SCALE 1:1 SHEET 1 OF 1 REV BA | |