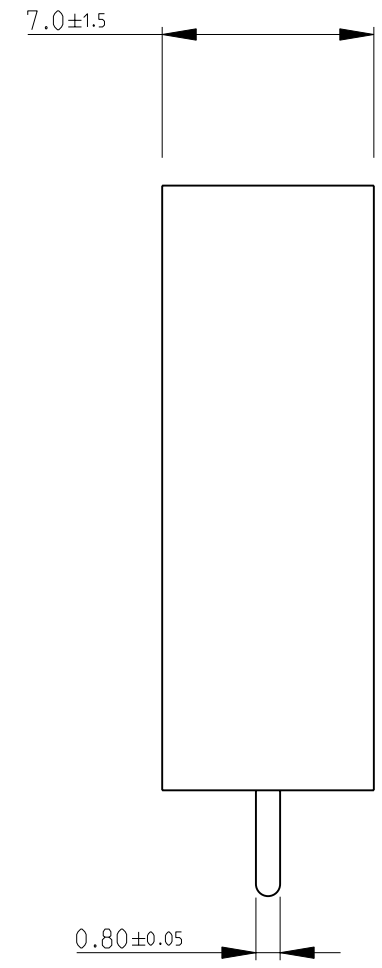
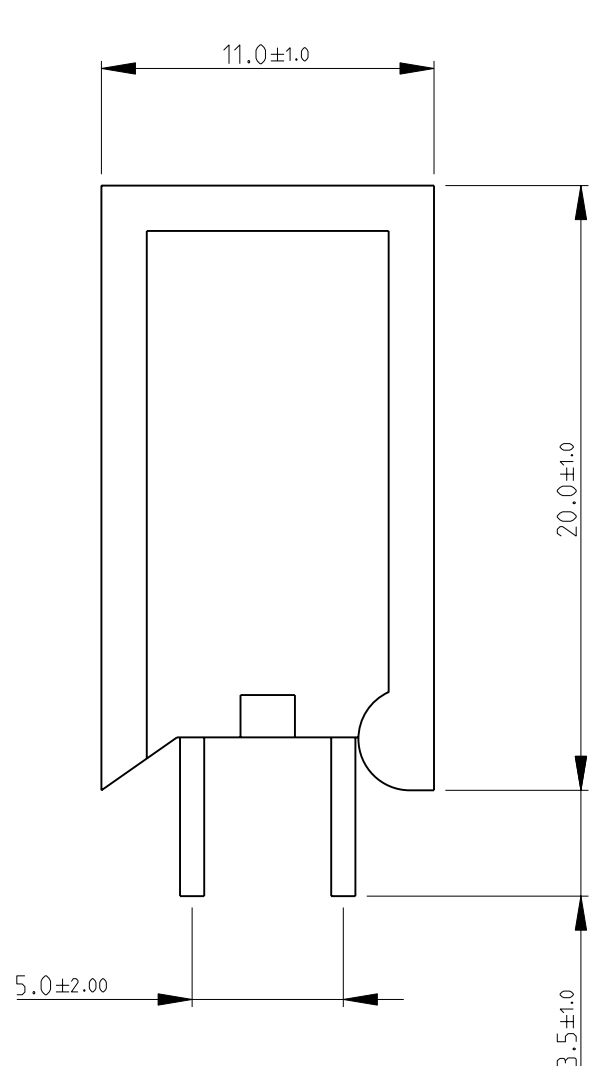


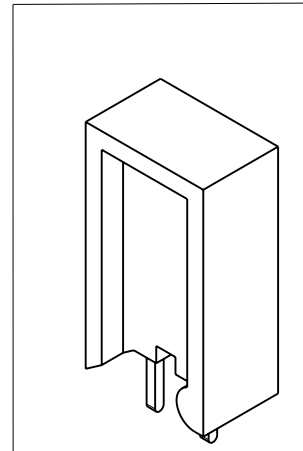
THIS DRAWING IS UNPUBLISHED. RELEASED FOR PUBLICATION 2009  
 © COPYRIGHT 2009 BY TYCO ELECTRONICS CORPORATION. ALL RIGHTS RESERVED.

LOC	DIST	REVISIONS			
P	LTR	DESCRIPTION	DATE	DWN	APVD
E	B	BA	NEW RELEASE	12OCT2010	PT St.P



1. FOR FURTHER INFORMATION SEE DATA SHEET FOR 3650 SERIES-LOW INDUCTANCE, HIGH FREQUENCY CHIP INDUCTOR

RoHS Compliant



THIS DRAWING IS A CONTROLLED DOCUMENT FOR TYCO ELECTRONICS CORPORATION IT IS SUBJECT TO CHANGE AND THE CONTROLLING ENGINEERING ORGANIZATION SHOULD BE CONTACTED FOR THE LATEST REVISION.		DWN PARUSURAM.T 12OCT2010	Tyco Electronics Corporation Dorcan, Swindon, SN3 5HH	
DIMENSIONS: mm		CHK ALLAN.P 12OCT2010	NAME HIGH POWER RESISTORS SERIES SQM2	
TOLERANCES UNLESS OTHERWISE SPECIFIED:		APVD STEPHEN.P 12OCT2010	SIZE A3	CAGE CODE 00779
0 PLC ±0.2	1 PLC ±0.1	PRODUCT SPEC -	DRAWING NO C-1623784	RESTRICTED TO -
2 PLC ±-	3 PLC ±-	APPLICATION SPEC -	SCALE 1:1 SHEET 1 OF 1 REV BA	
4 PLC ±-	ANGLES ±5°	WEIGHT -	CUSTOMER DRAWING	
MATERIAL -	FINISH -			