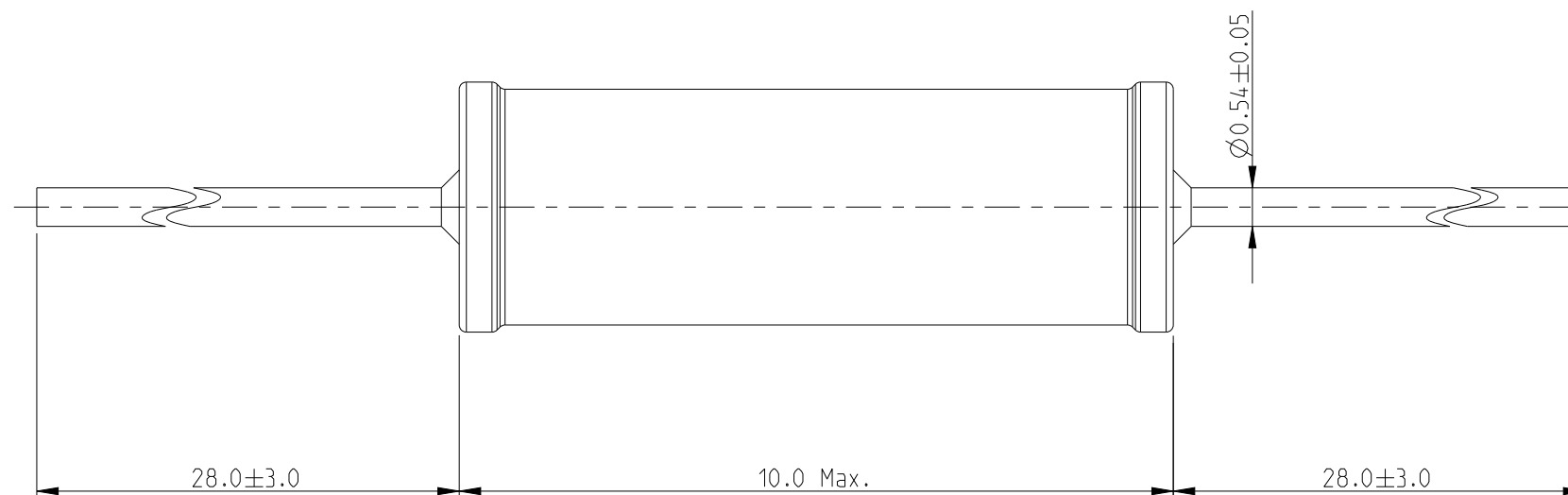
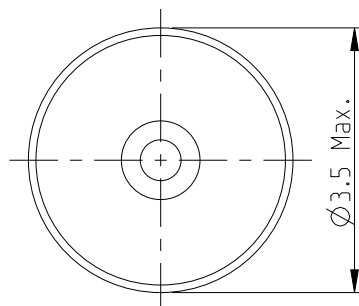


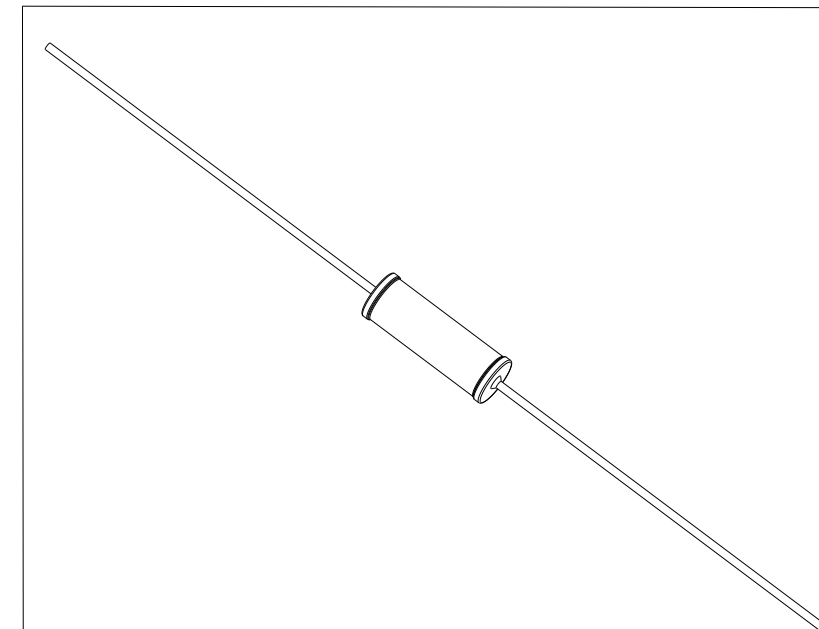
REVISIONS

P	LTR	DESCRIPTION	DATE	DWN	APVD
	BA	NEW RELEASE	07JULY2010	PT	St.P
	BB	CLARIFICATION OF DIMENSIONS	18JAN2023	DM	AP

FOR FURTHER INFORMATION SEE DATA SHEET FOR SERIES LR, METAL FILM FIXED RESISTORS



RoHS Compliant



THIS DRAWING IS A CONTROLLED DOCUMENT.

DWN 07 JULY 2010  
 PARUSURAM.T  
 CHK 07 JULY 2010  
 ALLAN.P  
 APVD 07 JULY 2010  
 STEPHEN.P



DIMENSIONS:	TOLERANCES UNLESS OTHERWISE SPECIFIED:
mm	
	0 PLC $\pm 0.2$
	1 PLC $\pm 0.1$
	2 PLC $\pm$
	3 PLC $\pm$
	4 PLC $\pm$
	ANGLES $\pm 5^\circ$

PRODUCT SPEC -  
 APPLICATION SPEC -  
 WEIGHT -

METAL FILM FIXED RESISTORS SERIES LR2

MATERIAL - FINISH -

SIZE	CAGE CODE	DRAWING NO	RESTRICTED TO
A3	00779	C=1622791	-

CUSTOMER DRAWING SCALE 10:1 SHEET 1 OF 1 REV BB