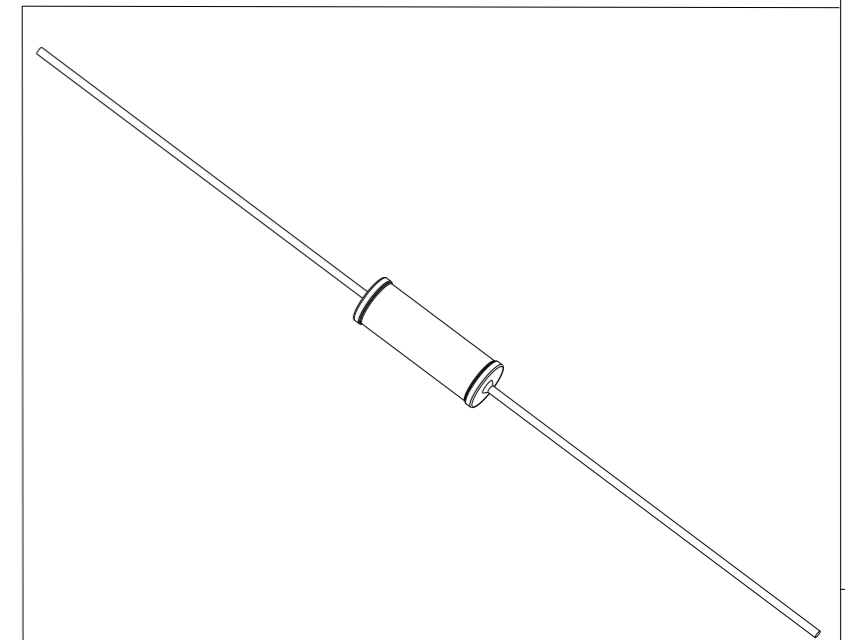
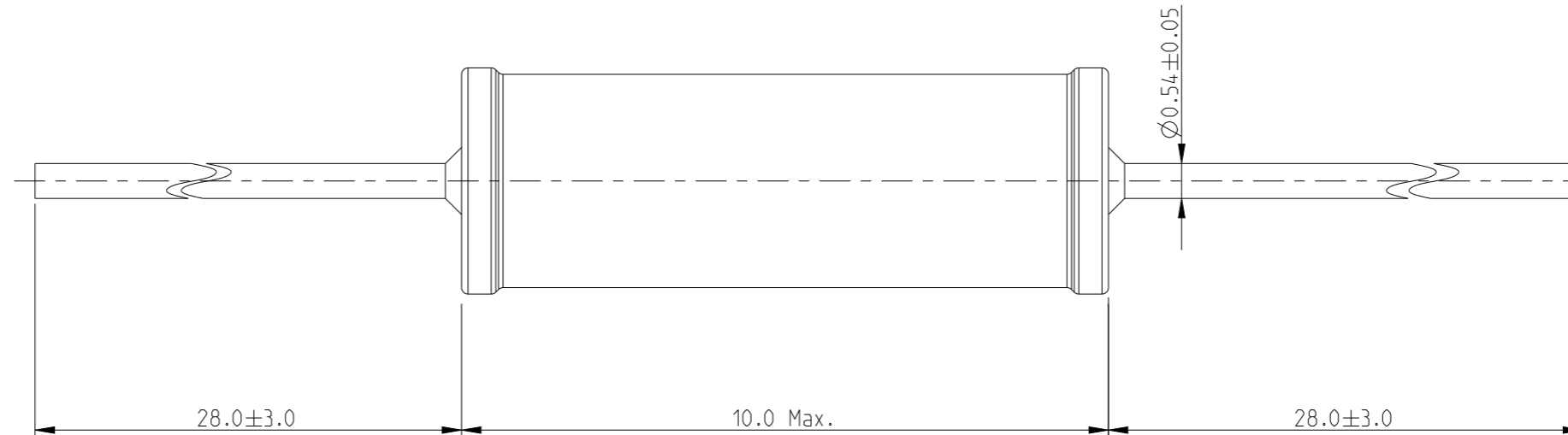
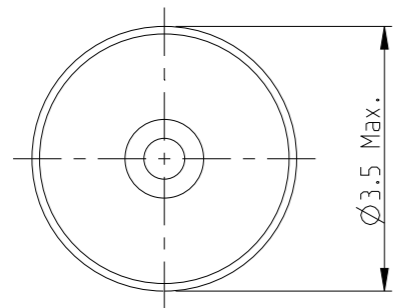


REVISIONS

P	LTR	DESCRIPTION	DATE	DWN	APVD
	BA	NEW RELEASE	06JULY2010	PT	St.P
	BB	CLARIFICATION OF DIMENSIONS	18JAN2023	DM	AP

FOR FURTHER INFORMATION SEE DATA SHEET FOR SERIES LR, METAL FILM FIXED RESISTORS



RoHS Compliant

THIS DRAWING IS A CONTROLLED DOCUMENT.

DWN 06JULY2010  
PARUSURAM.T

CHK 06JULY2010  
ALLAN.P

APVD 06JULY2010  
STEPHEN.P

PRODUCT SPEC -

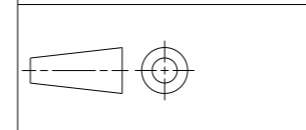
APPLICATION SPEC -

WEIGHT -

CUSTOMER DRAWING

DIMENSIONS:  
mm

TOLERANCES UNLESS OTHERWISE SPECIFIED:



MATERIAL -

FINISH -



NAME METAL FILM FIXED RESISTORS  
SERIES LR2

SIZE CAGE CODE DRAWING NO RESTRICTED TO

A3 00779 C=1622774 -

SCALE 10:1 SHEET 1 OF 1 REV BB