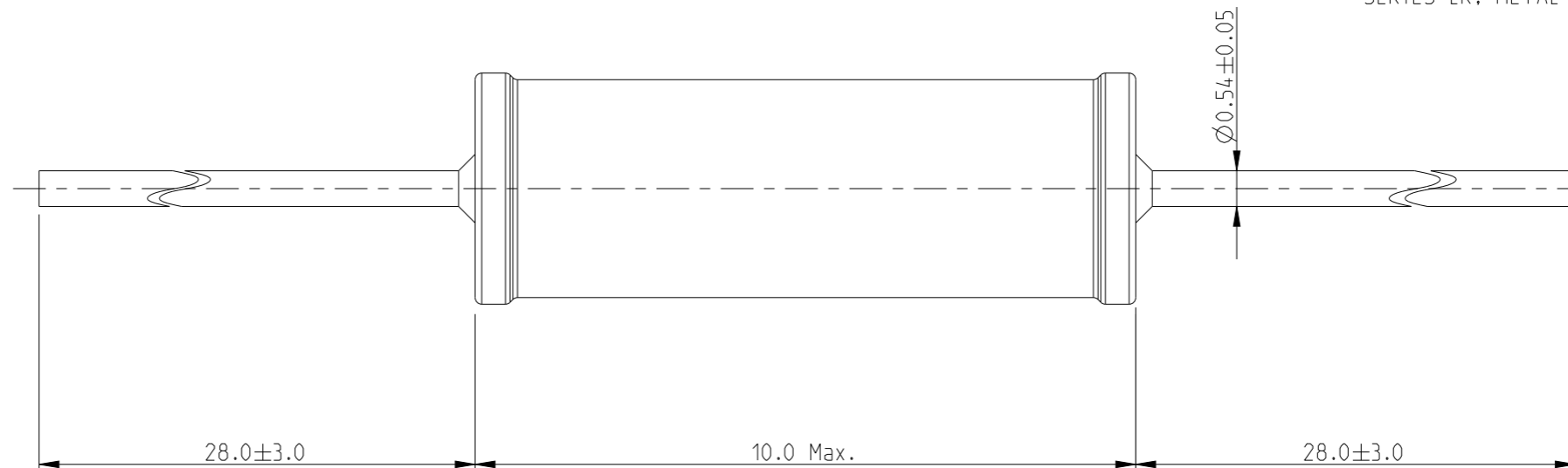
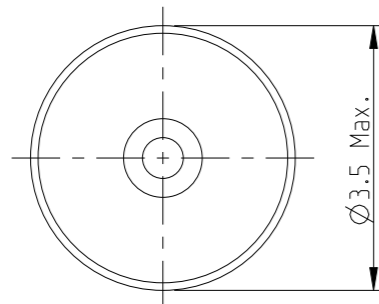


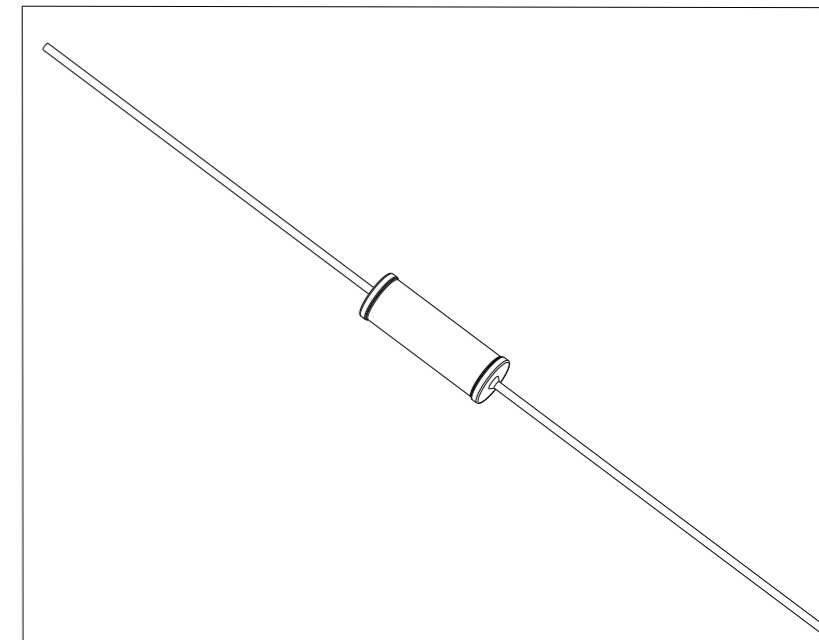
REVISIONS

P	LTR	DESCRIPTION	DATE	DWN	APVD
	BA	NEW RELEASE	06JULY2010	PT	St.P
	BB	CLARIFICATION OF DIMENSIONS	18JAN2023	DM	AP

FOR FURTHER INFORMATION SEE DATA SHEET FOR SERIES LR. METAL FILM FIXED RESISTORS



RoHS Compliant



THIS DRAWING IS A CONTROLLED DOCUMENT.

DWN	06JULY2010
PARUSURAM.T	
CHK	06JULY2010
ALLAN.P	
APVD	06JULY2010
STEPHEN.P	



DIMENSIONS:	TOLERANCES UNLESS OTHERWISE SPECIFIED:
mm	
	0 PLC ± 0.2
	1 PLC ± 0.1
	2 PLC \pm
	3 PLC \pm
	4 PLC \pm
	ANGLES $\pm 5^\circ$
MATERIAL	FINISH
-	-

PRODUCT SPEC	-
APPLICATION SPEC	-
WEIGHT	-
CUSTOMER DRAWING	

NAME			
METAL FILM FIXED RESISTORS			
SERIES LR2			
SIZE	CAGE CODE	DRAWING NO	RESTRICTED TO
A3	00779	C=1622771	-
SCALE	SHEET	OF	REV
10:1	1	1	BB