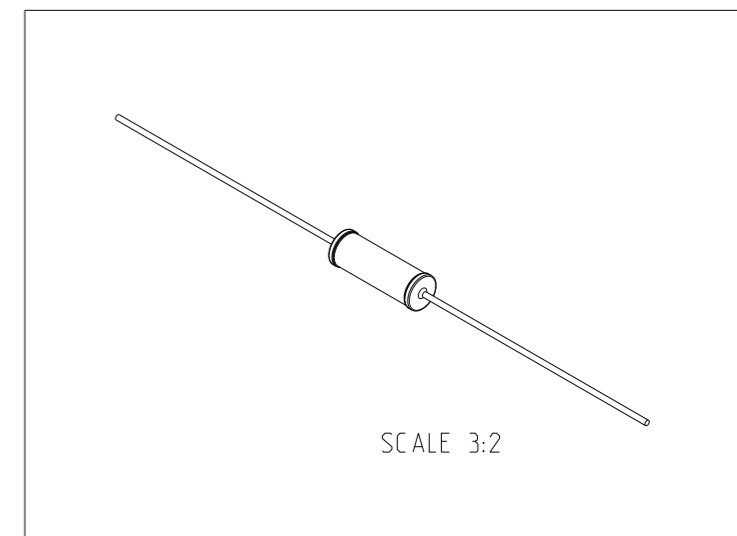
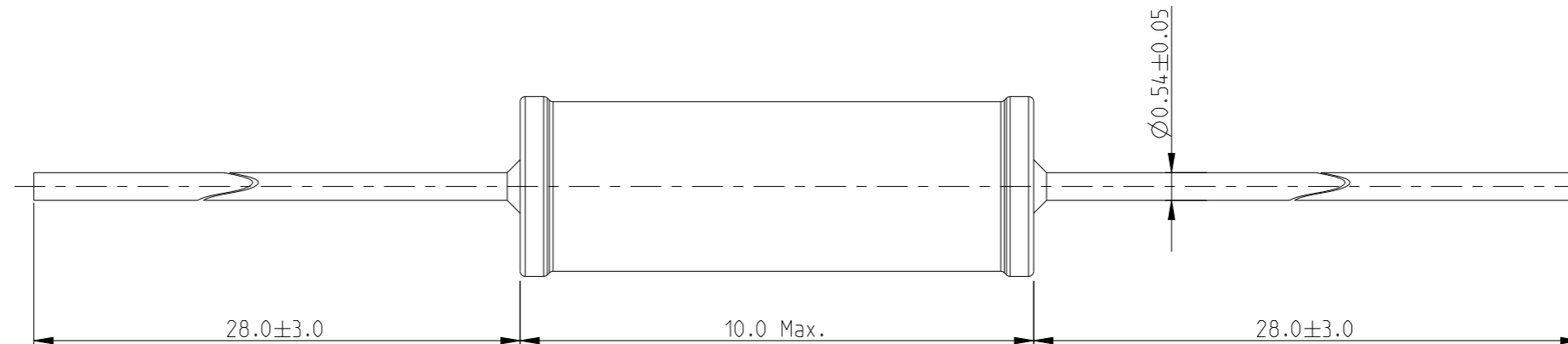
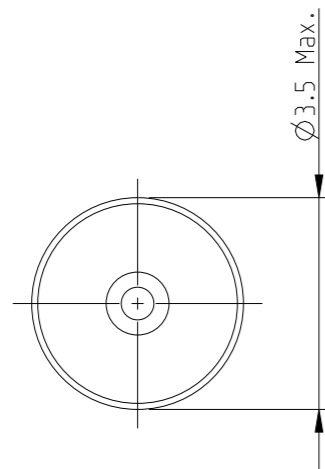


REVISIONS

P	LTR	DESCRIPTION	DATE	DWN	APVD
	BA	NEW RELEASE	23-MAR-10	MRS	St.P
	BB	CLARIFICATION OF DIMENSIONS	18JAN2023	DM	AP

FOR FURTHER INFORMATION SEE DATA SHEET FOR SERIES LR, METAL FILM FIXED RESISTORS



RoHS Compliant

THIS DRAWING IS A CONTROLLED DOCUMENT.		DWN MAHARUDRA 23-MAR-10														
DIMENSIONS: mm		CHK ALLAN.P 23-MAR-10														
TOLERANCES UNLESS OTHERWISE SPECIFIED:		APVD STEPHEN.P 23-MAR-10														
<table border="1"> <tr> <td>0 PLC</td> <td>± 0.2</td> </tr> <tr> <td>1 PLC</td> <td>± 0.1</td> </tr> <tr> <td>2 PLC</td> <td>\pm</td> </tr> <tr> <td>3 PLC</td> <td>\pm</td> </tr> <tr> <td>4 PLC</td> <td>\pm</td> </tr> <tr> <td>ANGLES</td> <td>$\pm 5^\circ$</td> </tr> </table>		0 PLC	± 0.2	1 PLC	± 0.1	2 PLC	\pm	3 PLC	\pm	4 PLC	\pm	ANGLES	$\pm 5^\circ$	PRODUCT SPEC -	NAME METAL FILM FIXED RESISTORS SERIES LR2	
0 PLC	± 0.2															
1 PLC	± 0.1															
2 PLC	\pm															
3 PLC	\pm															
4 PLC	\pm															
ANGLES	$\pm 5^\circ$															
MATERIAL -		FINISH -	APPLICATION SPEC -	SIZE A3	CAGE CODE 00779	DRAWING NO C-1622705	RESTRICTED TO -									
CUSTOMER DRAWING			WEIGHT -	SCALE 8:1	SHEET 1 OF 1	REV BB										