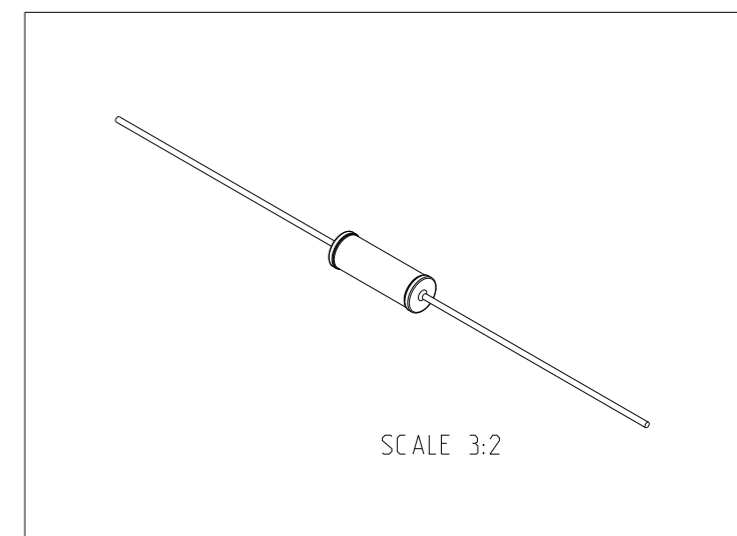
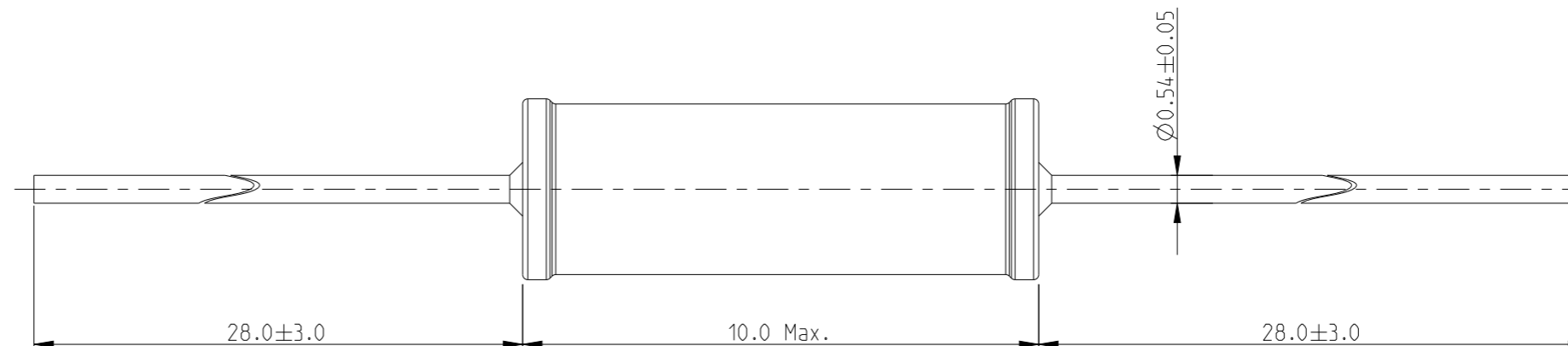
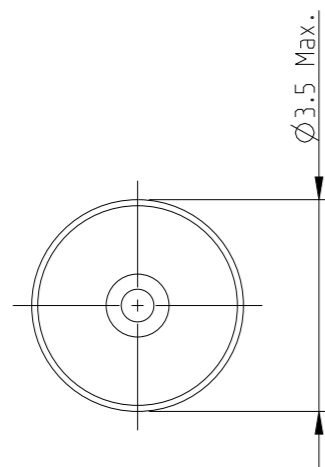


REVISIONS

P	LTR	DESCRIPTION	DATE	DWN	APVD
	BA	NEW RELEASE	23-MAR-10	MRS	St.P
	BB	CLARIFICATION OF DIMENSIONS	18JAN2023	DM	AP

FOR FURTHER INFORMATION SEE DATA SHEET FOR SERIES LR, METAL FILM FIXED RESISTORS



RoHS Compliant

THIS DRAWING IS A CONTROLLED DOCUMENT.

DWN	23-MAR-10
MAHARUDRA	
CHK	23-MAR-10
ALLAN.P	
APVD	23-MAR-10
STEPHEN.P	



DIMENSIONS:	TOLERANCES UNLESS OTHERWISE SPECIFIED:
mm	
	0 PLC ±0.2
	1 PLC ±0.1
	2 PLC ±-
	3 PLC ±-
	4 PLC ±-
	ANGLES ±5°
MATERIAL	FINISH
-	-

PRODUCT SPEC	-
APPLICATION SPEC	-
WEIGHT	-
CUSTOMER DRAWING	

NAME			
METAL FILM FIXED RESISTORS			
SERIES LR2			
SIZE	CAGE CODE	DRAWING NO	RESTRICTED TO
A3	00779	C=1622703	-
SCALE	SHEET	OF	REV
8:1	1	1	BB