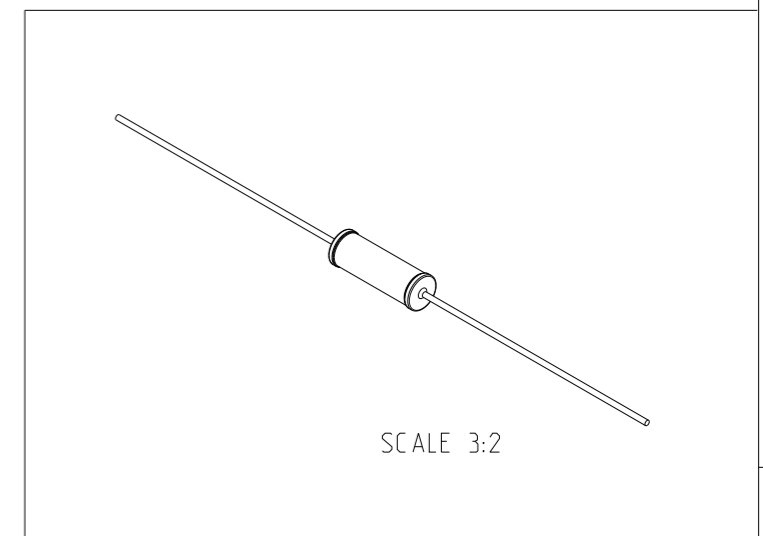
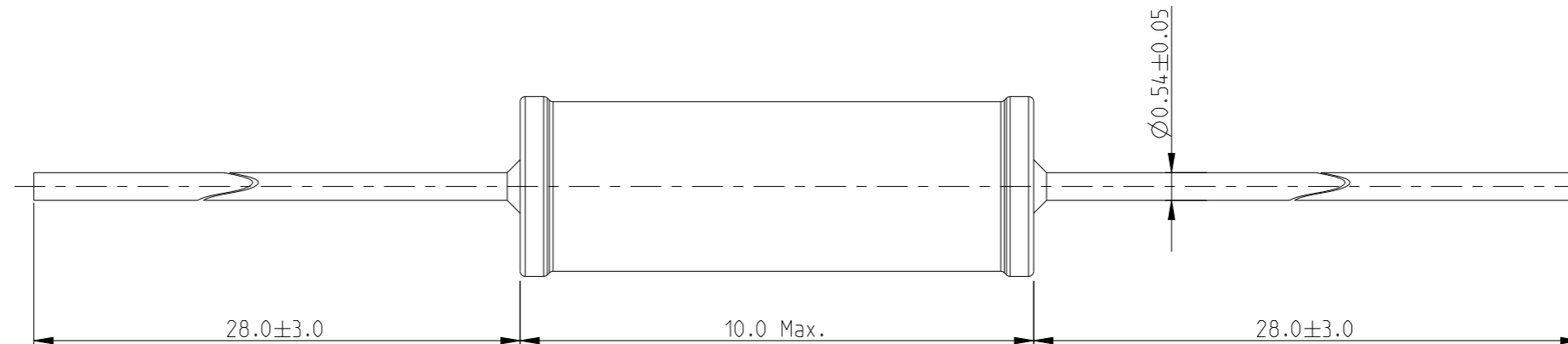
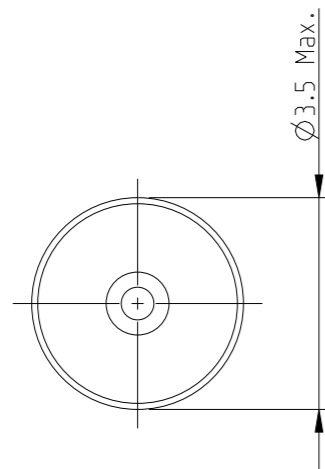



REVISIONS

P	LTR	DESCRIPTION	DATE	DWN	APVD
	BA	NEW RELEASE	23-MAR-10	MRS	St.P
	BB	CLARIFICATION OF DIMENSIONS	18JAN2023	DM	AP

FOR FURTHER INFORMATION SEE DATA SHEET FOR SERIES LR, METAL FILM FIXED RESISTORS



RoHS Compliant

THIS DRAWING IS A CONTROLLED DOCUMENT.		DWN MAHARUDRA	23-MAR-10	 TE Connectivity <b>METAL FILM FIXED RESISTORS</b> <b>SERIES LR2</b>											
DIMENSIONS: mm		CHK ALLAN.P	23-MAR-10												
TOLERANCES UNLESS OTHERWISE SPECIFIED:		APVD STEPHEN.P	23-MAR-10												
<table border="0"> <tr><td>0 PLC</td><td>±0.2</td></tr> <tr><td>1 PLC</td><td>±0.1</td></tr> <tr><td>2 PLC</td><td>±</td></tr> <tr><td>3 PLC</td><td>±</td></tr> <tr><td>4 PLC</td><td>±</td></tr> <tr><td>ANGLES</td><td>±5°</td></tr> </table>		0 PLC	±0.2			1 PLC	±0.1	2 PLC	±	3 PLC	±	4 PLC	±	ANGLES	±5°
0 PLC	±0.2														
1 PLC	±0.1														
2 PLC	±														
3 PLC	±														
4 PLC	±														
ANGLES	±5°														
MATERIAL		APPLICATION SPEC		NAME											
-		-		SIZE	CAGE CODE										
FINISH		WEIGHT		A3	00779										
-		-		DRAWING NO											
		CUSTOMER DRAWING		C=1622685											
				RESTRICTED TO	-										
				SCALE	8:1										
				SHEET	1 OF 1										
				REV	BB										