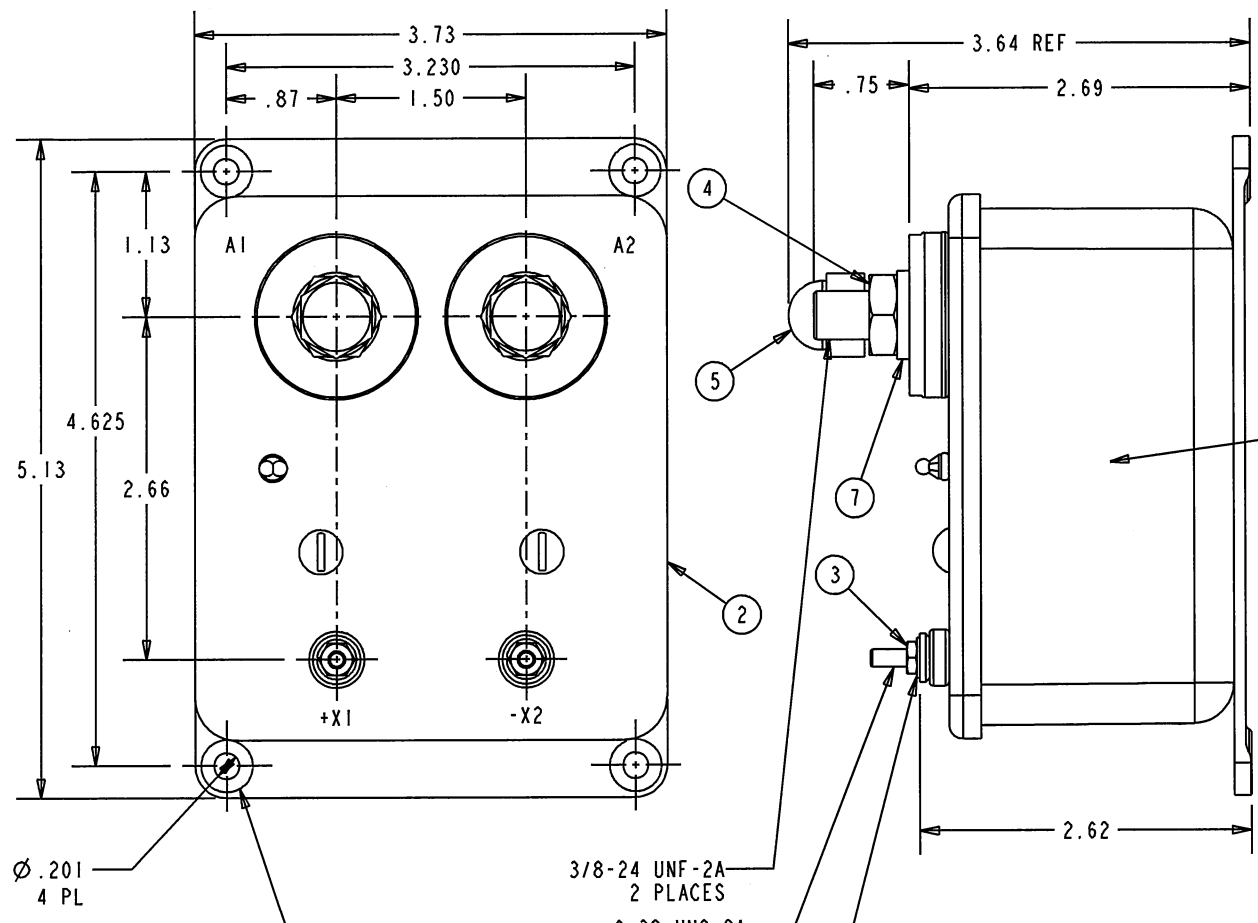


REVISIONS		RELEASED		APPROVED
REV.	DESCRIPTION	DATE		
A	RELEASED TO PRODUCTION	13-05-13		MDM



CONSTRUCTION	HERMETIC SEALED
MAIN CONTACTS	
CONFIGURATION	SPST N.O. (DOUBLE BREAK)
VOLTAGE	28 VDC
CURRENT	
RESISTIVE	600 AMPS
RUPTURE	6000 AMPS
INDUCTIVE	250 AMPS
MOTOR	3600 AMPS
COIL DATA	
DUTY CYCLE	CONTINUOUS (ECONOMIZED)
NOM. OPERATE VOLTAGE	28 VDC
MAX. PICKUP VOLTAGE	18 VDC
DROPOUT VOLTAGE	1-7 VDC
COIL CURRENT	
INRUSH (100ms)	5 AMPS MAX @ 28 VDC AND 25°C
HOLD	.200 AMPS @ 28 VDC AND 25°C
ENVIRONMENTAL	
TEMPERATURE	-55°C TO +85°C
ALTITUDE	80,000 FT
LIFE ELECTRICAL	50,000 CYCLES
LIFE MECHANICAL	100,000
WEIGHT (EST.)	2.4 LBS

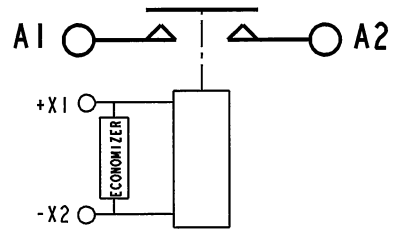
Ø .201  
4 PL

4 MTG HOLES. FOR ELECTRICAL BONDING, FINISH REMOVED FROM BOTH MOUNTING SURFACES. MOUNTING HOLES ARE SPOT FACED.

3/8-24 UNF-2A  
2 PLACES

6-32 UNC-2A  
2 PLACES

FIND NO	QTY RECD	PART OR IDENTIFYING NO	NOMENCLATURE OR DESCRIPTION	DRAWING OR SPECIFICATION	FSCM NO	TE PART NO	MATERIAL OR NOTE
7	2	51807-084	LOCKWASHER, 3/8 SPLIT				4-1616360-3
6	2	51806-014	WASHER LOCK #6 SPLIT				1616360-7
5	2	50407-520	ACORN NUT 3/8-24				5-1691000-6
4	2	50407-164	NUT 3/8-24 X 5/8 X 7/32 HEX				1616338-9
3	2	50406-034	NUT 6-32 X 1/4 X 3/32 HEX				5-1616337-3
2	1	48237-010	CONTACTOR AND COVER ASSEMBLY				1616979-8
1	1	16043-001	NAME PLATE				3-1616169-5



UNLESS OTHERWISE SPECIFIED DIMENSIONS ARE IN INCHES TOLERANCES ON

2 PL DEC.	.13 PL DEC.	ANGLES
± .06	± .010	± 1°

DR BY: RSS 09/11/13  
 CHK BY: MDM 13-05-13  
 ENGR: RSS 09/11/13  
 MFG: DWA 13/05/14

SIZE: A CODE IDENT: 74063

SCALE: SHEET 1 OF 1

**STE**  
 Harman Division 175 N. DIAMOND STREET MANSFIELD, OHIO 44902

HERM CONTACTOR 600 AMP  
 SPST NO DB 28 VDC

DWG NO. AH600AIC

REF TE PN 1616977-6