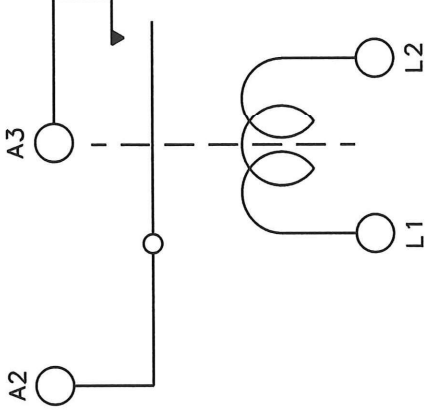
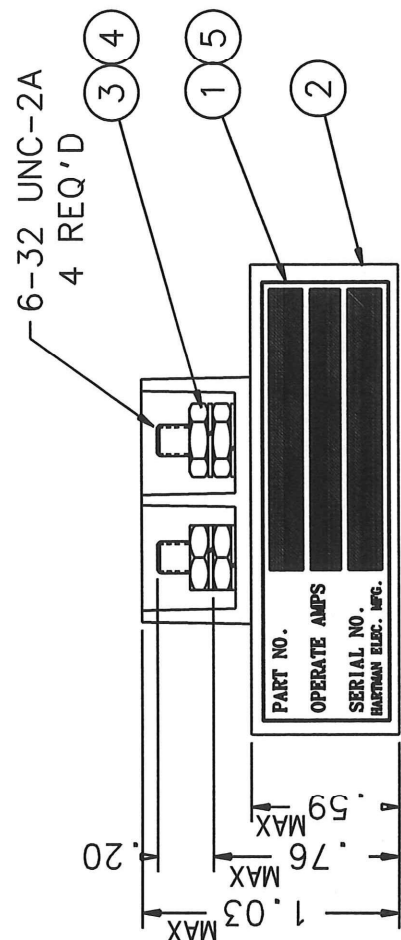
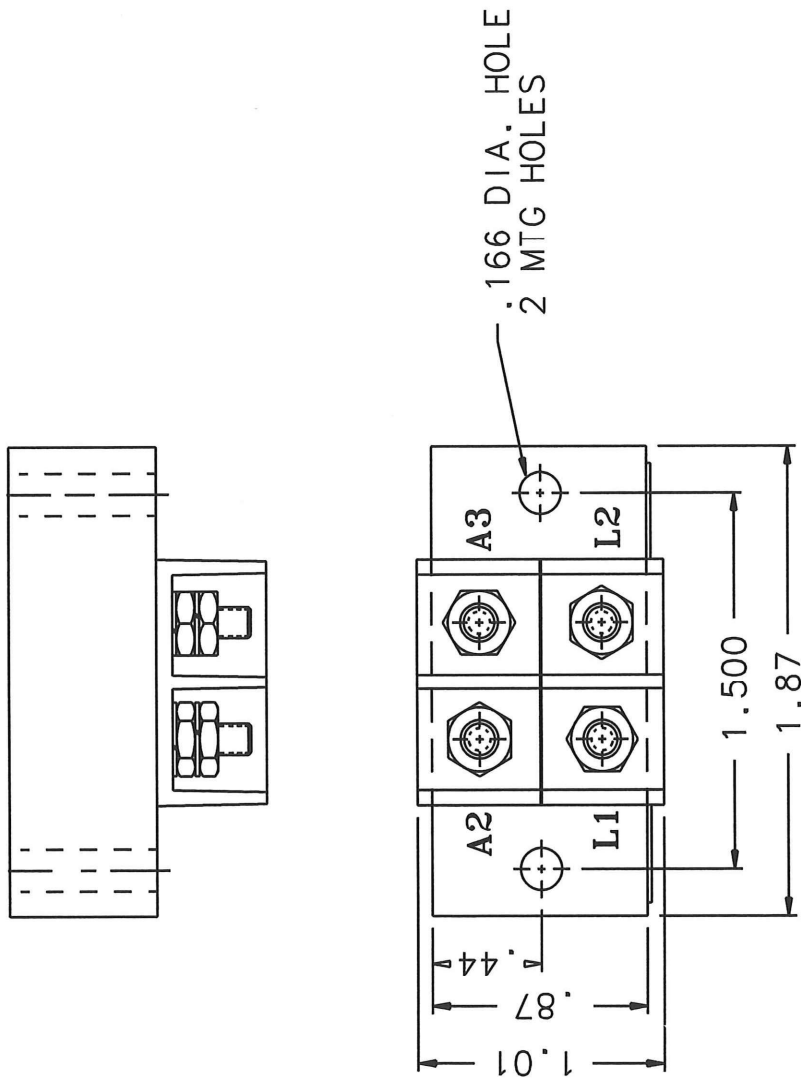


REV.	DESCRIPTION	DATE	APPROVED
A	26716 REMOVED PRELIMINARY DRAWING	94/12/22	RS
B	29671 CORRECTED CONTACTS WERE N.C.	96/03/05	RS
C	40464 "MAX" ADDED TO .59 FIND 5 ADDED QTY 4 WAS 5 ON FIND NOS 3 & 4	99/09/27	RS
D	41498 "MAX" ADDED TO .76 & 1.03	00/02/01	RS



**OPERATING CHARACTERISTICS**  
 PICKUP 6 AMPS DC ±20%  
 DROPOUT 2.4 AMP DC. MIN.  
 CONTINUOUS 20 AMPS D.C. MAX.  
 MAX. WEIGHT 1.25 OZ.  
 TEMP -55°C TO +71°C  
 VIBRATION 10 G's TO 2000HZ  
 ALTITUDE 60,000 FT. MAX.  
 CONTACT RATING 1.0 AMP 28 VDC RESISTIVE  
 LAMP LOAD .2 AMP 28 VDC



FIND NO	QTY	PART OR IDENTIFYING NO	NOMENCLATURE OR DESCRIPTION	FSC# NO	DRAWING OR SPECIFICATION	MATERIAL OR NOTE
5	1	39529-024	OVERLAY			
4	4	51806-014	WASHER - LOCK No.6 SPLIT			
3	4	50408-034	NUT 6-32 X 1/4 X 5/64 HEX.			
2	1	35190-020	RELAY ASSEMBLY - PRIMARY			
1	1	34246-001	PLATE - NAME			

DR BY	RLS	DATE
DR BY	RLS	00/02/25
CHK BY	RS	00/02/25
ENGR	RS	00/02/25
MFG	CC	00/03/03
RELEASE		
CONTR NO.		
GOVT APPVL		

UNLESS OTHERWISE SPECIFIED DIMENSIONS ARE IN INCHES TOLERANCES ON
2 PL DEC.3 PL DEC. ANGLES
*.06 * .010 * 1°

REV.	DESCRIPTION	DATE	APPROVED
A	26716 REMOVED PRELIMINARY DRAWING	94/12/22	RS
B	29671 CORRECTED CONTACTS WERE N.C.	96/03/05	RS
C	40464 "MAX" ADDED TO .59 FIND 5 ADDED QTY 4 WAS 5 ON FIND NOS 3 & 4	99/09/27	RS
D	41498 "MAX" ADDED TO .76 & 1.03	00/02/01	RS

**HARTMAN ELECTRICAL MANUFACTURING**  
 MANSFIELD, OHIO

RELAY - CURRENT INDICATOR  
 20 AMP CONTINUOUS

SIZE C CODE IDENT 74063 DWG NO. Q-50AG

SCALE NONE SHEET 093