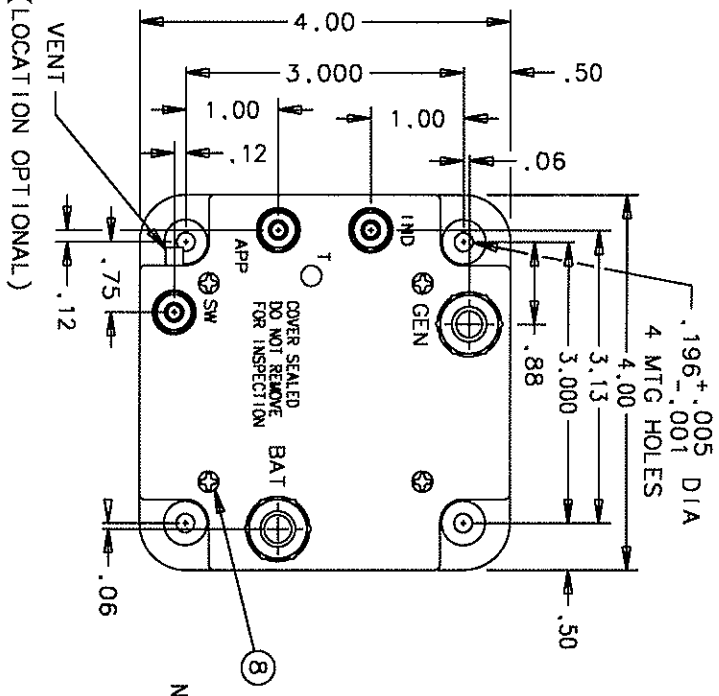
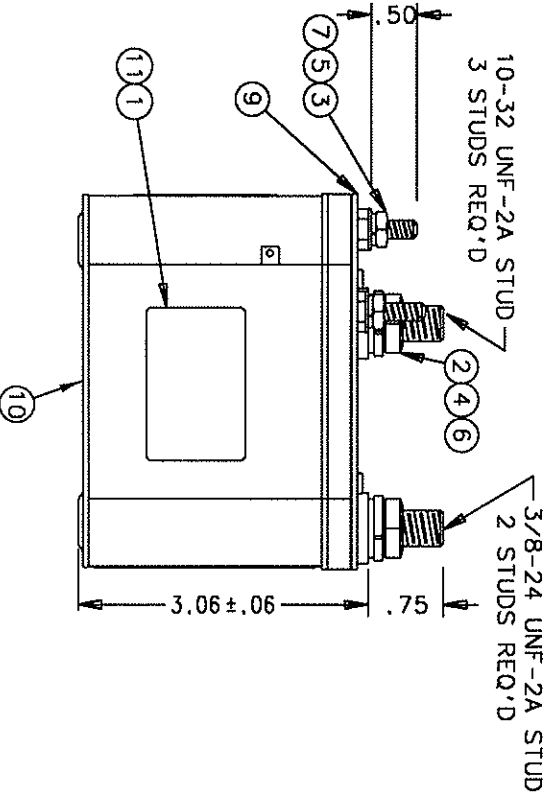
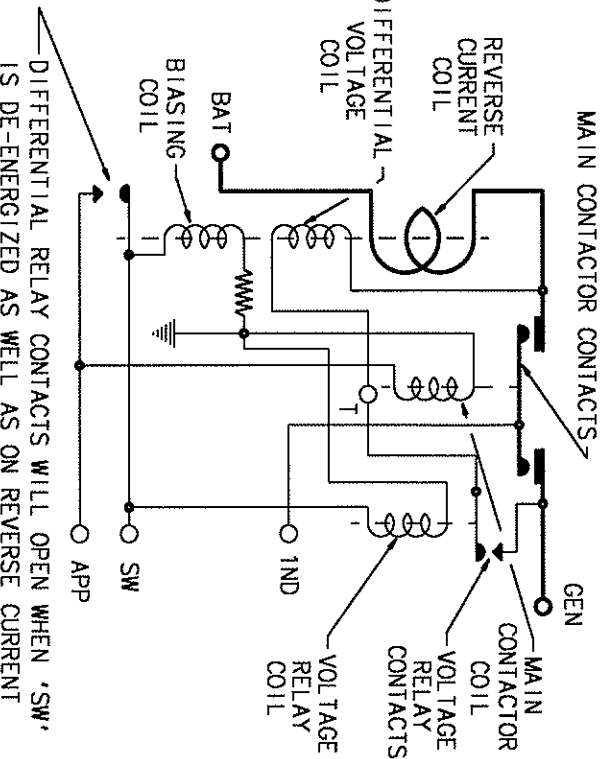


REV	DESCRIPTION	DATE	APPROVED
1	AA 42363 REDRAWN: FIND 8 WAS 51200-030, FIND NO 11 ADDED	00/05/03	RS
2	AB 43690 CORRECTED LOWER P/N: WAS 'A700AP' 00/12/13		

- NOMINAL VOLTAGE 28 VDC
- CURRENT RATING 300 AMP
- OVERLOAD 1 MIN. 600 AMP
- INTERRUPT 2500 AMP
- REVERSE CURRENT SETTING 9-25 AMP
- MAX WEIGHT 3.0 LBS.



- NOTE:
- TOLERANCE ON ALL TERMINAL LENGTHS TO BE ±.06
  - MTG SURFACE SHALL PROVIDE ELECTRICAL GROUND.



FIND NO	QTY	PART OR IDENTIFYING NO	DESCRIPTION	QUANTITY	REVISION	DATE	BY	CHK BY	ENG	REL	SCALE	SHEET
1	1	39529-001	OVERLAY									
2	1	28046-010	CUTOUT ASSEMBLY PRIMARY									
3	1	07822-000	PLATE - BASE COVER									
4	4	51200-020	SCREW No. 4 x 1/4 BD HD SHI MIL									
5	3	51712-194	WASHER, FLAT 7/16 x 13/64 x .032									
6	2	51704-024	WASHER, FLAT 5/8 x .390 x .064									
7	3	51810-054	WASHER, LOCK #10 SPLIT									
8	2	51807-084	WASHER, LOCK 3/8 SPLIT									
9	3	50410-084	NUT, 10-32 x 3/8 x 1/8 HEX									
10	2	50407-164	NUT, 3/8-24 x 5/8 x 7/32 HEX									
11	1	16043-001	PLATE-NAME									

UNLESS OTHERWISE SPECIFIED TOLERANCES ARE IN INCHES		2 PL DEC. 13 PL DEC. ANGLES	
+	.06	+	.10
MATERIAL			
DR BY	CSC	00/12/20	
CHK BY	PL	00/12/20	
ENG	PL	00/12/20	
REL	PL	00/12/20	
CONTR NO.			
GOVT APPROV			
HARTMAN ELECTRICAL MANUFACTURING		MANSFIELD, OHIO	
CUTOUT-REVERSE CURRENT			
SIZE	CODE IDENT	DWG NO.	
C	74063	A-700AP	
SCALE	NONE		
SHEET			