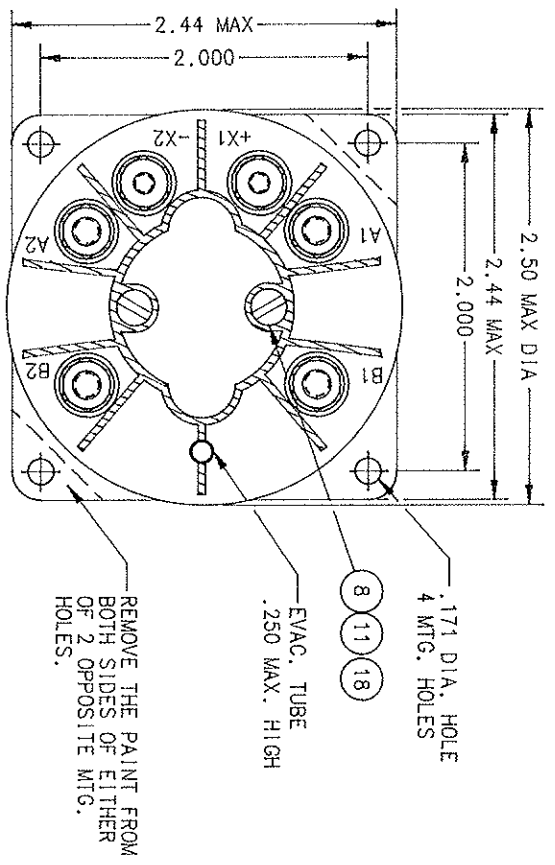
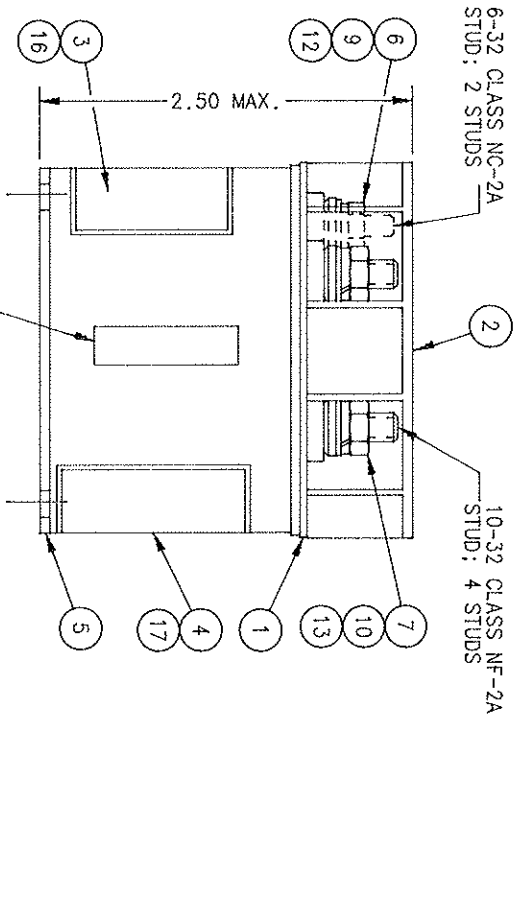
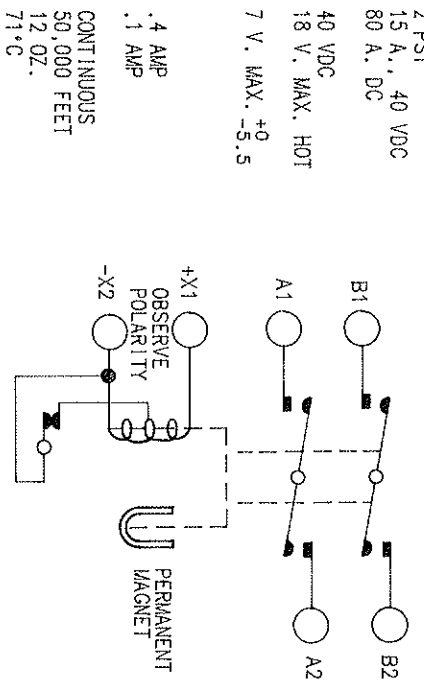


FAA/PMA

REV.	DESCRIPTION	DATE	APPROVED
S	24150 ITEM 3 WAS 16043-001	93/06/28	WS
T	25370 UPDATED P/L: CORRECTED GEOMETRY	94/01/07	WS
U	30577 FIND NO 18 ADDED	96/07/09	WS



CONSTRUCTION  
CONTACTS  
CONTACT RATING  
INTERRUPTION (MAX)  
COIL RATING  
PICKUP  
DROPOUT  
HERMETICALLY SEALED  
2 PST  
15 A., 40 VDC  
80 A. DC  
40 VDC  
18 V. MAX. HOT  
7 V. MAX. -5.5



6-32 CLASS NC-2A  
STUD: 2 STUDS  
LOCATION OPTIONAL

COIL CURRENT AT 25°C  
INRUSH  
HOLDING  
RATED DUTY  
ALTITUDE  
MAX. WEIGHT  
MAX. OPERATING AMBIENT TEMP.

CONTINUOUS  
50,000 FEET  
12 OZ.  
71°C

FIND NO	QTY	PART OR IDENTIFYING NO	NOMENCLATURE OR DESCRIPTION	DRAWING OR SPECIFICATION	MATERIAL OR NOTE
18	2	51701-180	WASHER - 3/16 X .103 X .015 FLAT		MYLAR
17	1	39529-002	OVERLAY		
16	1	39529-001	OVERLAY		
15	1	39529-024	OVERLAY		
14	1	58400-098	PLATE - FAA/PMA		
13	4	51810-054	WASHER - LOCK NO.10 SPLIT TYPE	AN935B10	BRONZE
12	2	51806-014	WASHER - LOCK NO.6 SPLIT TYPE	AN935B6	BRONZE
11	2	51805-011	WASHER - LOCK NO.5 SPLIT TYPE	AN935B5L	BRONZE
10	4	51702-844	WASHER - 3/8 X 13/64 X .032 FLAT		BRASS
9	2	51702-204	WASHER - 3/8 X 9/64 X .032 FLAT		BRASS
8	2	51205-591	SCREW - 5-40 X 3/8 RD.HD.		BRASS
7	4	50410-054	NUT - 10-32 X 5/16 X 9/64 HEX		BRASS
6	2	50406-034	NUT - 6-32 X 1/4 X 5/64 HEX		BRASS
5	1	20223-020	CONTACTOR ASSY. - PRIMARY		
4	1	20202-001	PLATE - WIRING DIAGRAM		
3	1	16043-033	PLATE - NAME		
2	1	15549-001	SHIELD - TERMINAL		
1	1	15537-036	PLATE - BASE COVER		

UNLESS OTHERWISE SPECIFIED DIMENSIONS ARE IN INCHES TOLERANCES ON		HARTMAN ELECTRICAL MANUFACTURING MANSTFIELD, OHIO	
2 PL DEC.3 PL DEC. ANGLES	4.030 ±.010	4.1°	
DR BY	RLS	96/08/05	
CHK BY	RS	96/08/05	
ENGR	PLD	96/08/05	
MFG	96/08/05		
RELEASE			
CONTR. NO.			
GOVT APPVL			
SIZE	CODE IDENT	DWG NO.	
C	74063	DH-7ML	
SCALE	NONE		SHEET
CONTACTOR - 2PST		HERMETICALLY SEALED	
093			