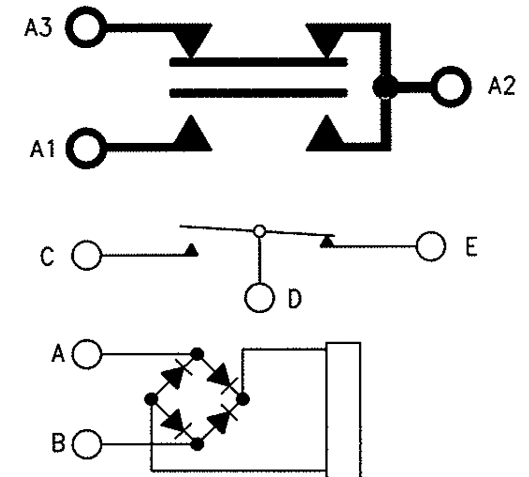
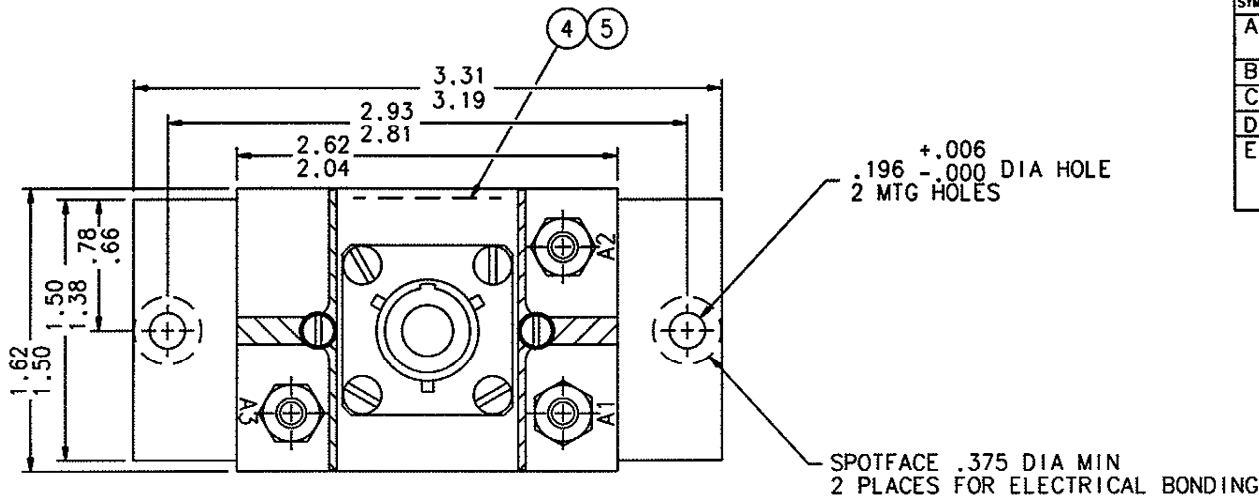
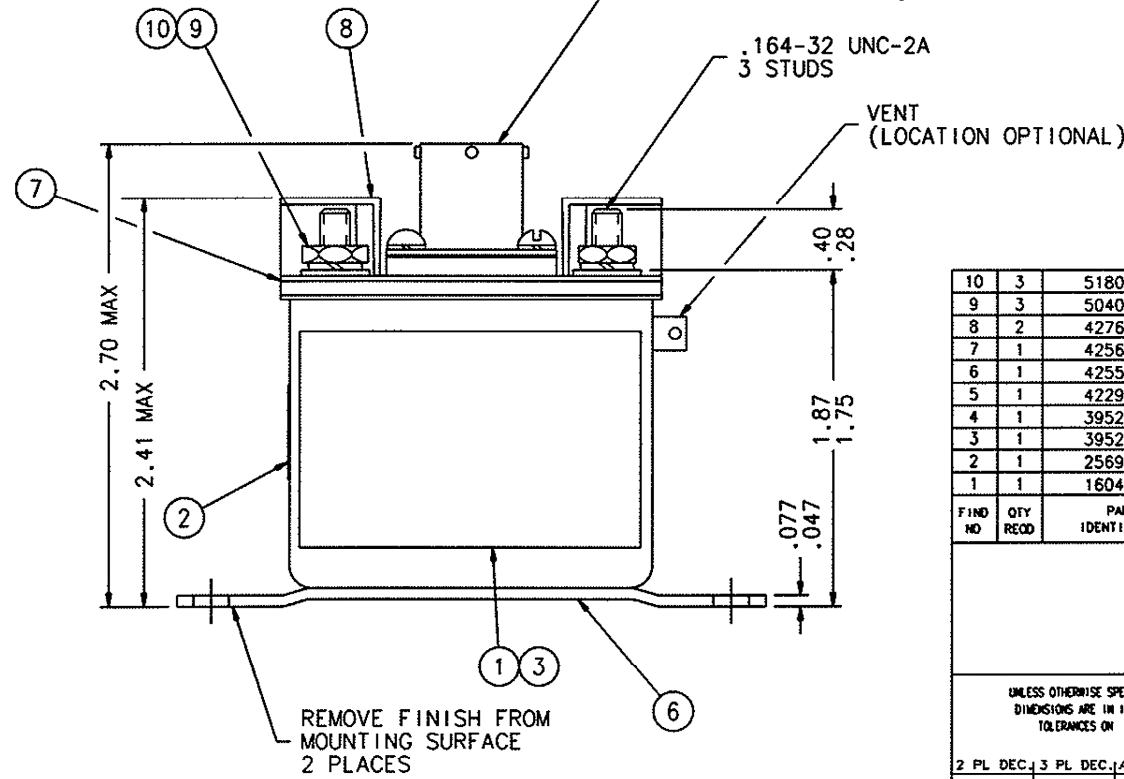


REVISIONS		RELEASED	DATE	APPROVED
SYM	DESCRIPTION			
A 30405	ITEM 3 WAS 32529-001, ITEM 4 WAS 32529-045, ITEM 6 WAS 42939-020, CORRECTED DIODE VIEW		96-06-12	RS
B 31901	NOTE 4.3, BOUNCE WAS .002 SEC MAX		97/01/20	RS
C 38013	ITEM 8 WAS 42765-010		98/12/01	RS
D 39015	DELETED SECTION 1.8 ON SHEET 2		99/03/26	RS
E 43228	NOTES 4.1 & 4.2 - OPERATE TIME WAS .040 SECOND MAX, RELEASE TIME WAS .030 SECOND MAX		00/09/28	CC



CONNECTOR MS3440H10C-6P
(MIL-C-26482 SERIES II, SHELL SIZE 10, INSERT ARRANGEMENT, 6 PIN CONTACTS.)



FIND NO	QTY RECD	PART OR IDENTIFYING NO	NOMENCLATURE OR DESCRIPTION	FSCM NO	DRAWING OR SPECIFICATION	MATERIAL OR NOTE
10	3	51808-064	WASHER-LOCK-No.8 SPLIT		MS35338-99	BRONZE
9	3	50408-034	NUT-8-32 X 5/16 X 3/32 HEX		MS35649-2865	BRASS
8	2	42765-040	TERMINAL SHIELD			
7	1	42564-002	PLATE BASE COVER			
6	1	42559-030	CONTACTOR ASSEMBLY-PRIMARY			
5	1	42291-002	PLATE-WIRING DIAGRAM			
4	1	39529-045	OVERLAY			
3	1	39529-001	OVERLAY			
2	1	25695-001	PLATE-WARNING			
1	1	16043-001	PLATE-NAME			

UNLESS OTHERWISE SPECIFIED DIMENSIONS ARE IN INCHES TOLERANCES ON			HARTMAN® MANSFIELD, OHIO		
DR BY	CSC	00/10/05	CONTACTOR, SPDT, 25 AMP AC, 50 AMP DC, .1 AMP SPDT AUX		
CHK BY	CC	00/10/10			
ENGR	DKW	10-11-00			
MFG	W/S	10-12-00			
RELEASE			SIZE	CODE IDENT	DWG NO.
CONTR NO.			C	74063	NN-233D
GOVT APPVL			SCALE	SHEET 1 OF 2	

REVISIONS		RELEASED	
SYM	DESCRIPTION	DATE	APPROVED
E	SEE SHEET 1		

- 1.0 COIL DATA
- 1.1 NOMINAL OPERATING VOLTAGE 115 VAC
- 1.2 MAXIMUM OPERATING VOLTAGE 120 VAC
- 1.3 PICK-UP VOLTAGE 90 VAC MAX. (OVER TEMP. RANGE)
- * 90 VAC MAX. AT 25°C
- 92 VAC MAX. DURING HIGH TEMP. TEST.
- 95 VAC MAX. MAX. CONT. CURRENT TEST.
- 1.4 DROPOUT VOLTAGE 5-45 VAC (OVER TEMP. RANGE)
- * 5-45 VAC AT 25°C
- 1.6 COIL CURRENT AT 25°C & 120 VAC, * .06 AMP MAX.
- 1.7 DUTY CYCLE CONTINUOUS

- 2.0 CONTACT DATA (MAIN SPDT) 115 VAC 60/400 HZ AUXILIARY (SPDT) 28VDC

- 2.1 RESISTIVE 50 AMP .1 AMP
- 2.2 INDUCTIVE 50 AMP .1 AMP
- 2.3 MOTOR
- 2.4 LAMP
- 2.5 CONTACT DROP MAX. *150 MV INITIAL

- 175 MV AFTER START OF LIFE TESTS.
- 2.6 OVERLOAD 400 AMP AC N.O. CONTACTS
- 2.7 RUPTURE 500 AMP AC N.O. CONTACTS
- 2.8 MINIMUM OPERATING CYCLES 50,000
- 100,000 AT 25% RATED RESISTIVE LOAD
- 10,000 LOAD TRANSFER

- 2.9 AUX. MIN. OPERATING LEVEL
- 3 MILLIAMPS AT 6 VDC
- 2 OHM MAX. CONTACT RESISTANCE

- 3.0 ENVIRONMENTAL DATA
- 3.1 TEMPERATURE RANGE -55°C TO +71°C
- 3.2 ALTITUDE MAXIMUM 50,000 FT.
- 3.3 DIELECTRIC STRENGTH

- 3.3.1 AT SEA LEVEL (2-5 SEC.)
- COIL TO CASE AND AUXILIARY CONTACTS *1250 VRMS
- ALL OTHER POINTS *1250 VRMS
- AFTER LIFE TEST 1000 VRMS
- ALL POINTS

- 3.3.2 AT ALTITUDE 50,000 FEET (60 SEC)
- ALL POINTS 500 VRMS

- 3.4 INSULATION RESISTANCE *100 MEGOHMS MINIMUM AT 500 VDC, INITIAL.
- 50 MEG OHMS MINIMUM AT 500 VDC, AFTER ENVIRONMENTAL TESTS.

- 3.5 VIBRATION (SINUSOIDAL) 10 G'S (70-500 HZ)
- 5 G'S (500-2000 HZ)
- NO CONTACT OPENING IN EXCESS OF TWO (2) MILLISECONDS.
- 3.6 SHOCK (REF. MIL-STD-202 METHOD 213) 25 G'S FOR SIX (6) MILLI-SECOND'S, NO CONTACT OPENING IN EXCESS OF TWO (2) MILLISECONDS.
- 15 G'S

- 3.7 ACCELERATION
- 4.0 OPERATIONAL DATA
- 4.1 OPERATE TIME AT 25°C *115 VAC: .050 SECOND MAX.
- 4.2 RELEASE TIME AT 25°C *115 VAC: .050 SECOND MAX.
- 4.3 CONTACT BOUNCE TIME AT 25°C *115 VAC: .003 SECOND MAX.

- 5.0 PHYSICAL DATA
- 5.1 CONSTRUCTION SEALED (VENTED)
- 5.2 DIODES ARE: JANTX, (1000 PIV), GLASS CASE
- ZENER, JANTX, GLASS CASE

- 5.3 TERMINAL STRENGTH (REF: MIL-STD-202, METHOD 211) PULL TORQUE
- 35 LB. 20.0 LB.-IN

- 5.4 FINISH: COVER TO BE TREATED WITH BLACK EPOXY COATING TO MEET THE REQUIREMENTS OF PARA 4.6.12 OF MIL-C-5026E.

- 5.5 WEIGHT: 9 OZ MAX

- 6.0 NOTES
- 6.1 REMOVE FINISH FROM THE MOUNTING SURFACE, BOTH SIDES AT TWO (2) PLACES FOR ELECTRICAL BONDING.

- 6.2 IDENTIFICATION SHALL BE PER MIL-STD-1285 AND SHALL INCLUDE THE FOLLOWING INFORMATION:

RELAYS
FUNCTIONAL DESCRIPTION
CIRCUIT DIAGRAM

- 6.3 WARNING LEGEND SHALL READ: DO NOT DIELECTRIC COIL CIRCUIT

- 6.4 HARDWARE TERMINALS SHALL BE SUPPLIED WITH SPECIFIED HARDWARE.

- 6.5 THREADS SHALL BE PER MIL-S-7742.

*ASTERISK DENOTES 100% TESTING BY PRODUCTION

		HARTMAN® MANSFIELD, OHIO	
		CONTACTOR, SPDT, 25 AMP AC, 50 AMP DC, .1 AMP SPDT AUX	
UNLESS OTHERWISE SPECIFIED DIMENSIONS ARE IN INCHES TOLERANCES ON		DR BY	CSC 00/10/05
		CHK BY	CC 08/10/10
2 PL DEC. 3 PL DEC. ANGLES		ENGR	DCA 12-11-03
		MFG	PP 10-12-00
± .03 .015 ± .5°		RELEASE	6
		CONTR NO.	
		GOVT APPVL	
SIZE	CODE IDENT	DWG NO.	
C	74063	NN-233D	
SCALE		SHEET 2 OF 2	