

| SYM | DESCRIPTION | DATE | APPROVED |
|-----|--|----------|----------|
| A | TERMINALS CHANGED TO 8-32 THREADS. | 96/08/20 | RS |
| B | ADDED ITEMS 4, 5, & 6 AND CORRECTED VIEW. | 96/09/06 | RS |
| C | COVER REDESIGNED, MTG DIM'S WAS 2 INCHES. | 96/11/12 | RS |
| D | ITEM 8 WAS 51205-591, 1/2 WAS 3/8 | 97/08/22 | RS |
| E | FIND NO. 8 WAS 51205-491, FIND NO 14 39529-032 REMOVED | 97/09/17 | RS |

GASKET SEALED (VENTED)

SPDT SIDESTABLE (DOUBLE BREAK)
115 VAC, 400 HZ
25 AMPERES
250 AMPERES MAX.

CONTINUOUS
115 VAC, 400 HZ
90 VOLTS MAX. HOT
5 TO 40 VOLTS
DROPOUT VOLTAGE
28 AMPERE MAX. AT
115 VOLTS AND 25°C

-55°C TO +71°C
50,000 FEET MAX
50,000 CYCLES MIN.
100,000 CYCLES

150 G's MAX.
6-9 MILLISECONDS

.78 LB.

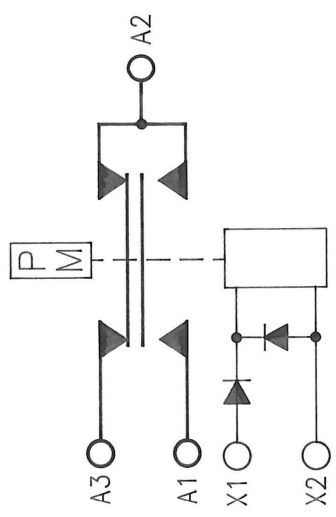
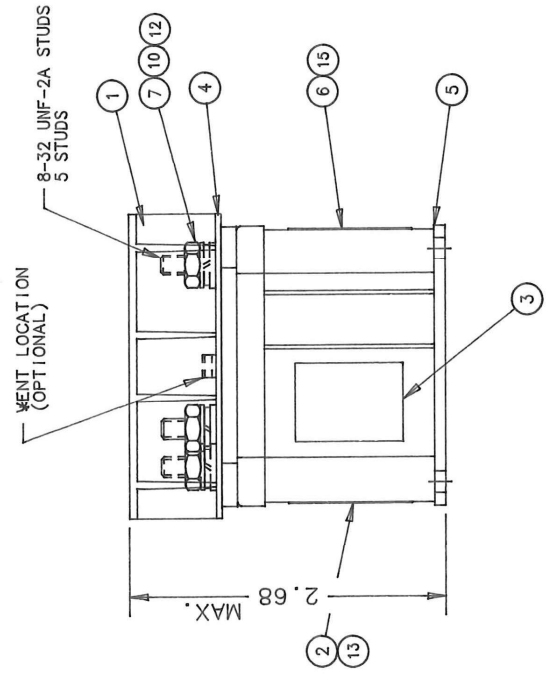
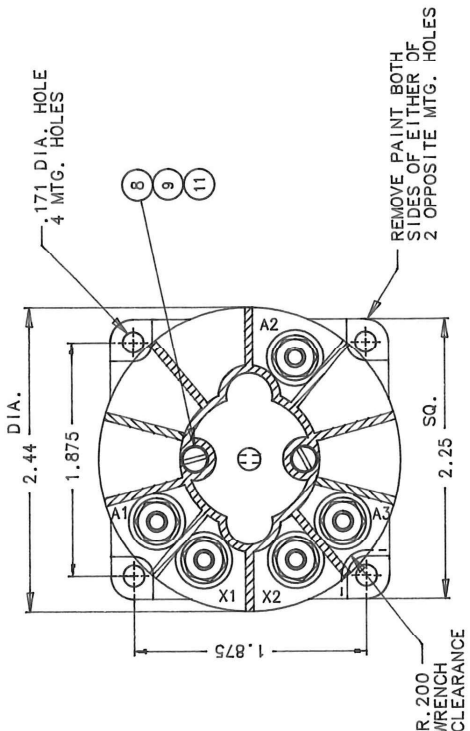
CONSTRUCTION
MAIN CONTACTS
CONFIGURATION
VOLTAGE
CURRENT (RESISTIVE)
INTERUPTING CAPABILITY

COIL DATA
DUTY CYCLE
COIL RATING
PICKUP VOLTAGE
DROPOUT VOLTAGE
COIL CURRENT

ENVIRONMENTAL DATA
AMBIENT TEMP.
ALTITUDE
LIFE ELECTRICAL
LIFE MECHANICAL

SHOCK

WEIGHT MAX.



| FIND NO | QTY RECD | PART OR IDENTIFYING NO | NOMENCLATURE OR DESCRIPTION | FSCM NO | DRAWING OR SPECIFICATION | MATERIAL OR NOTE |
|---------|----------|------------------------|---------------------------------|---------|--------------------------|------------------|
| 15 | 1 | 39529-038 | OVERLAY, WIRING DIAGRAM | | | |
| 14 | | | | | | |
| 13 | 1 | 39529-001 | OVERLAY, NAME PLATE | | | |
| 12 | 5 | 51808-034 | WASHER, NO. 8 SPLIT LOCK | | | BRONZE |
| 11 | 2 | 51805-011 | WASHER, NO. 5 SPLIT LOCK | | | BRONZE |
| 10 | 5 | 51702-554 | WASHER, 5/16 X 3/16 X .032 FLAT | | | BRASS |
| 9 | 2 | 51701-180 | WASHER, 3/16 X .103 X .015 | | | MYLAR |
| 8 | 2 | 51205-821 | SCREW, 5-40 X 9/16 RD. HD. | | | BRASS |
| 7 | 5 | 50408-044 | NUT, 8-32 X 5/16 X 1/8 HEX. | | | BRASS |
| 6 | 1 | 44280-001 | PLATE - WIRING DIAGRAM | | | |
| 5 | 1 | 44279-010 | CONTACTOR ASSEMBLY PRIMARY | | | |
| 4 | 1 | 32517-014 | PLATE - BASE COVER | | | |
| 3 | 1 | 17959-001 | PLATE - WARNING | | | |
| 2 | 1 | 16043-001 | PLATE - NAME | | | |
| 1 | 1 | 15549-001 | SHIELD - TERMINAL | | | |

HARTMAN ELECTRICAL MANUFACTURING
MANSFIELD, OHIO

DR BY: FDW 97/08/22
CHK BY: JCS 97/09/30
ENGR: FW 97/10/07
MFG: CU 97/10/07

UNLESS OTHERWISE SPECIFIED DIMENSIONS ARE IN INCHES TOLERANCES ON

2 PL DEC.13 PL DEC.1 ANGLES ± .06 ± .010 ± 1°

RELEASE: [Signature]
CONTR NO.
GOVT APPVL

SIZE: C
CODE IDENT: 74063
DWG NO.: DR-7TD

SCALE: NONE

SHEET: [Blank]

CONTRACTOR-SPDT SIDESTABLE
25 AMP. 115 VOLTS, 400 HZ.

093