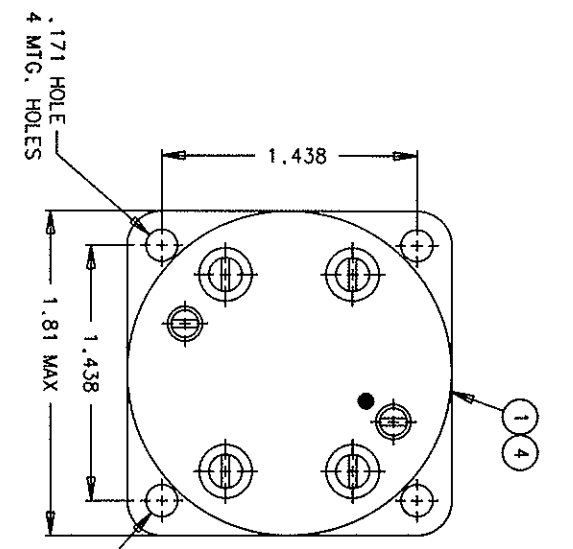
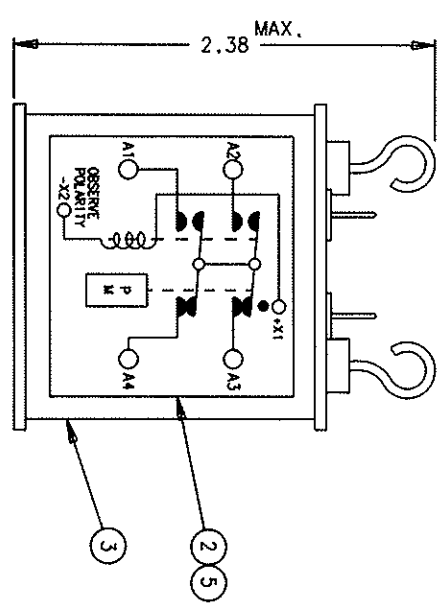
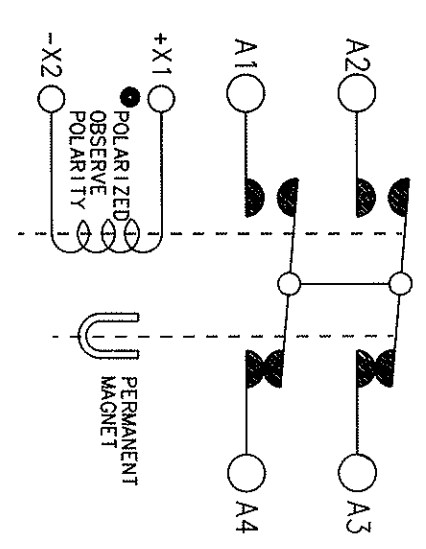


REV. E		DH-144A	
REV.	DESCRIPTION	RELEASED DATE	APPROVED
E	42190 REDRAWN, FIND NOS 4 & 5 ADDED	00/04/12	RS



CONSTRUCTION
 CONTACT CONFIGURATION
 CONTACT RATING, RES IND, NO MOTOR

HERMETICALLY SEALED
 1 NO. INC
 25 AMP, 28 VDC
 25 AMP
 25 AMP
 15 AMP
 30 V MAX
 18 V MAX
 1 TO 7 V
 80,000 FT
 MIL-E-5272, PROC 1
 15 G
 -65°F TO +160°F
 CONTINUOUS
 50,000 CYCLES
 6 1/4 OZ
 DESIGN OBJECTIVE: AMEND. 2 OF MIL-R-6106B, TYPE I, CLASS A



REV	DESCRIPTION	DATE	APPROVED
E	42190 REDRAWN, FIND NOS 4 & 5 ADDED	00/04/12	RS

5	1	39529-045	OVERLAY - WIRING DIAGRAM		
4	1	39529-001	OVERLAY - NAME PLATE		
3	1	20293-020	CONTACTOR ASSEMBLY - PRI.		
2	1	20150-001	PLATE - WIRING DIAGRAM		
1	1	16043-001	PLATE - NAME		

UNLESS OTHERWISE SPECIFIED DIMENSIONS ARE IN INCHES TOLERANCES ON		DR BY	RS	00/04/26
2 PL DEC. 13 PL DEC. JANGLES	* .03	CHK BY	RS	00/04/26
	* .010	ENGR	RS	00/04/26
		MFG	RS	00/04/26

HARTMAN ELECTRICAL MANUFACTURING MANSFIELD, OHIO		RELAY-25 AMP, 1 NO, 1 NC
SIZE	CODE IDENT	DWG NO.
C	74063	DH-144A
SCALE	NONE	SHEET