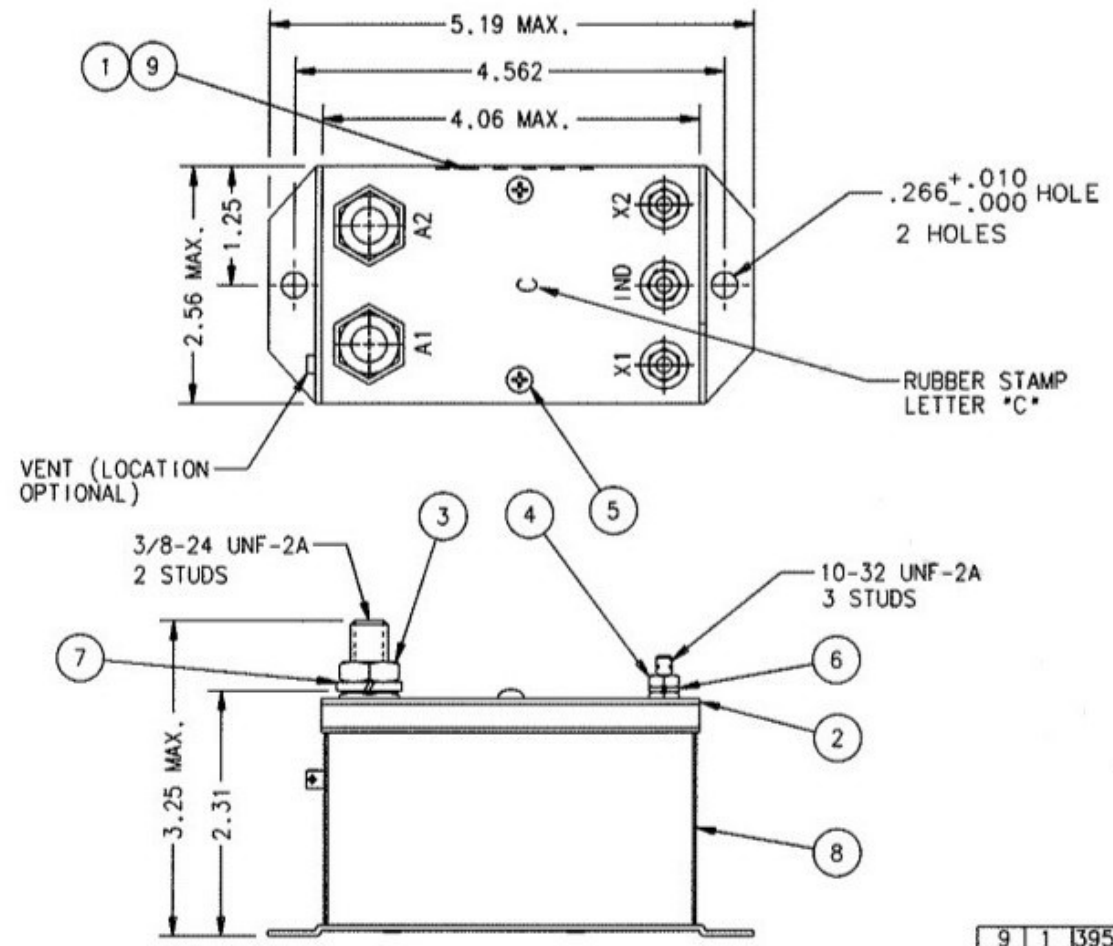


REVISIONS		RELEASED	DATE	APPROVED
REV.	DESCRIPTION			
H	42355 REDRAWN, FIND NO 9 ADDED, NOTES UPDATED		00/04/28	RS



CONSTRUCTION GASKET SEALED (VENTED)

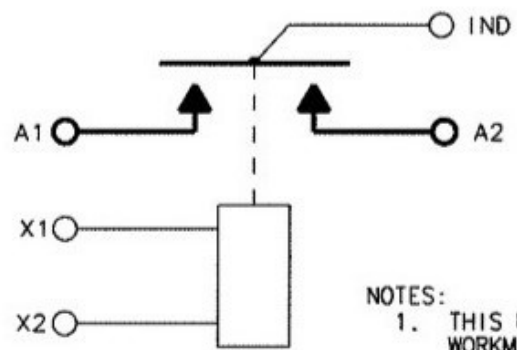
MAIN CONTACTS CONFIGURATION: SPST N.O.  
 VOLTAGE (NOMINAL): 28 VDC  
 CURRENT: 400 AMP  
 1000 AMP FOR 30 SEC.  
 1500 AMP INRUSH

COIL DATA: 24 - 30 VDC  
 VOLTAGE PICKUP: 12 VOLTS MAX  
 PULL THROUGH: 6 VOLTS MAX. AT 25°C  
 DROPOUT: 0.5 - 7 VOLTS  
 RESISTANCE: 14 OHM ± 20% AT 25°C  
 SUPPRESSION: 45 V PEAK  
 DUTY: INTERMITTANT

AMBIENT TEMPERATURE: -55°C TO +71°C

LIFE ELECTRICAL: 50,000 CYCLES MIN.

WEIGHT MAX.: 2 LBS. 2 OZ.



- NOTES:
- THIS UNIT MEETS THE MATERIAL & WORKMANSHIP REQUIREMENTS OF MIL-R-6106.
  - MOUNTING SURFACE SHALL PROVIDE ELECTRICAL GROUND.

9	1	39529-001	OVERLAY, NAME PLATE			
8	1	32687-040	CONTACTOR ASSEMBLY - PRIMARY			
7	3	51810-054	WASHER- LOCK- 10 X.062 X.047 SPLIT		BRONZE	
6	2	51807-084	WASHER- LOCK- 3/8 X.688 X.094 SPLIT		BRONZE	
5	2	51200-020	SCREW- #4 X 1/4 S.S. SHEETMETAL			
4	3	50410-084	NUT- 10-32 X 3/8 X 1/8 HEX		BRASS	
3	2	50407-164	NUT- 3/8-24 X 5/8 X 7/32 HEX		BRASS	
2	1	10403-003	PLATE BASE COVER			
1	1	16043-001	PLATE - NAME			
FIND NO	QTY RECD	PART OR IDENTIFYING NO	NOMENCLATURE OR DESCRIPTION	FSOM NO	DRAWING OR SPECIFICATION	MATERIAL OR NOTE
UNLESS OTHERWISE SPECIFIED DIMENSIONS ARE IN INCHES TOLERANCES ON			HARTMAN ELECTRICAL MANUFACTURING MANSFIELD, OHIO			
2 PL DEC. 3 PL DEC. ANGLES			STARTER CONTACTOR 400 AMP., 28 VOLTS			
* .06 * .01 * 1°			93			
DR BY RLS 00/05/17			SIZE CODE IDENT DWG NO.			
CHK BY RS 00/05/25			C 74063 A-703C			
ENGR JL 00/05/25			SCALE NONE SHEET			
MFG DC 00/05/25						
RELEASE						
CONTR NO.						
GOVT APPVL						