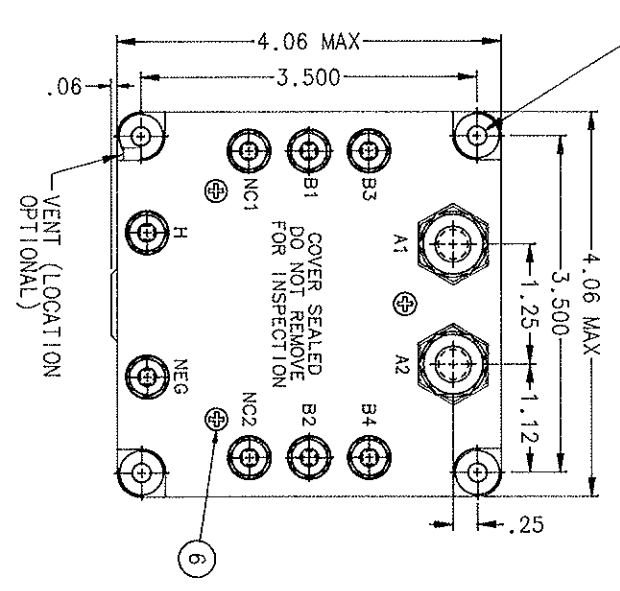


FAA/PMA

REV	DESCRIPTION	DATE	APPROVED
1	313791 REDRAWN, ADDED ITEMS 11 AND 12	96-10-24	R

4 MTG HOLES
 .196⁺.010 DIA HOLE



CONSTRUCTION
 MAIN CONTACTS
 VOLTAGE (NOMINAL)
 CURRENT

AUXILIARY CONTACTS
 B1-B2-B3-B4

NC-NC
 VOLTAGE
 CURRENT

COIL DATA
 VOLTAGE
 PICKUP, MAX
 DROPOUT
 DUTY

ENVIRONMENTAL DATA
 AMBIENT TEMPERATURE
 LIFE ELECTRICAL
 LIFE MECHANICAL
 WEIGHT MAX

GASKET SEALED (VENTED)

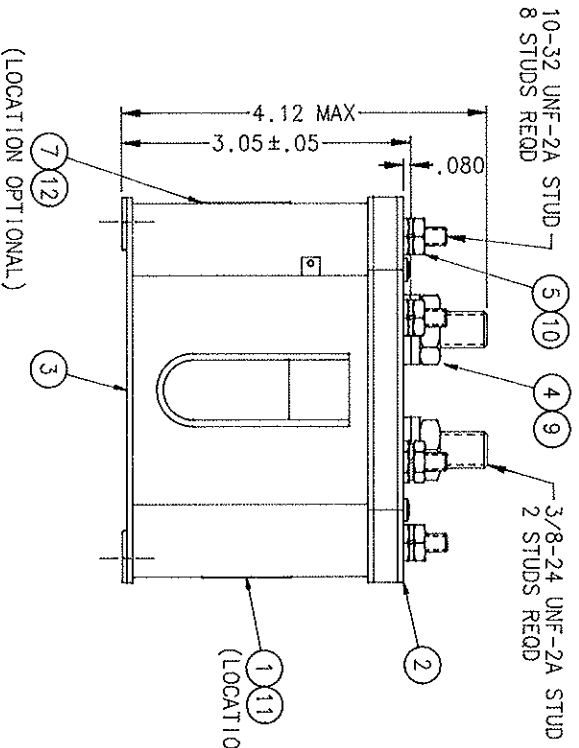
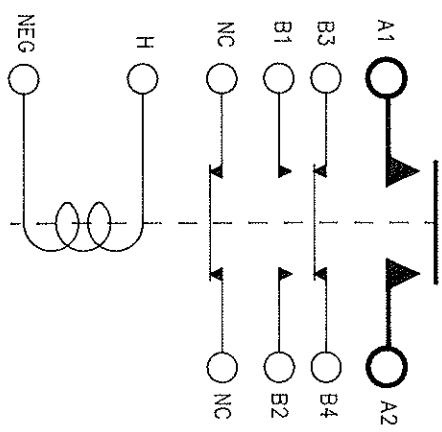
SPST N.O.
 28 VDC
 1500 AMP INRUSH
 1000 AMP 30 SEC

FORM Z TRANSFERS BEFORE
 MAIN CONTACTS CLOSE

SPST - NC
 28 VDC
 5 AMP SWITCHING
 10 AMP CONTINUOUS
 30 AMP .1 SEC

24-30 VDC
 8 V
 .5-3 V
 INTERMITTENT

-55°C TO +71°C MAX
 50,000 CYCLES
 100,000 CYCLES
 2 LB 14 OZ



(LOCATION OPTIONAL)

(LOCATION OPTIONAL)

FIND NO	QTY	REC'D	PART OR IDENTIFYING NO	NOMENCLATURE OR DESCRIPTION	DRAWING OR SPECIFICATION	MATERIAL OR NOTE
12	1		39529-024	OVERLAY		
11	1		39529-001	OVERLAY		
10	8		51810-054	LOCKWASHER, SPLIT, #10		BRONZE
9	2		51807-084	LOCKWASHER, SPLIT, 3/8		BRONZE
8						
7	1		58400-004	PLATE - FAA/PMA		
6	3		51200-020	SCREW, #4 X .25 LG, PAN HD		SST
5	8		50410-084	NUT, 10-32, 1/8 THK, 3/8 HEX		BRASS
4	2		50407-164	NUT, 3/8-24, 7/32 THK, 5/8 HEX		BRASS
3	1		35182-010	RELAY ASSEMBLY - PRIMARY		
2	1		35148-001	PLATE - BASE COVER		
1	1		16043-001	PLATE - NAME		

2 PL DEC. 3 PL DEC. ANGLES		* .06 * .010 * 1.0	
UNLESS OTHERWISE SPECIFIED DIMENSIONS ARE IN INCHES TOLERANCES IN			
DR BY	DKN	96-11-19	
CHK BY	RS	96/11/21	
ENGR	DW	96/10/27	
MFG	SP	96/11/26	
RELEASE			
CONTR. NO.			
GOVT APPVL			

HARTMAN ELECTRICAL MANUFACTURING MANSFIELD, OHIO	
GENERATOR START CONTACTOR 400 AMP, 28 VDC	
SIZE	CODE IDENT
C	74063
SCALE	NONE
SHEET	93