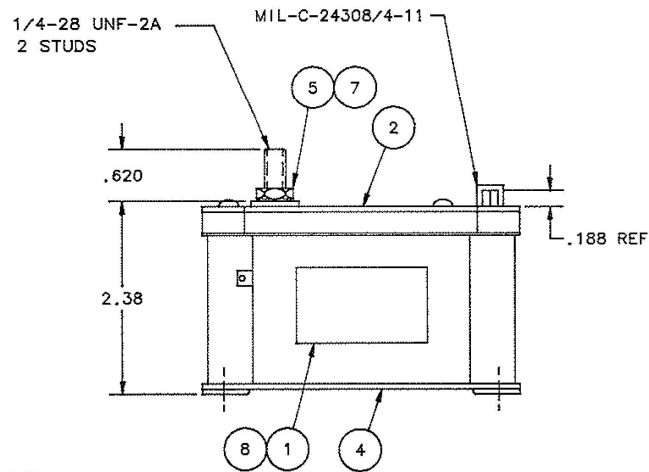
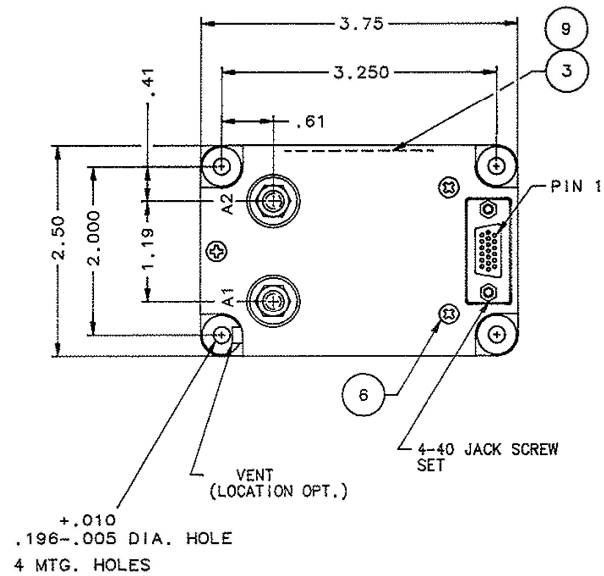


A-400F

REV. C

REVISONS		RELEASED		
REV	ECN No.	DESCRIPTION	DATE	APPROVED
A		CONNECTOR ROTATED 180. PIN 1 LOCATED. DATA UPDATED. NOTES UPDATED.	96/10/15	DM
B	31483	ADDED ITEMS 8 & 9; ADD "*" AND "-" TO COIL LEADS	96/11/11	RS
C	33354	2.38 DIM WAS 2.29	97/07/24	RS



NOTES:

1. CHANGING A AUXILIARY CONTACT LOAD FROM A HIGH LEVEL ARCING LOAD TO A LOW LEVEL NON-ARCING LOAD MAY RESULT IN INTERMITTENT OPERATION OF THAT CIRCUIT.
2. THIS UNIT MEETS THE MATERIAL AND WORKMANSHIP REQUIREMENTS OF MIL-R-6106J.

CONSTRUCTION
 MAIN CONTACTS
 CONFIGURATION SPST N.O.
 VOLTAGE 28 VDC
 CURRENT NOMINAL 150 AMP
 OVERLOAD 1000 AMP FOR 1.5 SEC.
 RUPTURE 600 AMP FOR 4 SEC.
 1500 AMP

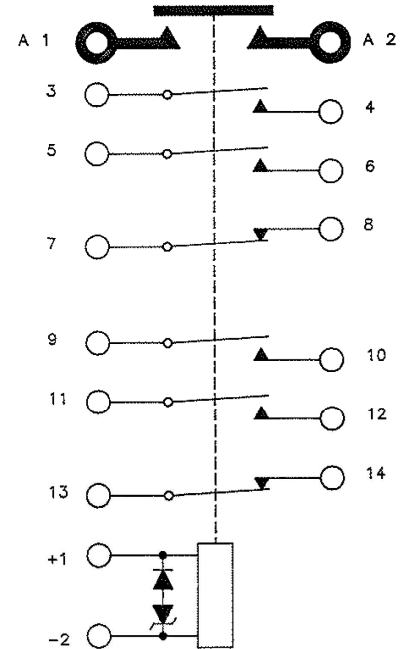
AUXILIARY CONTACTS
 CONFIGURATION 4PST NO, 2PST NC
 VOLTAGE 28 VDC
 CURRENT RES .001 THRU 5 AMP (NOTE 1)

COIL DATA
 DUTY CYCLE CONTINUOUS
 MAX OPERATE VOLTAGE 32 VDC
 NOM OPERATE VOLTAGE 28 VDC
 MAX PICKUP VOLTAGE 18 VDC
 DROPOUT VOLTAGE 1 > 7 VDC
 MIN HOLD VOLTAGE 7 VDC

COIL RESISTANCE AT 25°C 60 OHM ±10%
 TRANSIENT SUPPRESSION ±42 V MAX

ENVIRONMENTAL DATA
 AMBIENT TEMP. -55°C TO 85°C
 ALTITUDE 50,000 FEET MAX
 LIFE ELECTRICAL 50,000 CYCLES MIN.
 LIFE MECHANICAL 100,000 CYCLES MIN.
 WEIGHT MAX (EST) 1.25 LBS.

GASKET SEALED (VENTED)



9	1	39529-033	OVERLAY - WIRING DIAGRAM				
8	1	39529-001	OVERLAY - NAMEPLATE				
7	2	51807-034	WASHER-LOCK NO. 1/4 SPLIT TYP.				BRONZE
6	3	51200-020	SCREW NO. 4 X 1/4 PAN HD.				ST. STEEL
5	2	50407-074	NUT 1/4-28 X 3/8 X 3/16 HEX				BRASS
4	1	44254-010	CONTACTOR ASSEMBLY-PRI.				
3	1	44011-002	PLATE-WIRING DIAGRAM				
2	1	43994-002	PLATE-BASE COVER				
1	1	16043-001	PLATE-NAME				
FIND NO	QTY REQD	PART OR IDENTIFYING NO	NOMENCLATURE OR DESCRIPTION	FSCM NO	DRAWING OR SPECIFICATION	MATERIAL OR NOTE	
UNLESS OTHERWISE SPECIFIED DIMENSIONS ARE IN INCHES TOLERANCES ON			HARTMAN ELECTRICAL MANUFACTURING MANSFIELD, OHIO				
2 PL DEC.13 PL DEC.1 ANGLES			CONTACTOR-CONTINUOUS DUTY 150 AMP, 28VDC				093
±.06	±.010	± 1°	DR BY RLS 97/08/07	SIZE C	CODE IDENT 74063	DWG NO. A-400F	
MATERIAL			CHK BY RS 97/08/07				
			ENGR DM 97/08/14				
			MFG CC 97/08/14				
			RELEASE				
			CONTR NO.				
			GOVT APPVL				
				SCALE NONE	SHEET		