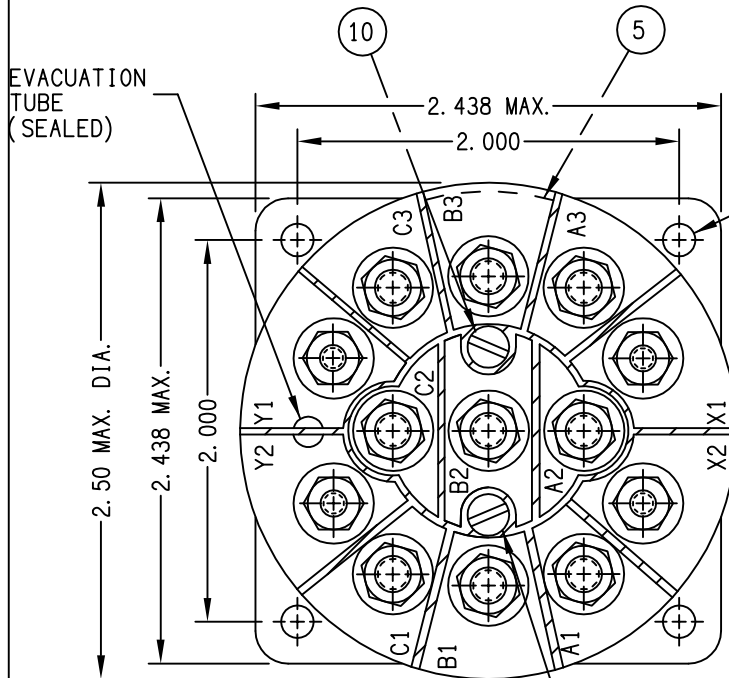


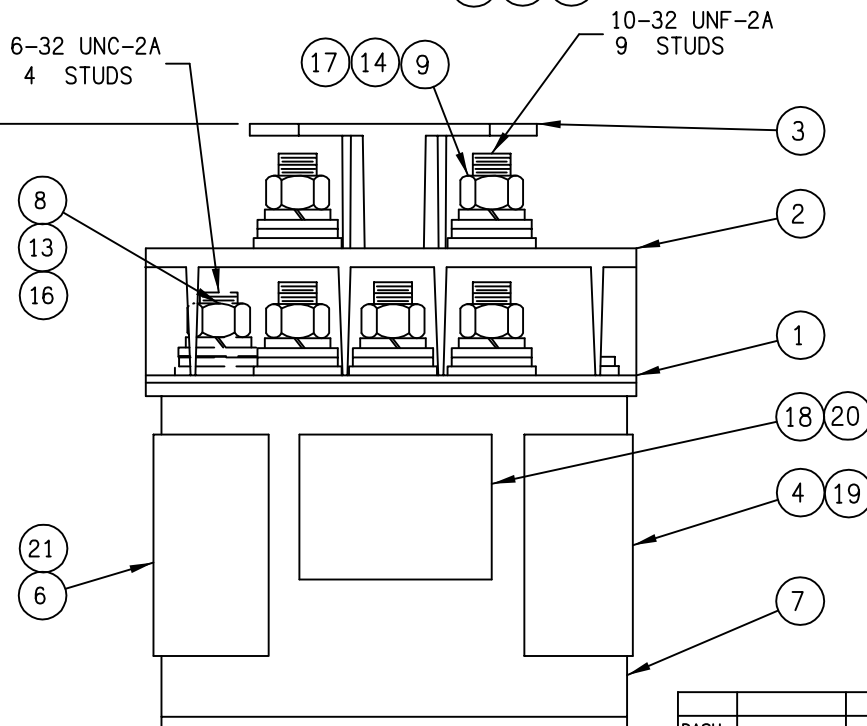
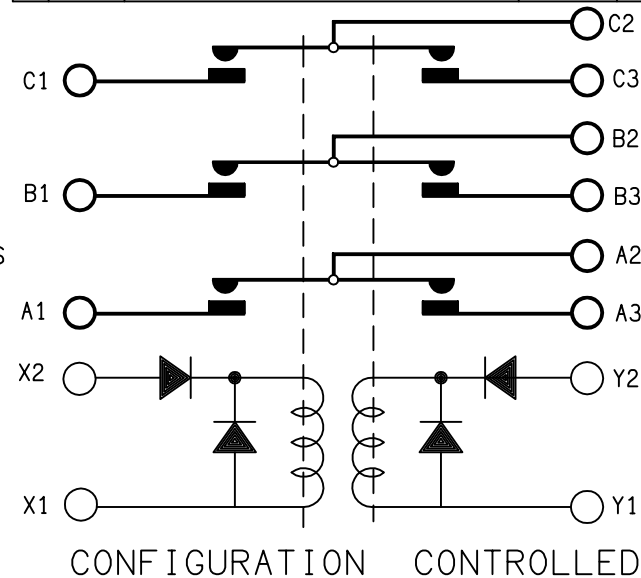
FAA / PMA

REVISIONS		RELEASED	
REV	DESCRIPTION	DATE	APPROVED
F	23083 REDRAWN; REVISED; ADD TO CAEDS	3-10-93	WS
G	24147 FIND 4 P/N WAS 001	6-28-93	WS
H	11-004792 REMOVED SPECS & ADDED NASM / MS SPECS	11/01/18	CB



CONSTRUCTION  
 NOMINAL VOLTAGE 115/200 V, 400 CYCLES  
 CONTACTS 3PDT CENTER OFF  
 CONTACT RATING 30 AMP, 115 V, 400 CYCLES  
 INDUCTIVE 20 AMP, 115V 400 CYCLES  
 COIL RATING 115V, 400 HZ  
 PICKUP 90 V, MAX HOT  
 DROPOUT 45 ± 20 V  
 RATED DUTY CONTINUOUS  
 OPERATING TEMP. 85° C  
 MAX. WEIGHT 14 OZ.

HERMETICALLY SEALED  
 115/200 V, 400 CYCLES  
 3PDT CENTER OFF  
 30 AMP, 115 V, 400 CYCLES  
 20 AMP, 115V 400 CYCLES  
 115V, 400 HZ  
 90 V, MAX HOT  
 45 ± 20 V  
 CONTINUOUS  
 85° C  
 14 OZ.



21	1	39529-009	OVERLAY			
20	1	39529-047	OVERLAY			
19	1	39529-023	OVERLAY			
18	1	58400-044	PLATE - FAA / PMA			
17	9	51810-054	WASHER - LOCK NO. 10 SPLIT	NASM35338-98	BRONZE	
16	4	51806-014	WASHER - LOCK NO. 6 SPLIT	MS35338-100	BRONZE	
15	2	51805-011	WASHER - LOCK NO. 5 SPLIT		BRONZE	
14	9	51702-844	WASHER 3/8 X 13/64 X .032		BRASS	
13	4	51702-204	WASHER 3/8 X 9/64 X .032		BRASS	
12	2	51701-180	WASHER 3/16 X .103 X .015		MYLAR	
11	1	51205-591	SCREW 5-40 X 3/8 RD HD.		BRASS	
10	1	51205-391	SCREW, 5-40 X 1 1/8 RD HD.		STEEL	
9	9	50410-084	NUT, 10-32 X 3/8 X 1/8 HEX		BRASS	
8	4	50406-034	NUT, 6-32 X 1/4 X 5/64 HEX		BRASS	
7	1	19888-060	CONTACTOR ASSEMBLY - PRIMARY			
6	1	20363-001	PLATE - WIRING DIAGRAM			
5	1	17959-001	PLATE - WARNING			
4	1	16043-064	PLATE - NAME			
3	1	15553-001	SHEILD - TERMINAL - TOP			
2	1	15549-001	SHEILD - TERMINAL			
1	1	15537-039	PLATE - BASE COVER			

FIND NO	QTY REQD	PART OR IDENTIFYING NO	NOMENCLATURE OR DESCRIPTION	FSCM NO	DRAWING OR SPECIFICATION	MATERIAL OR NOTE
---------	----------	------------------------	-----------------------------	---------	--------------------------	------------------

UNLESS OTHERWISE SPECIFIED DIMENSIONS ARE IN INCHES TOLERANCES ON

2 PL DEC.	3 PL DEC.	ANGLES
± .03	± .010	± 1'

MATERIAL

DR BY	PJC	93/08/13
CHK BY	WS	93/08/16
ENGR	DKN	93/08/19
MFG	JF	93/08/19

SIZE CODE IDENT  
C 74063

SCALE NONE SHEET

**TE**  
 Hartman Division 175 N. DIAMOND STREET MANSFIELD, OHIO 44902

CONTACTOR - 3PDT CENTER OFF  
 HERMETICALLY SEALED 093

DWG NO. DHR-18-1

REF TE P/N 1616050-9

DASH NO.	NEXT ASSY	USED ON
		APPLICATION