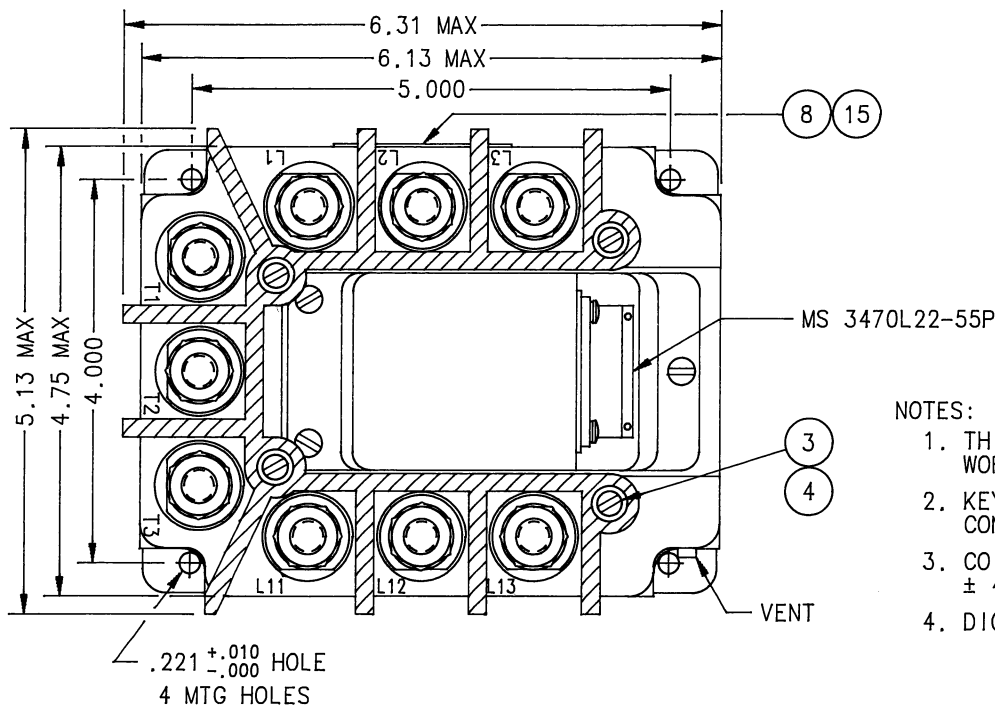


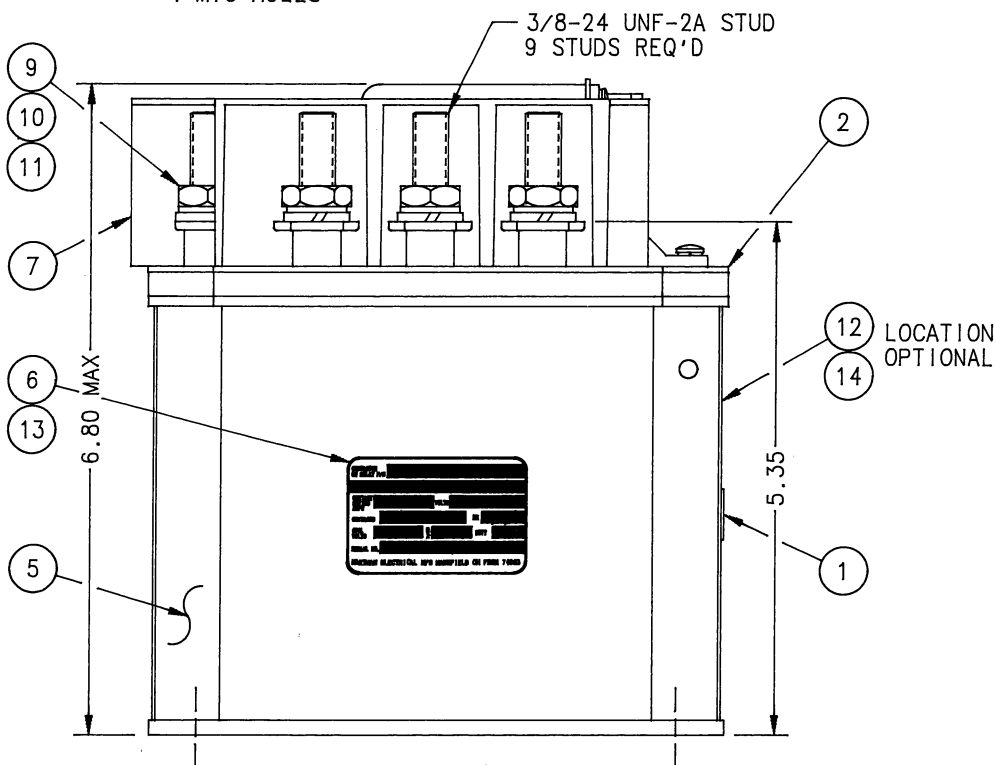
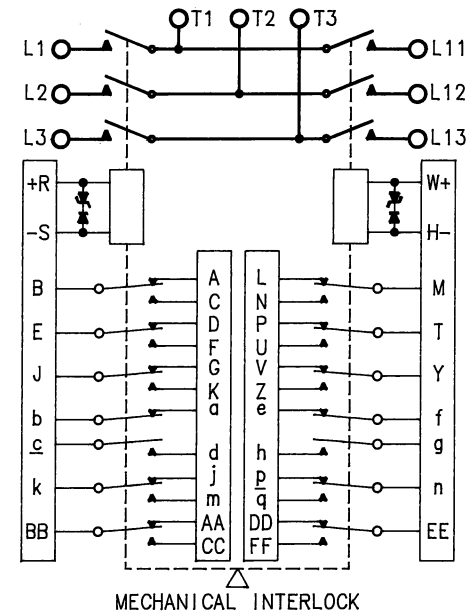
FAA/PMA

REVISIONS		RELEASED	DATE	APPROVED
SYM	DESCRIPTION			
L	22463	ADDED ITEM 15	92/12/29	WS
M	30313	FIND NO 4 WASHER-LOCK NO 6 INT WAS SPLIT	96/05/22	RS



NOTES:

1. THIS UNIT MEETS THE MATERIAL AND WORKMANSHIP REQUIREMENTS OF MIL-R-6106
2. KEYWAY POSITIONED TOWARDS TOP OF CONNECTOR
3. COIL TRANSIENT VOLTAGE LIMITED TO ± 42V MAX
4. DIODES TO BE JANTX 1000 PIV



15	1	39529-008	OVERLAY		
14	1	39529-024	OVERLAY		
13	1	39529-031	OVERLAY		
12	1	58400-107	FAA/PMA		
11	9	51807-084	WASHER - 3/8 X .688 X .094 SPLIT		BRONZE
10	9	51704-024	WASHER - 5/8 X .390 X .064		BRASS
9	9	50407-164	NUT - 3/8-24 X 5/8 X 7/32		BRASS
8	1	41901-001	PLATE - WIRING DIAGRAM		
7	1	25606-002	SHIELD - TERMINAL		
6	1	16043-001	PLATE - NAME		
5	1	38890-020	CONTACTOR ASSY. - PRI.		
4	4	51806-031	WASHER - LOCK NO.6 INT.		S. STEEL
3	4	51206-821	SCREW - 6-32 X 1-1/2 RD.HD.		STEEL
2	1	38762-001	PLATE - BASE COVER		
1	1	25695-001	PLATE - WARNING		

FIND NO	QTY REQD	PART OR IDENTIFYING NO	NOMENCLATURE OR DESCRIPTION	DRAWING OR SPECIFICATION	MATERIAL OR NOTE
UNLESS OTHERWISE SPECIFIED DIMENSIONS ARE IN INCHES TOLERANCES ON			REF McDONNELL DOUGLAS MD-11	HARTMAN ELECTRICAL MANUFACTURING MANSFIELD, OHIO	
2 PL DEC. 3 PL DEC. ANGLES			DR BY RLS 96/06/04	A.C. POWER CONTACTOR	
±.06 ±.010 ± 1°			CHK BY RS 96/06/04	175 - 250 AMP	
MATERIAL			ENGR WRS 96/06/06	TPDPT CENTER OFF 093	
			MFG JKH 96/06/06		
			RELEASE	SIZE C	CODE IDENT 74063
			CONTR NO.	DWG NO. B-461D	
			GOVT APPVL	SCALE 1/2	SHEET