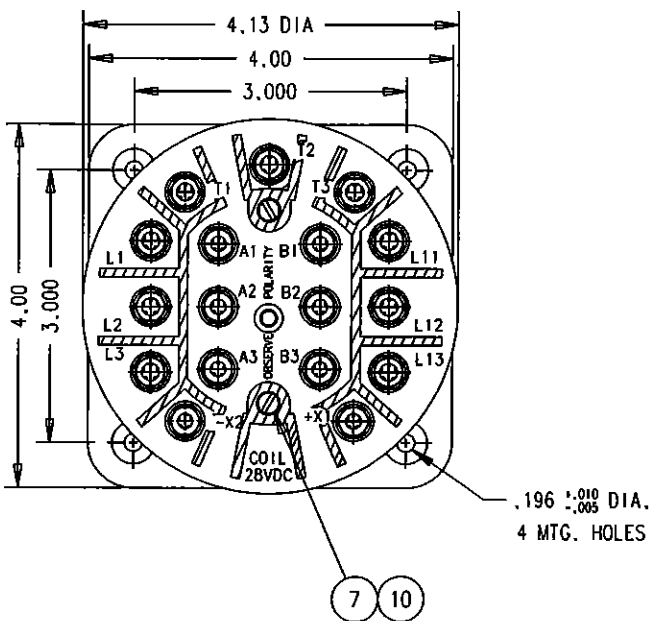
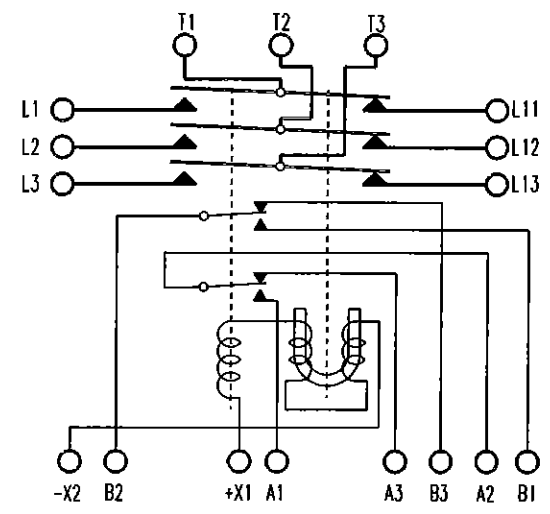


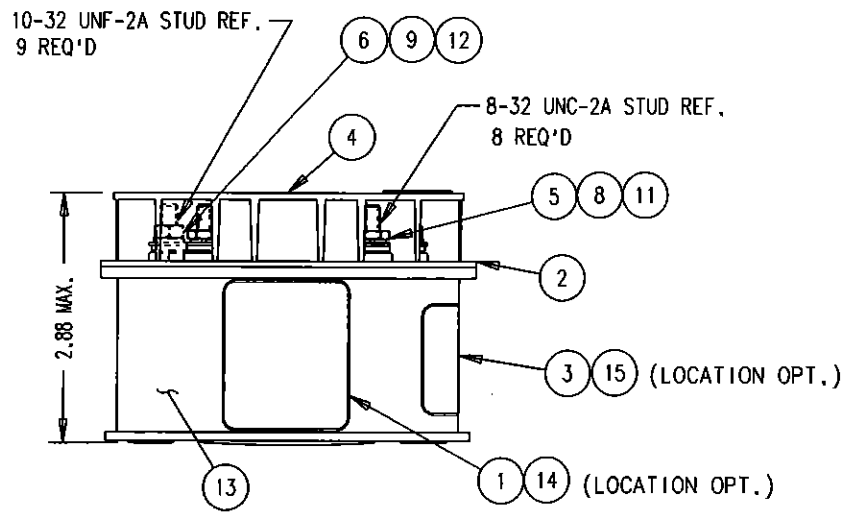
REVISIONS		RELEASED	DATE	APPROVED
REV.	DESCRIPTION			
F 35256	REDRAWN, VIEWS UPDATED TO REFLECT CERAMIC SEALS, FIND NOS 14 & 15 ADDED		98/04/02	RS



OPERATING VOLTAGE
 COIL 28 VDC
 CONTACTS 200 VAC, 400 HZ
 CONTACT RATING, MAIN
 RESISTIVE 60 AMPS/PHASE
 INDUCTIVE (75% P.F.) 60 AMPS
 MOTOR 60 AMPS
 28 V.D.C. NOT SUITABLE
 CONTACTS
 MAIN T.P.D.T. N.C.
 AUXILIARY 2 SPDT
 PICKUP VOLTAGE 20 V. MAX., HOT
 DROPOUT VOLTAGE 7-10 5 V.
 DESIGNED FOR AMBIENTS UP TO 120°C
 COIL CURRENT AT 28 V. & 25° C. .50 AMP MAX.
 MAX. WEIGHT 2 LBS.
 VIBRATION PER PROCEDURE 1 MIL-E-5272A
 MIN. OPERATING CYCLES 50,000
 AUX. CONTACT RATING
 INDUCTIVE 3 AMPS
 RESISTIVE 5 AMPS
 MOTOR 3 AMPS



- NOTES:
 1. "WARNING HIGH VOLTAGE" TO BE STAMPED TOP SURFACE OF TERMINAL SHIELD.
 2. MAX LEAK RATE PER MIL-R-6106 IS 19.5×10^{-5} STD CC/SEC.



15	1	39529-009	OVERLAY			
14	1	39529-001	OVERLAY			
13	1	34315-030	CONTACTOR ASSY. - PRIMARY			
12	9	51810-054	WASHER - LOCK NO.10 SPLIT			BRASS
11	8	51808-064	WASHER - LOCK NO.8 SPLIT			BRASS
10	2	51806-031	WASHER - LOCK NO.6 INT.			BRONZE
9	9	51702-844	WASHER - .375 X .203 X .032 FLAT			BRONZE
8	8	51712-104	WASHER - .375 X .171 X .032 FLAT			BRONZE
7	2	51206-641	SCREW - 6-32 X 3/4 FILL.HD.			BRASS
6	9	50410-054	NUT - 10-32 X .312 X .140 HEX			BRASS
5	8	50408-034	NUT - 8-32 X .312 X .093 HEX			BRASS
4	1	13645-002	SHIELD - TERMINAL			
3	1	31949-001	PLATE - WIRING DIAGRAM			
2	1	14425-045	PLATE - BASE COVER			
1	1	16043-001	PLATE - NAME			
FIND NO	QTY REQD	PART OR IDENTIFYING NO	NOMENCLATURE OR DESCRIPTION	FSCM NO	DRAWING OR SPECIFICATION	MATERIAL OR NOTE
UNLESS OTHERWISE SPECIFIED DIMENSIONS ARE IN INCHES TOLERANCES ON			HARTMAN ELECTRICAL MANUFACTURING MANSFIELD, OHIO			
2 PL DEC. 3 PL DEC. ANGLES			CONTACTOR - A.C. POWER, T.P.D.T. N.C. (HERMETICALLY-SEALED) 093			
± .03 ± .010 ± 1°			DR BY RLS 98/05/11 CHK BY RS 98/05/11 ENGR WLR 98-05-26 MFG CC 98/05/26			
RELEASE			SIZE C	CODE IDENT 74063	DWG NO. BH-138XAH	
CONTR NO.			SCALE NONE SHEET			
GOVT APPVL						