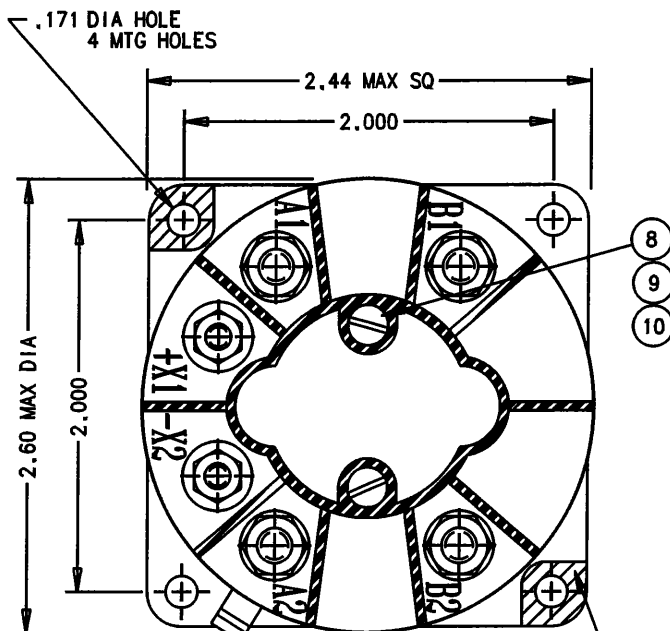


REVISIONS		RELEASED	REV. D
REV	DESCRIPTION	DATE	APPROVED
B	45017 UPDATED VIEW	01/07/19	CC
C	45456 REMOVED 'PRELIMINARY DRAWING'	01/09/13	CC
D	45604 ADDED NOTES 2 THRU 4	01/09/28	CC



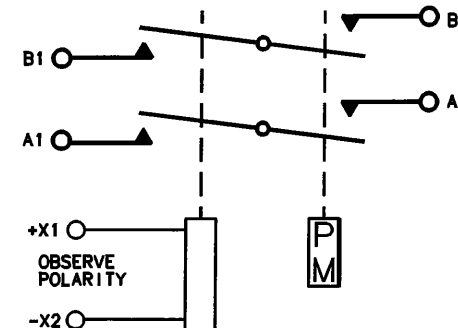
**CONSTRUCTION** GASKET SEALED (VENTED)

**MAIN CONTACTS CONFIGURATION** 2PST SIDESTABLE (DOUBLE BREAK)  
**VOLTAGE** 220 VAC 400 HZ  
**CURRENT RESISTIVE** 60 AMPS

**COIL DATA**  
**DUTY CYCLE** CONTINUOUS  
**MAX COIL VOLTAGE** 32 VDC  
**NOMINAL COIL VOLTAGE** 28 VDC  
**PICKUP MAX** 18 VDC AT 71°C  
**DROPOUT VOLTAGE** 1.5 TO 7.0 VDC

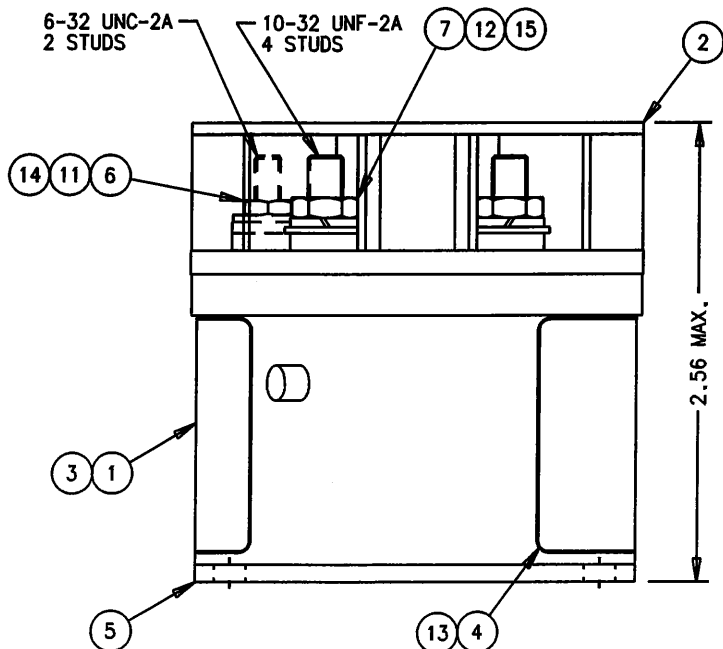
**ENVIRONMENTAL DATA**  
**AMBIENT TEMPERATURE** -55°C TO +71°C  
**ALTITUDE** 50,000 FEET

**LIFE ELECTRICAL** 50,000 CYCLES MINIMUM  
**LIFE MECHANICAL** 100,000 CYCLES MINIMUM  
**WEIGHT MAX** 13 OZ.



VENT LOCATION OPTIONAL  
 PAINT REMOVED BOTH SIDES OF EITHER OF 2 OPPOSITE MTG HOLES

- NOTES:**
1. THIS UNIT IS DESIGNED TO MEET THE BASIC REQUIREMENTS OF MIL-R-6106 EXCEPT AS NOTED.
  2. FUNGUS PROOF PER MIL-V-173 AND MIL-T-152.
  3. STORAGE TEMP PER MIL-STD-810E, TEST 501-3
  4. EXPLOSIVE ATMOSPHERE PER MIL-STD-810E, METHOD 511.3, PROCEDURE 1



FIND NO	QTY REQD	PART OR IDENTIFYING NO	NOMENCLATURE OR DESCRIPTION	FSCM NO	DRAWING OR SPECIFICATION	MATERIAL OR NOTE
15	4	51702-844	WASHER - 3/8 X 13/64 X .032 FLAT			BRASS
14	2	51702-204	WASHER - 3/8 X 9/64 X .032 FLAT			BRASS
13	1	39529-002	OVERLAY - WIRING DIAGRAM			
12	4	51810-054	WASHER LOCK #10 SPLIT			BRONZE
11	2	51806-014	WASHER LOCK #6 SPLIT			BRONZE
10	2	51805-011	WASHER LOCK #5 SPLIT			BRONZE
9	2	51701-180	WASHER-3/16 X .103 X .015			MYLAR
8	2	51205-561	SCREW 5-40 X 7/16 RD. HD.			BRASS
7	4	50410-054	NUT 10-32 X 5/16 X 7/64 HEX.			BRASS
6	2	50406-034	NUT. 6-32 X 1/4 X 5/64 HEX.			BRASS
5	1	45315-010	CONTACTOR ASSEMBLY PRIMARY			
4	1	20265-001	PLATE - WIRING DIAGRAM			
3	1	39529-001	OVERLAY - NAMEPLATE			
2	1	15549-001	SHIELD-TERMINAL			
1	1	16043-001	PLATE - NAME			

FIND NO	QTY REQD	PART OR IDENTIFYING NO	NOMENCLATURE OR DESCRIPTION	FSCM NO	DRAWING OR SPECIFICATION	MATERIAL OR NOTE
UNLESS OTHERWISE SPECIFIED DIMENSIONS ARE IN INCHES TOLERANCES ON			<b>Cii Technologies™</b> Hartman Division • 175 W. DIAMOND STREET • MAPLE, OHIO 44060 CONTACTOR - 2PST SIDESTABLE (DOUBLE BREAK) 60 AMP, 220 VAC 400 HZ 093			D-7KD
2 PL DEC. 3 PL DEC. ANGLES						
±.06	±.010	± 1°	DR BY CSC 01/10/22	SIZE	CODE IDENT	DWG NO.
			CHK BY CC 01/10/23	C	74063	
			ENGR MFS 01/10/23	CONTR NO.		
			MFG JH 01/10/25	GOVT APPVL		
			RELEASE	SCALE	NONE	SHEET