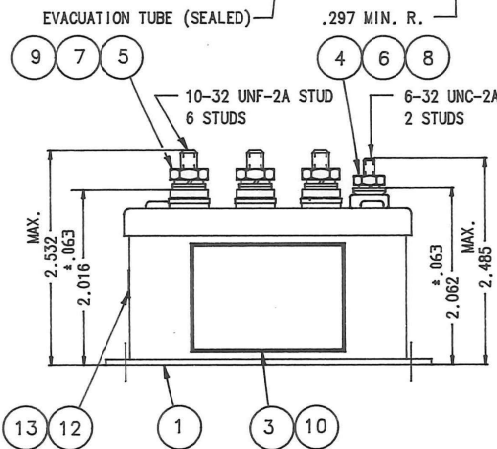
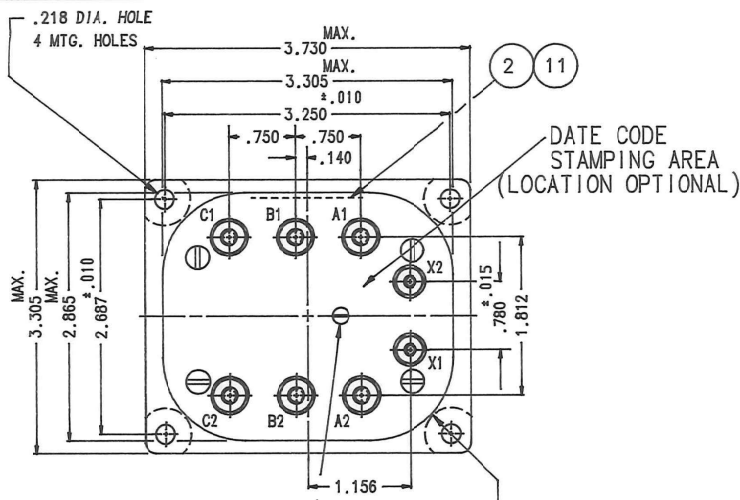
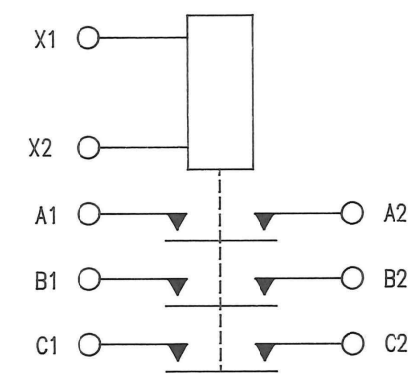


FAA/PMA

REV. NO.		DESCRIPTION	DATE	APPROVED
N	25030	UPDATE NOTE 3(PG.2) DELETE *CADMIUM* PROCESS	93/11/8	W.S.
P	26023	ADDED ITEM 12 & 13	94/5/4	RS



CONSTRUCTION HERMETIC SEALED, REPAIRABLE  
 CONTACT CONFIGURATION MAINS 3 P S T N.O  
 CONTACT RATING  
 VOLTAGE 115 VAC 400 HZ 28 VDC  
 CURRENT AT 125° C MAINS MAINS  
 RESISTIVE 50 AMP 50 AMP  
 MOTOR 50 AMP 50 AMP  
 INDUCTIVE 50 AMP 25 AMP  
 LAMP 25 AMP 25 AMP  
 COIL DATA  
 RATING CONTINUOUS DUTY  
 NOMINAL VOLTAGE 28 VDC  
 PICKUP VOLTAGE 18 VDC MAX.  
 DROPOUT VOLTAGE 1.5 - 7 VDC  
 CURRENT AT 29 VDC 0.6 AMPS MAX.  
 OPERATE TIME AT 25°C & 28 VDC  
 CLOSE TIME 0.025 SECONDS MAX.  
 RELEASE TIME 0.010 SECONDS MAX.  
 BOUNCE MAIN 2 MS MAX.  
 AMBIENT TEMPERATURE -55°C TO +125°C  
 LIFE ELECTRICAL 100,000 CYCLES  
 LIFE MECHANICAL 200,000 CYCLES  
 WEIGHT 1.12 LBS. MAX.



NOTE:  
SEE SHEET 2 OF 2 FOR DETAILED VIEW OF ITEMS 2 & 3.

FIND NO	QTY REQD	PART OR IDENTIFYING NO	NOMENCLATURE OR DESCRIPTION	FSCM NO	DRAWING OR SPECIFICATION	MATERIAL OR NOTE
10	1	39529-001	OVERLAY			
9	6	51810-054	WASHER LOCK NO. 10 SPLIT		AN 935 B10	BRONZE
8	2	51806-014	WASHER LOCK NO. 6 SPLIT		AN 935 B6	BRONZE
7	12	51702-844	WASHER FLAT 3/8 X 13/64 X .032			BRASS
6	4	51702-204	WASHER FLAT 3/8 X 9/64 X .032			BRASS
5	6	50410-084	NUT 10-32 X 3/8 X 1/8 HEX			BRASS
4	2	50406-064	NUT 6-32 X 5/16 X 7/64 HEX			BRASS
3	1	42942-001	PLATE-NAME			
2	1	42943-001	PLATE-WIRING DIAGRAM			
1	1	42301-010	CONTACTOR ASSEMBLY-PRI.			

HARTMAN ELECTRICAL MANUFACTURING MANSFIELD, OHIO		
RELAY-60 AMP, 115 VAC, 400 HZ OR 28 VDC		
DR BY	CSE	94/5/13
CHK BY	RS	94/5/13
ENGR	DM	94/05/28
MFG	J	94/5/23
RELEASE		
CONTR NO.		
GOVT APPVL		
SIZE	CODE IDENT	DWG NO.
C	74063	BH-316
SCALE	NONE	SHEET 1 OF 2

UNLESS OTHERWISE SPECIFIED  
DIMENSIONS ARE IN INCHES  
TOLERANCES ON  
2 PL DEC. 3 PL DEC. ANGLES  
± .06 .010 ± 1°

FIND NO	QTY REQD	PART OR IDENTIFYING NO	NOMENCLATURE OR DESCRIPTION	FSCM NO	DRAWING OR SPECIFICATION	MATERIAL OR NOTE
13	1	39529-024	OVERLAY			
12	1	58400-127	PLATE-FAA/PMA			
11	1	39529-007	OVERLAY			

BH-316 REV.

REVISIONS		RELEASED	
REV.	DESCRIPTION	DATE	APPROVED
	SEE SHEET NO. 1 FOR REVISIONS		

RELAY, 50 AMP, 3PST NO  
TYPE 1, REPAIRABLE  
CONTACTS 28VDC OR 115VAC, 400HZ  
COIL 28VDC  
PART NO BH-316  
SERIAL NO [REDACTED]  
HARTMAN ELECTRICAL MFG  
MANSFIELD OHIO FSCM 74063

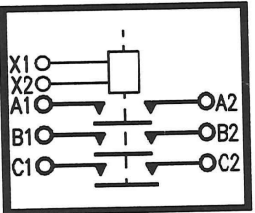


PLATE-NAME  
42942-001

PLATE-WIRING DIAGRAM  
42943-001

NOTES:

- DIELECTRIC  
MAIN CONTACTS TO ALL MUTUALLY INSULATED POINTS 1500 V RMS  
COIL TO ALL MUTUALLY INSULATED POINTS 1000 V RMS  
MAXIMUM LEAKAGE CURRENT FOR ALL DIELECTRIC TEST POINTS IS 1 mA.
- MTG. HOLES ARE SPOT FACED TOP & BOTTOM.
- ITEMS 4 THRU 9 ARE SILVER PLATED.
- ENCLOSURE IS ALUMINUM (TOP, BOTTOM AND SIDES)
- 10-32 TERMINALS ARE STAINLESS STEEL WITH COPPER CORE
- RELAY FINISH IS FLAT BLACK.
- MANUFACTURING DATE CODE TO BE YEAR, WEEK (YY,XX)
- 6-32 TERMINALS ARE SILVER PLATED BERYLCO ALLOY  
10HT OR 14HT MOUNTED IN CERAMIC INSULATORS
- REVISION "K" ENCOMPASSES THE USE OF CERAMIC AS  
SUBSTITUTE FOR GLASS SEAL ON 6-32 COIL TERMINAL  
EFFECTIVITY DATE 9238, SERIAL NO. CK92784

UNLESS OTHERWISE SPECIFIED DIMENSIONS ARE IN INCHES TOLERANCES ON		HARTMAN ELECTRICAL MANUFACTURING MANSFIELD, OHIO		
		RELAY-60 AMP, 115 VAC, 400 HZ, OR 28 VDC		
DR BY CSE 94/5/13		SIZE C	CODE IDENT 74063	DWG NO. BH-316
CHK BY [REDACTED] 94/5/13				
ENGR [REDACTED] 94/5/13		093		
MFG [REDACTED] 94/5/13				
RELEASE		SHEET 2 OF 2		
CONTR NO.		SCALE NONE		
GOVT APPVL				
2 PL DEC, 3 PL DEC, ANGLES				
± .06	.010	± 1°		