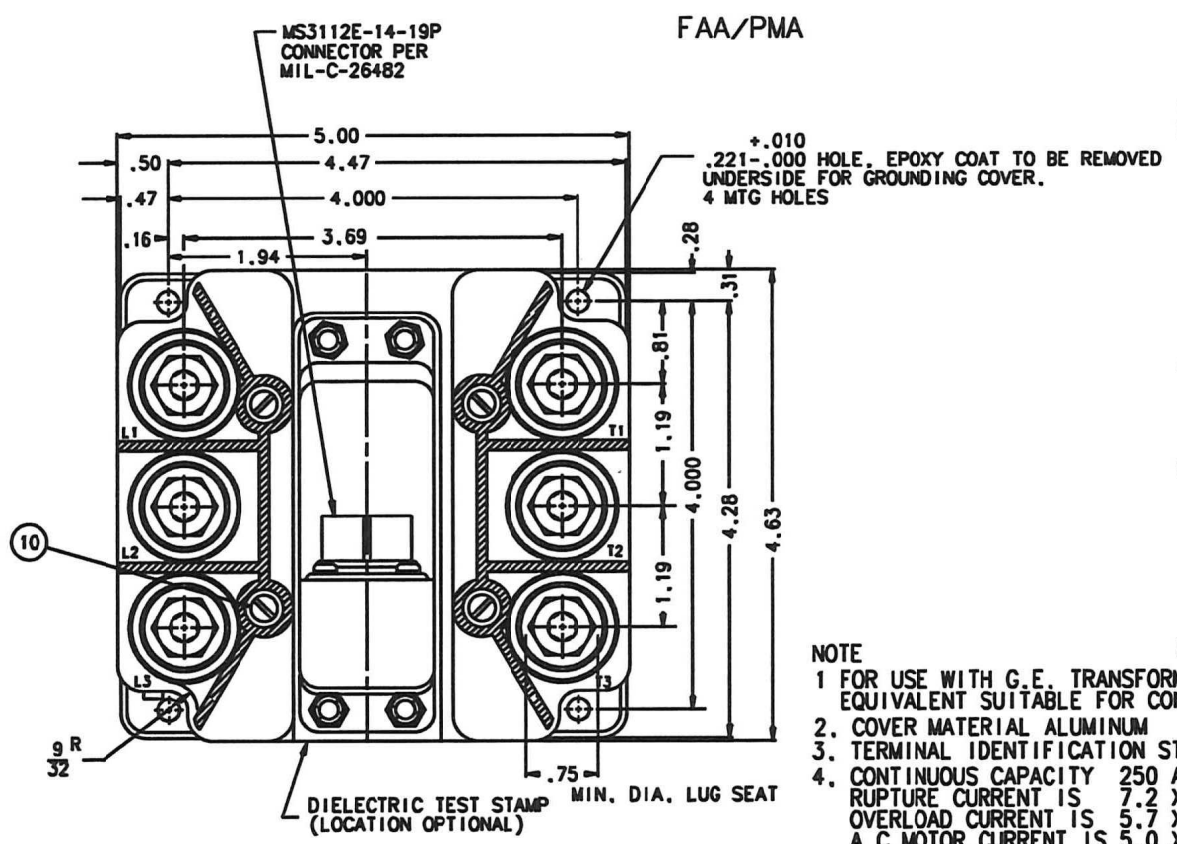


REVISIONS			RELEASED	
SYM	DESCRIPTION	DATE	APPROVED	
T	47111	ADDED ITEMS 17 - 19	02/03/15	CC
U	07-002742	ADDED ITEM 20	06/11/29	CB



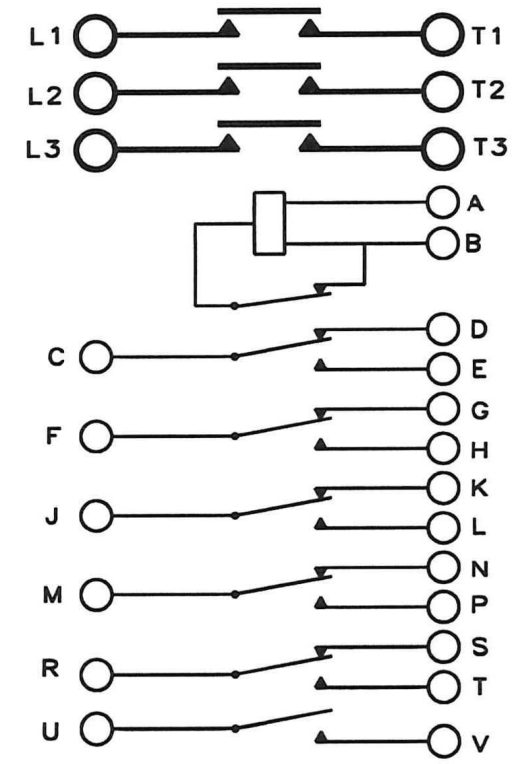
CONSTRUCTION  
 MAIN CONTACTS  
 CONFIGURATION 3 PST N.O. DOUBLE BREAK  
 VOLTAGE (NOMINAL) 208 VAC 400 HZ.  
 CURRENT: RES. 250 AMP  
 IND. MOTOR 250 AMP  
 RUPTURE 1800 AMP  
 OVER LOAD 1425 AMP

OPERATE TIME:  
 OPENING 50 MILLISECONDS MAX (INTER D.C. SIDE)

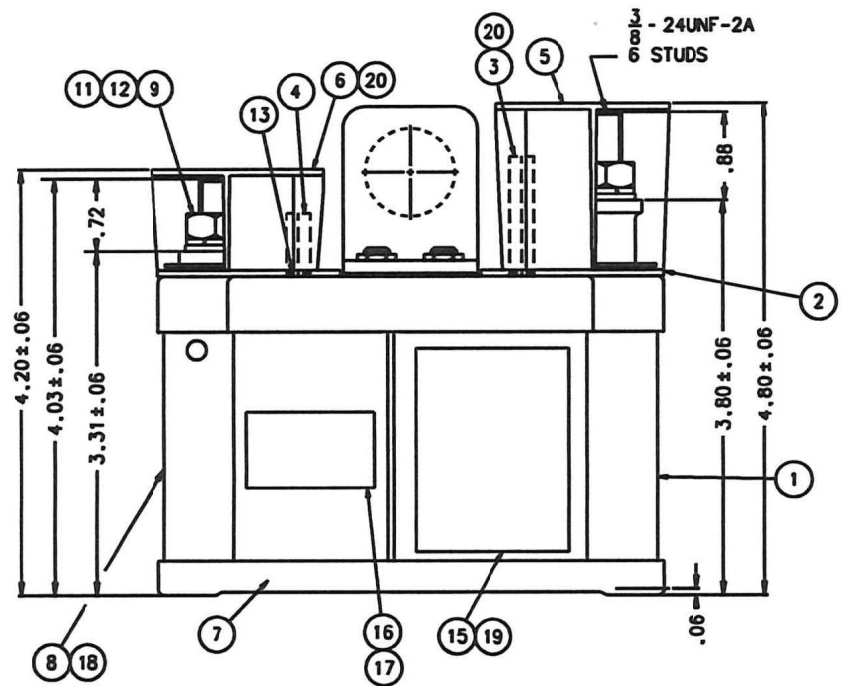
AUXILIARY CONTACTS  
 CONFIGURATION 1-SPST N.O., 5-SPDT  
 VOLTAGE (NOMINAL) 28 VDC 115/208 VAC 400 HZ  
 CURRENT RES. 10 AMP LIMITED TO 7-1/2 AMP CON.

COIL DATA  
 DUTY CYCLE CONTINUOUS ECONOMIZING (SEE NOTE #1)  
 NOM. COIL VOLTAGE 18 TO 38 VDC  
 PICKUP MAX. 15.5 VDC OR 90 VAC (THRU T/R UNIT) AT 25°  
 DROPOUT VOLTAGE 7.5 VOLTS TO 3 VOLTS AT 25°C  
 RESISTANCE: HOLD 102 OHM ±20% AT 25°C  
 INRUSH 6.7 OHM ±20% AT 25°C

MAX. WEIGHT 5 LBS. 4 OZ.



- NOTE
- FOR USE WITH G.E. TRANSFORMER RECTIFIER UNIT 6RW105YF1 OR EQUIVALENT SUITABLE FOR CONTINUOUS OPERATION AT 28 V.D.C.
  - COVER MATERIAL ALUMINUM
  - TERMINAL IDENTIFICATION STAMPED ON COVER PLATE
  - CONTINUOUS CAPACITY 250 AMP  
 RUPTURE CURRENT IS 7.2 X CONT. CAP.  
 OVERLOAD CURRENT IS 5.7 X CONT. CAP.  
 A C MOTOR CURRENT IS 5.0 X RATED MOTOR LOAD
  - TERMINAL SHIELDS TO BE STAMPED "DANGER-HIGH VOLTAGE"
  - THE CONTACTOR SHALL CONFORM TO THE REQUIREMENTS OF MIL-R-6106C TO THE EXTENT SPECIFIED HEREIN.
  - FORMAL VERIFICATION OF COMPLIANCE OF THIS DRAWING TO MIL-R-6106C SHALL BE TO THE EXTENT SPECIFIED BY HARTMAN DOCUMENT NO. SM-284FM
  - COVER & BASE MATERIAL IS ALUMINUM
  - TERMINAL SHIELD (5) NYLON 3001  
 PLATE-BASE COVER (2) GLASS  
 MELANINE MIL-P-15037C



FIND NO	QTY RECD	PART OR IDENTIFYING NO	NOMENCLATURE OR DESCRIPTION	FSCM NO	DRAWING OR SPECIFICATION	MATERIAL OR NOTE
20	AR	54101-003	LOCTITE 290			
19	1	39529-002	OVERLAY - WIRING DIAGRAM			
18	1	39529-001	OVERLAY - NAMEPLATE			
17	1	39529-024	OVERLAY - FAA/PMA PLATE			
16	1	58400-025	PLATE-FAA/PMA			
15	1	30202-001	PLATE WIRING DIAGRAM			
13	4	51808-011	WASHER, LOCK #8 INT.	AN9368B		BRONZE
12	6	51807-071	WASHER, LOCK 3/8X.688X.094 SPLIT	AN935-616		STEEL
11	6	51704-161	WASHER, 5/8X.390X.064	AN960-616		FLAT STEEL
10	4	51208-641	SCREW, 8-32X5/16 PAN HD.			BRASS SEMS
9	6	50407-141	NUT, 3/8-24X9/16X9/32 HEX.	AN315-6R		STEEL
8	1	16043-001	PLATE-NAME			
7	1	15457-030	CONTACTOR ASSEM. -PRI. A.C. POWER			
6	1	14566-005	SHIELD-TERMINAL			
5	1	14566-001	SHIELD-TERMINAL			
4	2	13564-004	NUT-COVER PLATE			
3	2	13564-003	NUT-COVER PLATE			
2	1	13304-001	PLATE-BASE COVER			
1	1	12771-001	PLATE-WARNING			

**Tyco Electronics**  
 Hartman Division, 175 N. Diamond Street, Mansfield, Ohio 44902

DR BY CSC 02/04/08  
 CHK BY CC 02/04/16  
 ENGR WER 02/04/23  
 MFG MB 02/04/16

SIZE C CODE IDENT 74063

CONTACTOR - A.C. POWER  
 250 AMP, 3PST N.O. 093

DWG NO. B-125BA

REF TYCO P/N 1616002-1

UNLESS OTHERWISE SPECIFIED  
 DIMENSIONS ARE IN INCHES  
 TOLERANCES ON

2 PL DEC. 3 PL DEC. ANGLES  
 ± .03 ± .010 ± 1°

DASH NO.	NEXT ASSY	USED ON
APPLICATION		