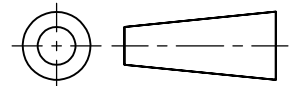


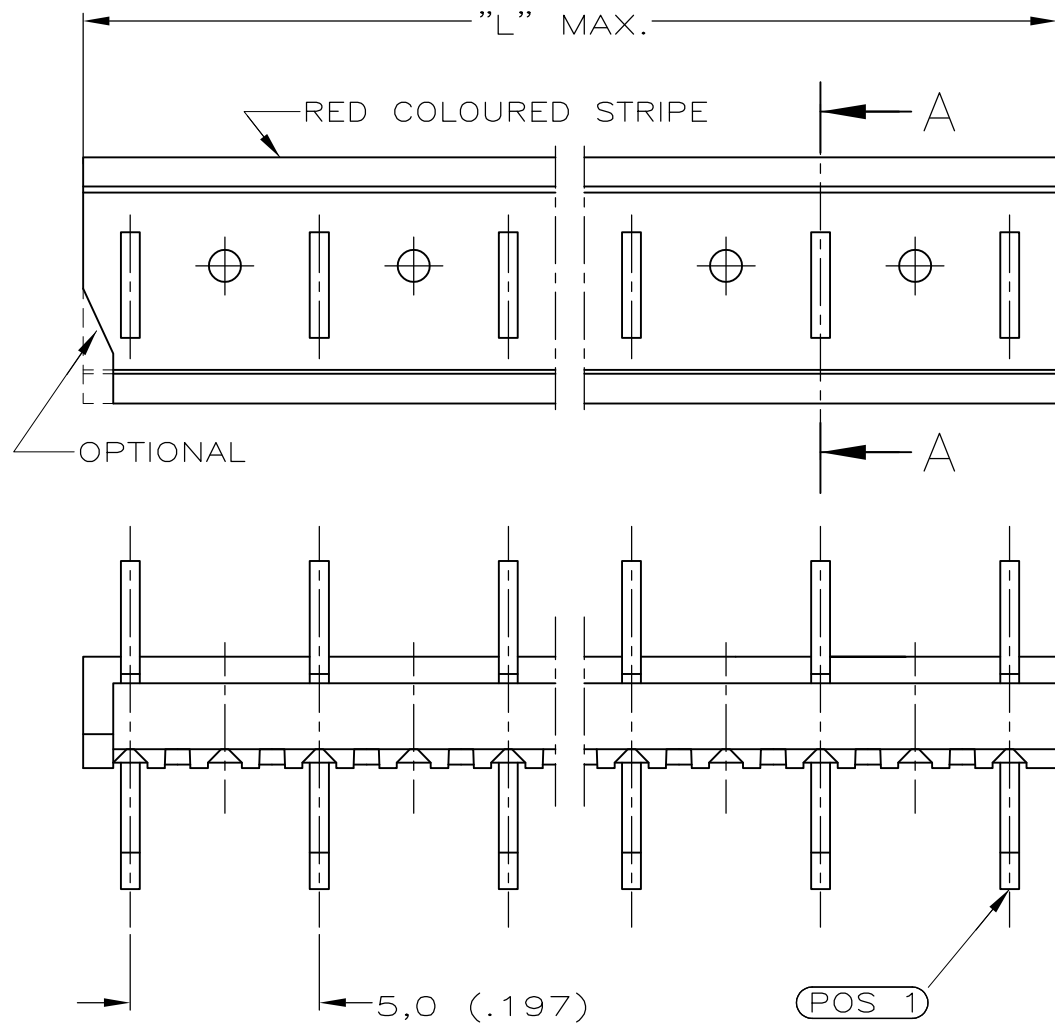
DO NOT SCALE
DIMENSIONS IN mm

METRIC

THIRD ANGLE
PROJECTION

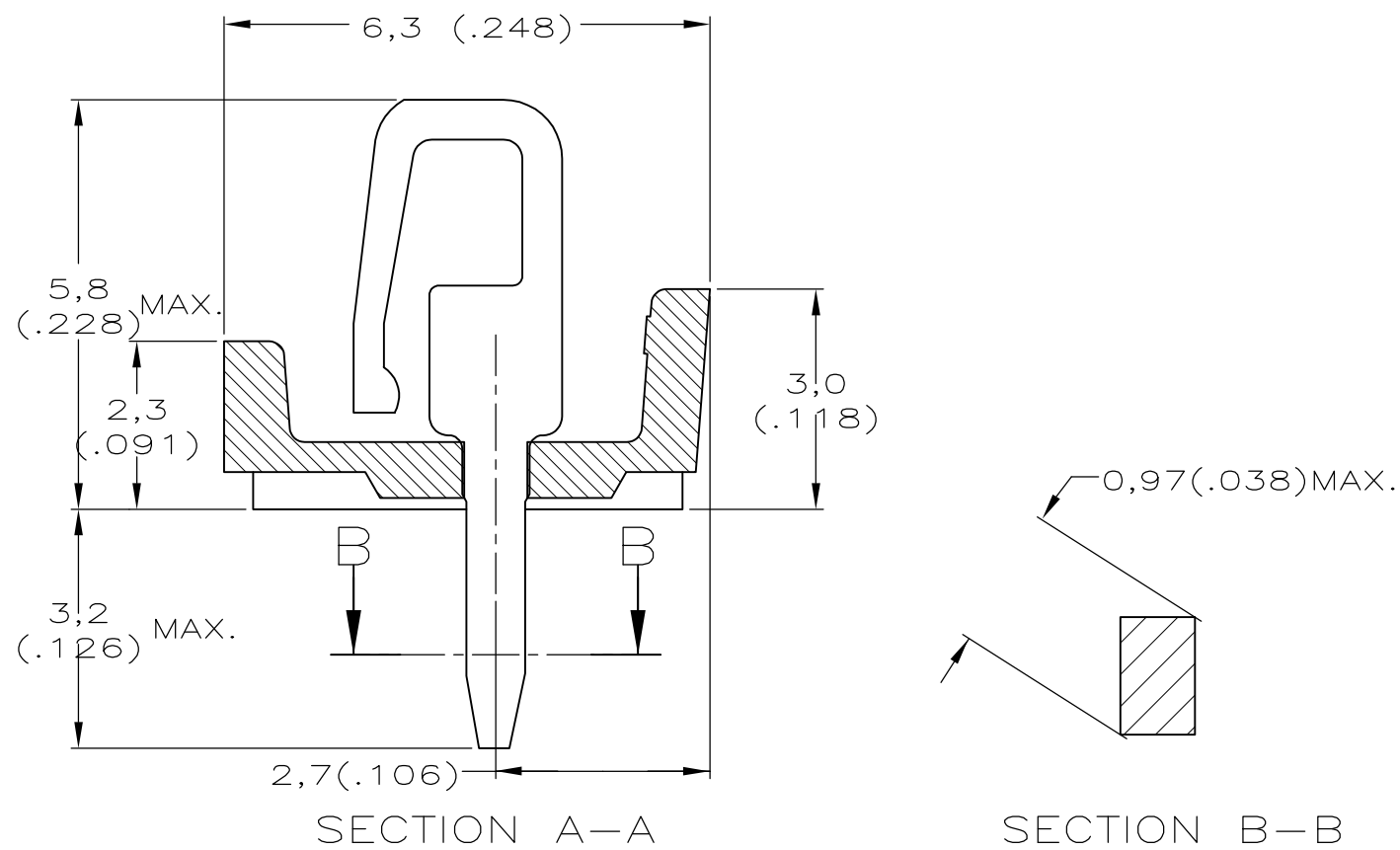


REVISIONS					
P	LTR	DESCRIPTION	DATE	DWN	APVD
—	—	H1 REVISED PER ECO-09-024717	06NOV09	KK	AEG



1 OBSOLETE PARTS: OBSOLETE CIS STREAMLINING
PER D.RENAUD/D.SINISI

	PARTNUMBER	NUMBER OF POS.	"L" MAX.	
			mm	INCH
OBSOLETE	0-161501-2	2	7,5	.295
1	0-161501-3	3	12,5	.492
	0-161501-4	4	17,5	.689
	0-161501-5	5	22,5	.886
OBSOLETE	0-161501-6	6	27,5	1.083
	0-161501-7	7	32,5	1.280
	0-161501-8	8	37,5	1.476
1	0-161501-9	9	42,5	1.673
	1-161501-0	10	47,5	1.870
	1-161501-1	11	52,5	2.067
	1-161501-2	12	57,5	2.264
	1-161501-3	13	62,5	2.461
	1-161501-4	14	67,5	2.657
	1-161501-5	15	72,5	2.854



HOUSING: P.B.T. WITH 20% GLASS FILLED		SEE TABLE	
CONTACT:PHOSPHOR-BRONZE TIN-LEAD (93/7) PLATED		PARTNUMBER	
MATERIAL		AMP-HOLLAND B.V. 's-Hertogenbosch, The Netherlands.	
CUSTOMER DRAWING		AMP	
FOR REFERENCE ONLY WILL NOT BE UPDATED		THIS DRAWING IS UNPUBLISHED RELEASED FOR PUBLICATION - ,19-	
© COPYRIGHT 19 - BY AMP-HOLLAND B.V. ALL INTERNATIONAL RIGHTS RESERVED. AMP PRODUCTS MAY BE COVERED BY U.S. AND FOREIGN PATENTS AND/OR PATENTS PENDING.		MINI MATCH MALE CONNECTOR ASSEMBLY 2-15POS.PITCH:5,0mm	
DR. D.CAMPSCHROER	DATE 17.08.87	WIRE RANGE -	REV.DATE D M Y 06 11 09
CHK. D.CAMPSCHROER	DATE	INSUL.RANGE -	REV.LTR. H1
APP. L. van SOEST	DATE	SIZE A3	DWG. No. 161501
		SHEET 1 OF 1	

8 7 6 5 4 3 2 1