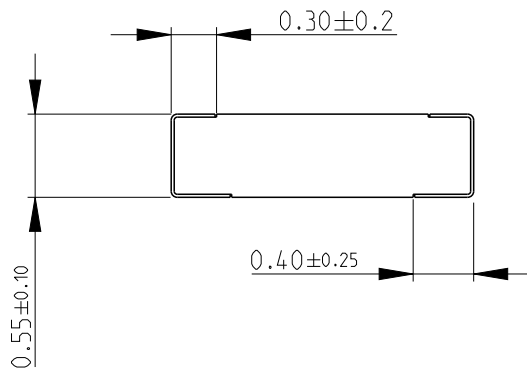
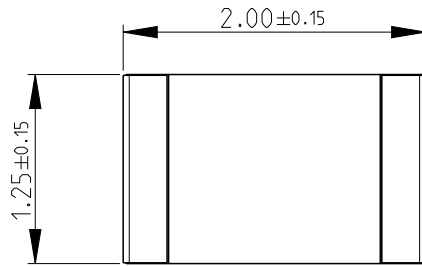
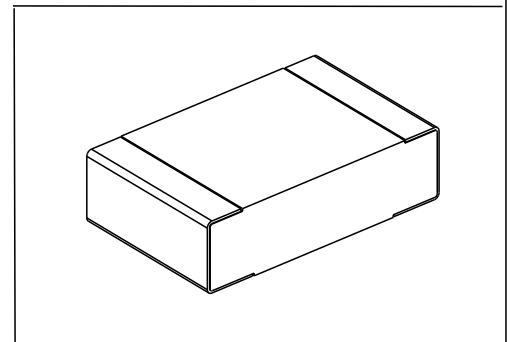
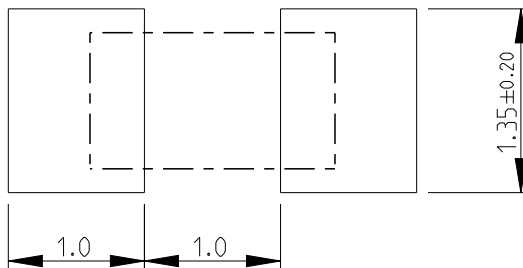


LOC	DIST	REVISIONS					
E	B	P	LTR	DESCRIPTION	DATE	DWN	APVD
		BA		NEW RELEASE	28FEB2013	KR	TN

FOR FURTHER INFORMATION SEE DATA SHEET FOR
RN73 SERIES-HIGH PRECISION RESISTORS (SMD)



RECOMMENDED LAND PATTERN



2010


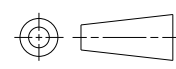
RELEASED FOR PUBLICATION

ALL RIGHTS RESERVED.

THIS DRAWING IS UNPUBLISHED.

BY -

© COPYRIGHT 2010

DIMENSIONS:	DWN RAGHAVENDRA.K	28FEB2013	MATERIAL	-	FINISH	-
mm	CHK ALLAN.P	28FEB2013	 TE Connectivity			
TOLERANCES UNLESS OTHERWISE SPECIFIED:	APVD TONY.N	28FEB2013				
0 PLC ±0.2	PRODUCT SPEC	-	NAME HIGH PRECISION RESISTORS - SMD			
1 PLC ±0.1	APPLICATION SPEC	-	SERIES RN73 2A			
2 PLC ±	WEIGHT	0.005 GR	SIZE	CAGE CODE	DRAWING NO	RESTRICTED TO
3 PLC ±			A 4	00779	©=1614652	-
4 PLC ±						
ANGLES ±5°	Customer Drawing		SCALE	20:1	SHEET	1 OF 1
						REV BA