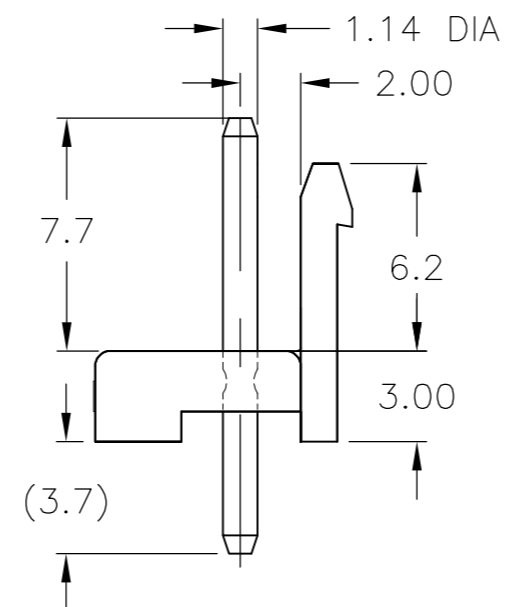
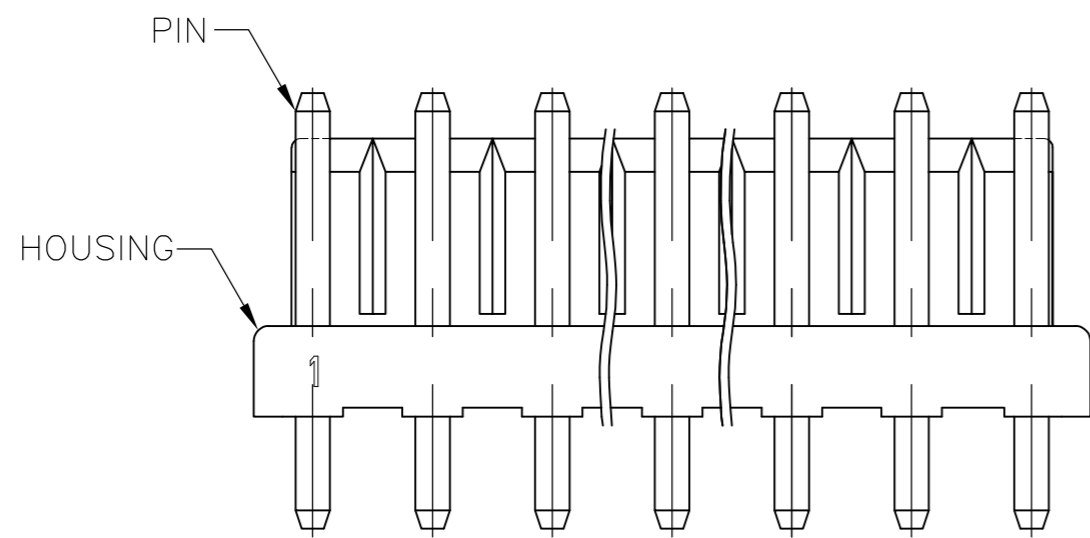
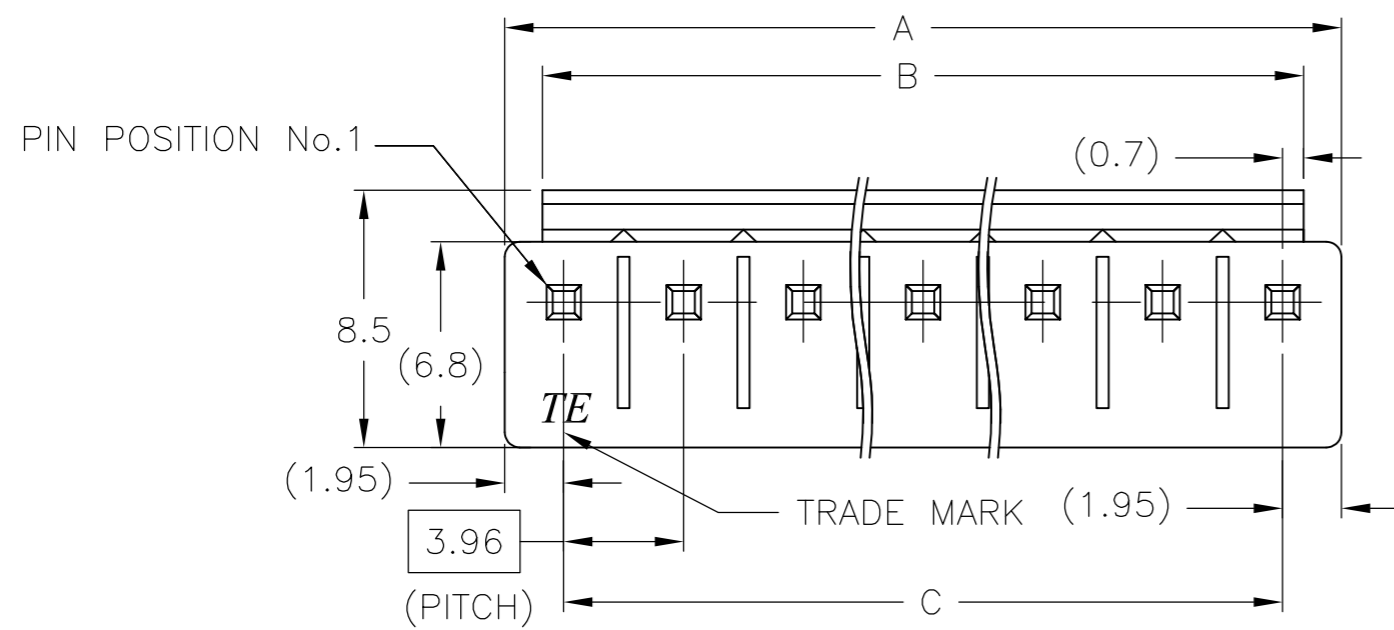


THIS DRAWING IS UNPUBLISHED. RELEASED FOR PUBLICATION
 © COPYRIGHT - By - ALL RIGHTS RESERVED.

REVISIONS					
P	LTR	DESCRIPTION	DATE	DWN	APVD
D1		REVISED PER ECR-17-000736	24JAN17	O.C	D.Z



$\phi 1.60^{+0.1}_{-0.0}$ (PUNCHED HOLE)
 $\phi 1.65^{+0.1}_{-0.0}$ (DRILLED HOLE)

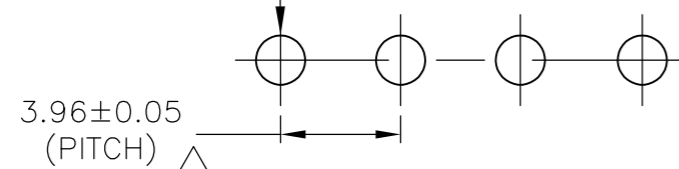


FIG. 1

- 1 MATING CONN P/N: □-1123722-□
- 2 APPLICABLE P.C.B LAYOUT: SEE FIG. 1
- 3 APPLICABLE P.C.B THICKNESS: 1.60
- 4 SKETCHES SHOW NO CONTACTS MISSING.
- 5 COMPLY WITH GLOW WIRE REQUIREMENTS FOR PARTS OF NON-METALIC MATERIAL SUPPORTING A CURRENT CARRYING CONNECTION DETAILED IN IEC 60335-1 SECTION 30 (GWT [GLOW WIRE TEST] 750° SPEC.
- 6 PIN: MATERIAL: BRASS
FINISH: POST TIN
- 7 HOUSING: PBT, 30% GLASS, UL94-V0
- 8 HOUSING: NYLON, 15% GLASS, UL94-V2
- 9 O : WITH PIN
X : WITHOUT PIN

NO	7	O	O	X	O	X	O	X	O	X	O	-	35.64	37.04	39.54	BLUE	10	2-1612911-0		
YES	8	O	X	O	X	O	X	O	X	O	-	35.64	37.04	39.54	NATURAL	10	7-1612911-6			
YES	8	O	O	X	O	X	O	X	O	X	O	-	35.64	37.04	39.54	NATURAL	10	7-1612911-0		
YES	8	O	X	X	O	O	O	O	O	O	-	35.64	37.04	39.54	NATURAL	10	1-1612911-8			
NO	7	O	X	O	X	O	X	O	X	O	-	35.64	37.04	39.54	NATURAL	10	1-1612911-6			
NO	7	O	O	X	O	X	O	X	O	X	O	-	35.64	37.04	39.54	NATURAL	10	1-1612911-0		
GWT	5	HOUSING MATERIAL										PIN POSITION			DIMENSION			COLOR	POS	PART NUMBER

THIS DRAWING IS A CONTROLLED DOCUMENT.

DWN: NAGALAKSHMI K CHK: SEILHAMER, MALACHI APVD: SEILHAMER, MALACHI	12JUN2014 12JUN2014 12JUN2014	TE Connectivity	
DIMENSIONS: mm		ECONOMY POWER (EP) CONN HEADER ASSY 3.96MM PITCH 10 POS SPECIAL	
TOLERANCES UNLESS OTHERWISE SPECIFIED: 0 PLC ± 0.5 1 PLC ± 0.5 2 PLC ± 0.30 3 PLC ± 4 PLC ± ANGLES ±		NAME: SEILHAMER, MALACHI	
MATERIAL: -		PRODUCT SPEC: 108-5609	
FINISH: -		APPLICATION SPEC: -	
WEIGHT: 0.000000		SIZE: A2	CAGE CODE: MS
CUSTOMER DRAWING		DRAWING NO: C=1612911	
SCALE: -		RESTRICTED TO: -	
SHEET: 1 of 1		REV: D1	