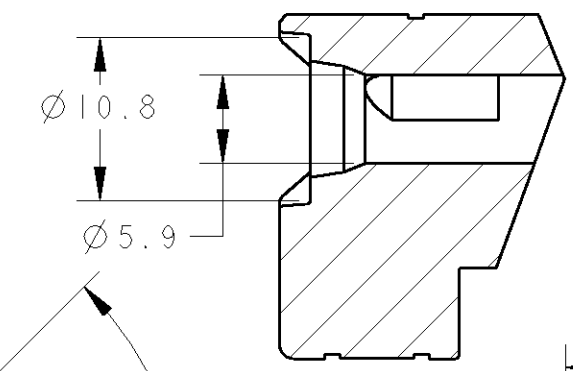


THIS DRAWING IS UNPUBLISHED. RELEASED FOR PUBLICATION 20
 © COPYRIGHT 20 BY TYCO ELECTRONICS CORPORATION. ALL RIGHTS RESERVED.

LOC	DIST	REVISIONS						
		P	LTR	DESCRIPTION	ECN	DATE	DWN	APVD
J	-	0		RELEASED	FJ00-0082-03	14JAN03	T.K	I.E
		01		REVISED PER	ECO-10-000445	22JAN10	KK	HMR
		-		-		-	-	-
		-		-		-	-	-

PART NO.	DIM A°
1612828-1	0
1612828-2	45
1612828-3	90
1612828-4	135
1612828-5	180
1612828-6	225
1612828-7	270
1612828-8	315

4
OBSOLETE



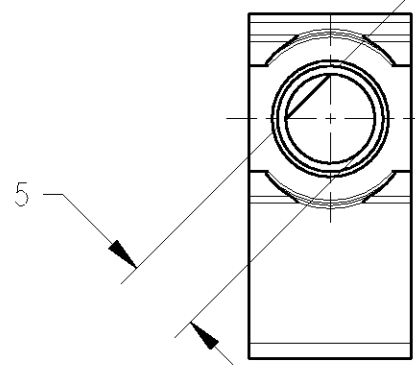
SECTION Y - Y

1 MATERIAL:
ZINC ALLOY DIE CASTING

2 FINISH:
NICKEL OVER CU PLATING

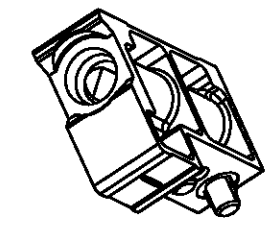
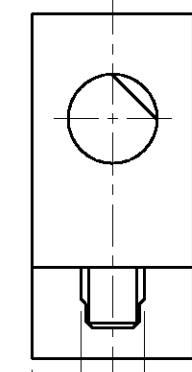
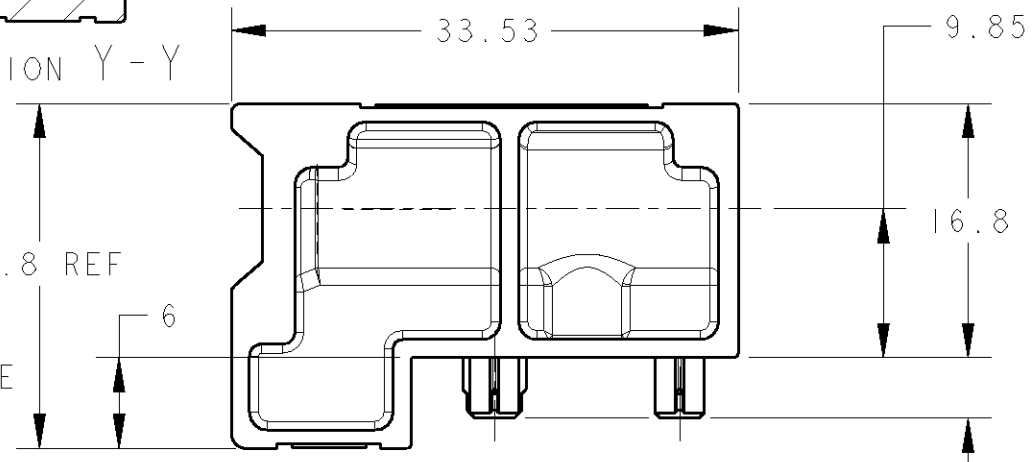
3 DASH NUMBER INDICATES KEY ORIENTATION
(P/N: 1612828 - 2 SHOWN ON DRAWING)

4 OBSOLETE PARTS: OBSOLETE CIS
STREAMLINING PER D.RENAUD/D.SINISI



"A"
MEASURED
COUNTERCLOCKWISE

22.8 REF



Ø4±0.05
2 PLC
Y Z

Ø4±0.05
-Z-

6.125

12.25

5

-Y-

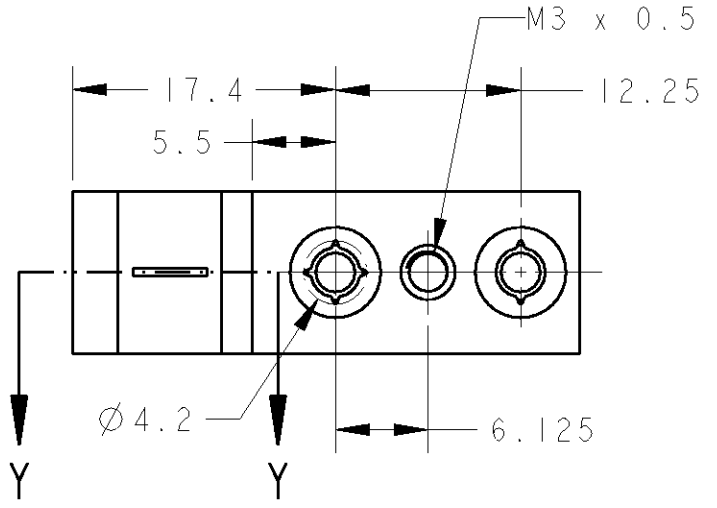
PIN A1 OF
ADJACENT SIGNAL
CONNECTOR

LAST PIN ROW OF
ADJACENT SIGNAL
CONNECTOR

TOP OF
MOTHERBOARD

PCB LAYOUT
CONNECTOR SIDE
SCALE 2:1

EDGE OF DAUGHTER CARD



THIS DRAWING IS A CONTROLLED DOCUMENT FOR TYCO ELECTRONICS CORPORATION
IT IS SUBJECT TO CHANGE AND THE CONTROLLING ENGINEERING ORGANIZATION
SHOULD BE CONTACTED FOR THE LATEST REVISION.

DIMENSIONS: 単位: 英 mm	TOLERANCES UNLESS OTHERWISE SPECIFIED: 一般公差 ±0.2 0-PLC ± 1-PLC ±0.5 2-PLC ±0.13 3-PLC ±0.013 4-PLC ±0.001 ANGLES ±
MATERIAL 材料	FINISH 仕上

DWN T. KIMURA 02JUL2002	CHK K. IKEGAMI 02JUL2002
APVD K. KODAIRA 02JUL2002	PRODUCT SPEC 製品規格
APPLICATION SPEC 取付適用規格	
WEIGHT 20g	CUSTOMER DRAWING

tyco Electronics		Tyco Electronics AMP K.K. Kawasaki, Japan	
NAME 名称 GUIDE MODULE MULTI GIG RT2J			
SIZE A3	CAGE CODE 00779	DRAWING NO 番号 C-1612828	RESTRICTED TO
SCALE 尺度 2:1		SHEET OF	REV O1