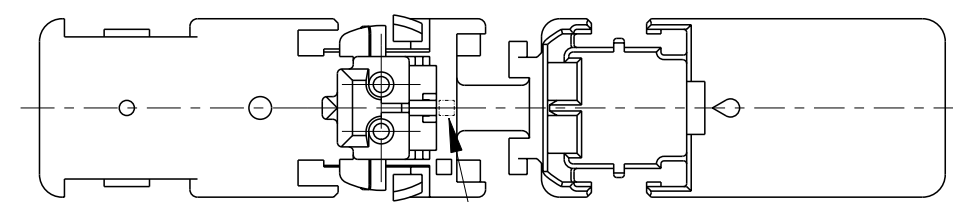
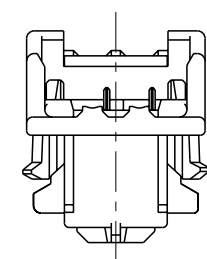
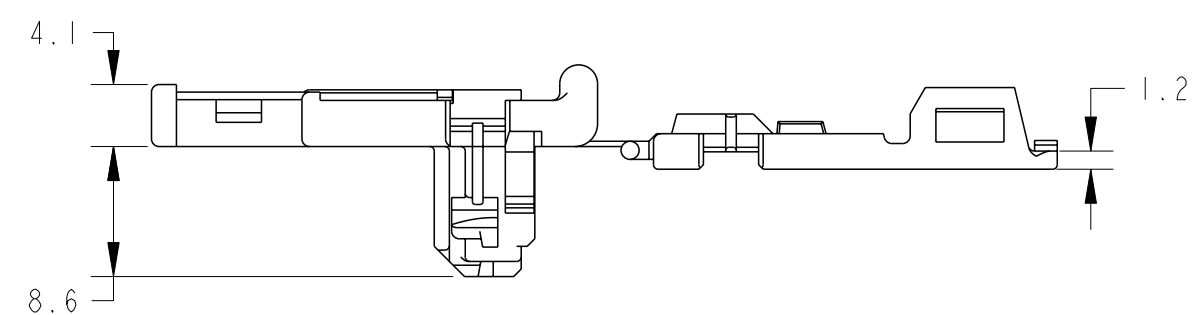
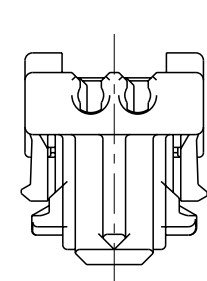
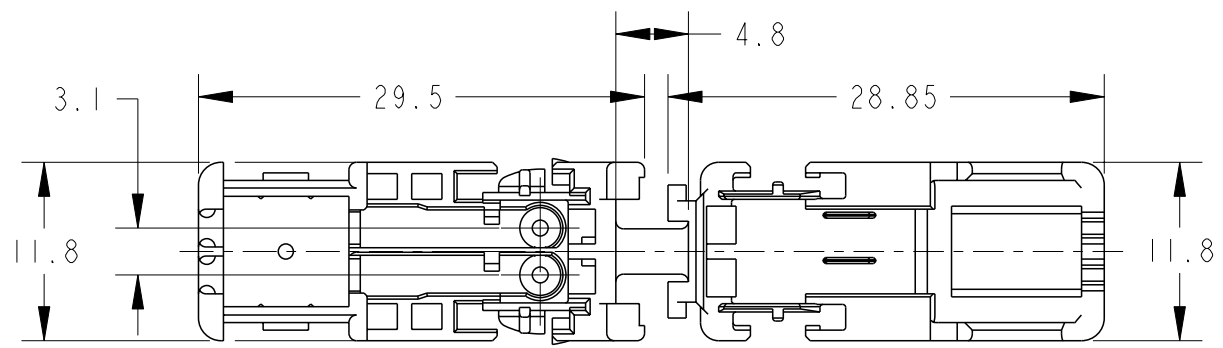
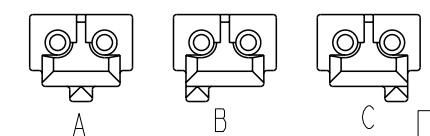


THIS DRAWING IS UNPUBLISHED. RELEASED FOR PUBLICATION 20
 © COPYRIGHT 20 BY TYCO ELECTRONICS CORPORATION. ALL RIGHTS RESERVED.

| LOC | DIST | REVISIONS 変更 | | | | | | |
|-----|------|-----------------|-----|-------------|---------------|-----------|-----|------|
| | | P | LTR | DESCRIPTION | ECN | DATE | DWN | APVD |
| J | - | | O | RELEASED | FJ00-0784-02 | 15APR02 | ES | NS |
| | | | A | REVISED | FJA0-0420-04 | 05JUL04 | A.O | H.Y |
| | | | B | REVISED | ECR-10-007856 | 13APR10 | TS | KB |
| | | | BI | REVISED | ECR-23-188923 | 12SEP2023 | CJ | RK |



1. APPLICABLE TERMINAL P/N: 353376 (WIRE RANGE: AVSS, CAVS 0.3~0.5mm²)
APPLICABLE FERRITE P/N: 353379
 2. THIS PRODUCT SHOULD BE USED WITH THE IIDIA SQUIB CONNECTOR SLIM TYPE LOCKING BUTTON (P/N: 1612119).
 3. MATING SHORT-CIRCUIT RING PART NUMBER: 699638, 1376766, 1473369
 4. ABOUT THE FORM OF INTERFACE, SEE THE DRAWING OF SHORT-CIRCUIT RING.
 5. INSTRUCTION SHEET: 411-78040.
1. 適用端子P/N: 353376 (AVSS, CAVS 0.3~0.5mm²)
適用フェライトP/N: 353379
 2. 本製品は、IIDIA SQUIB CONNECTOR SLIM TYPE LOCKING BUTTON (P/N: 1612119) を装着して使用する。
 3. 本製品が適応するショートサーキットリング品番は、699638, 1376766, 1473369
 4. 嵌合相手形状は、ショートサーキットリング図面を参照のこと。
 5. 取扱説明書: 411-78040



RIB POSITION

| | | | |
|--|--------------|--------|-------------|
| | C | ORANGE | 1612120-3 |
| | B | YELLOW | 1612120-2 |
| | A | YELLOW | 1612120-1 |
| | RIB POSITION | COLOR | PART NUMBER |

OBSOLETE

| | | | | | | | |
|--|-----|--------------|-----------|-----------|---|--|----|
| THIS DRAWING IS A CONTROLLED DOCUMENT FOR TYCO ELECTRONICS CORPORATION IT IS SUBJECT TO CHANGE AND THE CONTROLLING ENGINEERING ORGANIZATION SHOULD BE CONTACTED FOR THE LATEST REVISION. | | DWN | E. SASAKI | 15APR02 | Tyco Electronics Corporation Kawasaki, Japan | NAME 名称 IIDIA SQUIB CONNECTOR SLIM TYPE MK-11 PLUG HOUSING | |
| DIMENSIONS: 単位: 耗 mm | | CHK | T. KOHNO | 15APR02 | | | |
| | | APVD | N. SAI | 15APR02 | | | |
| TOLERANCES UNLESS OTHERWISE SPECIFIED: ±0.2 0-PLC ± 1-PLC ±0.1 2-PLC ±0.15 3-PLC ±0.150 4-PLC ±0.1500 ANGLES ±1'00' | | PRODUCT SPEC | 108-5818 | | | | |
| MATERIAL | PBT | FINISH | 仕上 | SEE TABLE | WEIGHT | 1.6 g | |
| CUSTOMER DRAWING | | SCALE | 2:1 | SHEET | 1 OF 1 | REV | BI |

Printed on 6 Oct 2023 15:28 (India Standard Time) from TE501918