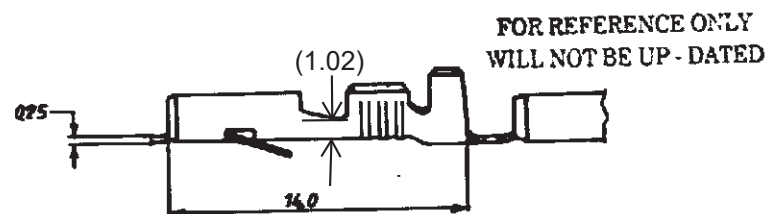
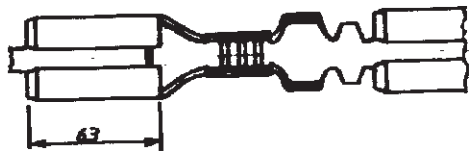
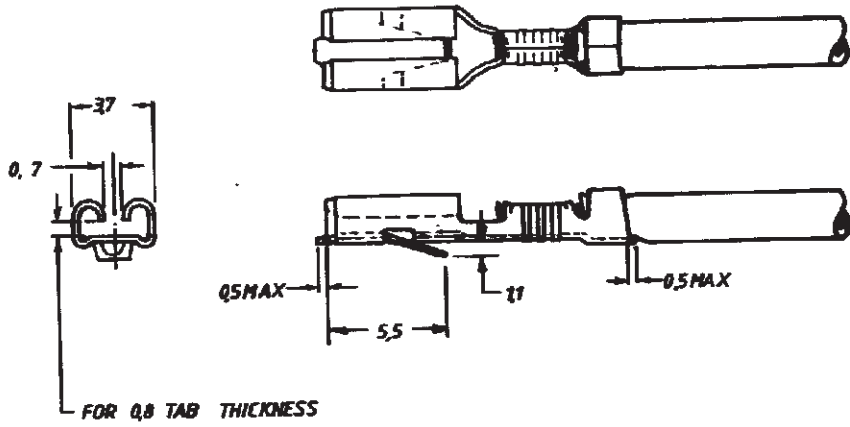


C-160922

BASED ON THE AMERICAN PROJECTION

REVISIONS

LTR	DESCRIPTION	DATE	DWN	APVD
S	REVISED PER ECR-21-100765	4MAR2021	PC	DH



- NOTES
- 1 REELED WITH PAPER COVER.
 - 2 FOR USE ON MINATURE APPLICATORS (L - R FEED) AND STANDARD APPLICATORS (R - L FEED)
 - 3 OBSOLETE PARTS: OBSOLETE CIS STREAMLINING PER D.RENAUD/D.SINISI

CUSTOMER COPY FOR REFERENCE ONLY



TE Connectivity

16 0922-4	PH.BRONZE	TINPLATED
16 0922-3	PH.BRONZE	UNPLATED
16 0922-2	BRASS	TINPLATED
16 0922-1	BRASS	UNPLATED

WIRE RANGE	WIRE RANGE	FASTENING
0.2-0.5	10-16 for FLX	
	H	A

ORDER NO: KK DATE: 29/09/09 MATERIAL: PH.BRONZE PLATING: UNPLATED PART NO: C-160922 REV: S

110 SRS FAST-IN-ON RECEPTACLE

ALL DIMENSIONS IN (MM) UNLESS OTHERWISE SPECIFIED