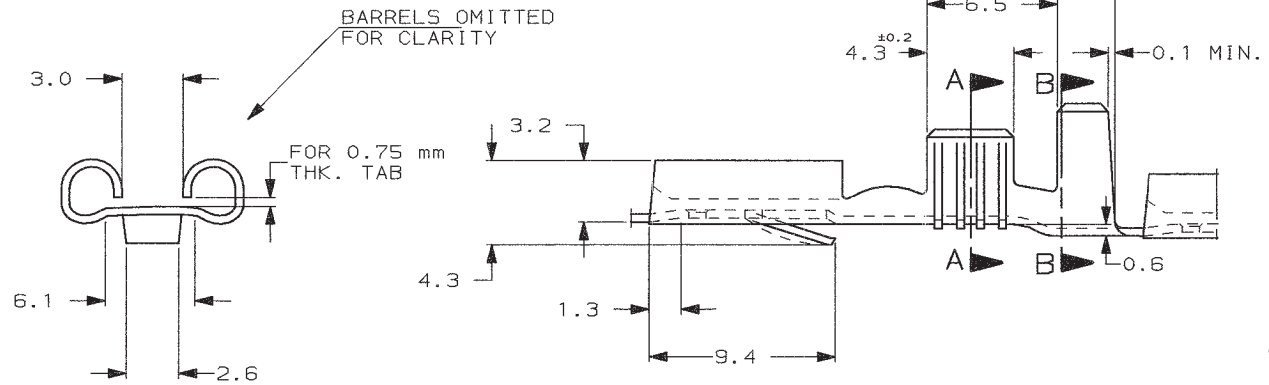


SCALA NON IMPEGNATIVA
(DO NOT SCALE)
DIMENSIONI IN
(DIMENSIONS IN) mm

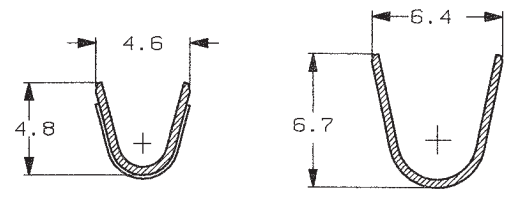
METRIC

PROIEZIONE EUROPEA
(EUROPEAN PROJECTION)

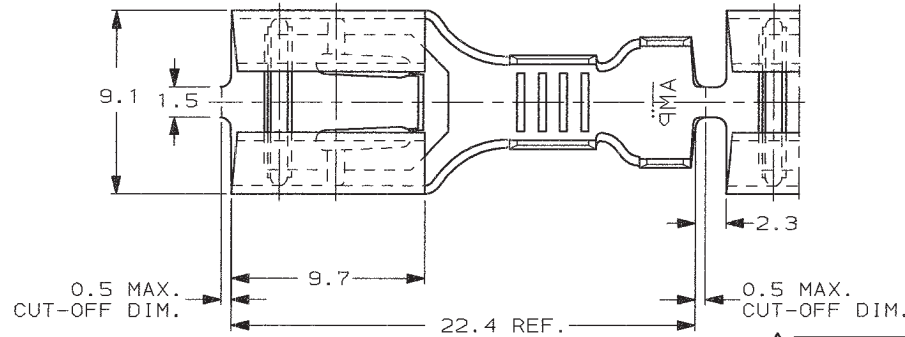


SEZIONE A-A
(SECTION A-A)

SEZIONE B-B
(SECTION B-B)

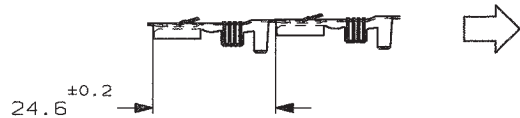


- 1 OBSOLETE PARTS: OBSOLETE CIS STREAMLINING PER D.RENAUD/D.SINISI
- 2 OBSOLETE PARTS



1 OBSOLETE
2 OBSOLETE
3 OBSOLETE

STATO DI FORNITURA - SCALA 1:1
(SUPPLY CONDITION - SCALE 1:1)



SENDO DI USCITA
DEL TERMINALE
DALLA BOBINA
(DIRECTION OFF
TOP OF REEL)

| | | | |
|-------------------------------------|------------------------------|-----------------------|------|
| STAGNATO (TIN PLATED) | PHOS. BRONZE (BR. FOSFOROSO) | 0-160920-4 | - |
| - | PHOS. BRONZE (BR. FOSFOROSO) | 0-160920-3 | - |
| STAGNATO (TIN PLATED) | OTTONE (BRASS) | 0-160920-2 | - |
| - | OTTONE (BRASS) | 0-160920-1 | - |
| FINITURA / COLORE (FINISH / COLOUR) | MATERIALE (MATERIAL) | NUMERO (AMP P/N) | REV. |

CUSTOMER DWG. FOR REFERENCE ONLY DISEGNO PER CLIENTE SOLO PER RIFERIMENTO

| | | | |
|---|----------------------------------|-----------------------------|---------------|
| THIS DRAWING IS UNPUBLISHED | RELEASE FOR PUBLICATION | 19 | |
| © COPYRIGHT 19 BY AMP INCORPORATED, HARRISBURG, PA. ALL INTERNATIONAL RIGHT RESERVED. AMP PRODUCTS MAY BE COVERED BY U.S. AND FOREIGN PATENT AND/OR PATENT PENDING. | | | |
| TOLLERANZE, SE NON DIVERSAMENTE SPECIFICATO (TOLERANCES, UNLESS OTHERWISE SPECIFIED) | DIAM. ISOLANTE (INS. DIA. RANGE) | RANGO FILO (WIRE RANGE) mm2 | SCALA (SCALE) |
| ± 0.3 | 3.3-4.5 | 2.5-4.0 | 4:1 |



| | | | | | |
|-------------|--------------------------------|----------------|--------------|------------------------------------|--|
| C2 | REVISED PER ECR-19-018072 | SS | 27NOV 2019 | DIS. H. YAALI (DR.) 07 NOV 2001 | DESCRIZIONE (DESCRIPTION) FASTIN-FASTON Connector .312" sr. REC. CONTACT |
| C1 | REVISED PER ECO-09-027197 | /KK | DEC09 | CONT. C. TARTARI (CHK) 07 NOV 2001 | |
| C | REVISED & REDRAWN ET00-0259-01 | | 21 NOV | | LOC. SIZE (DWG NO) |
| REV. (REV.) | REVISIONI (REVISION RECORD) | DIS. DATA (DR) | H. Y. (DATE) | APP. (APP.) | I A3 C-160920 |
| | | | | | REV. C2 |
| | | | | | FOGLIO (SHEET) 1 DI (OF) 1 |

DISTRIBUZIONE (PRINT/DIST.)