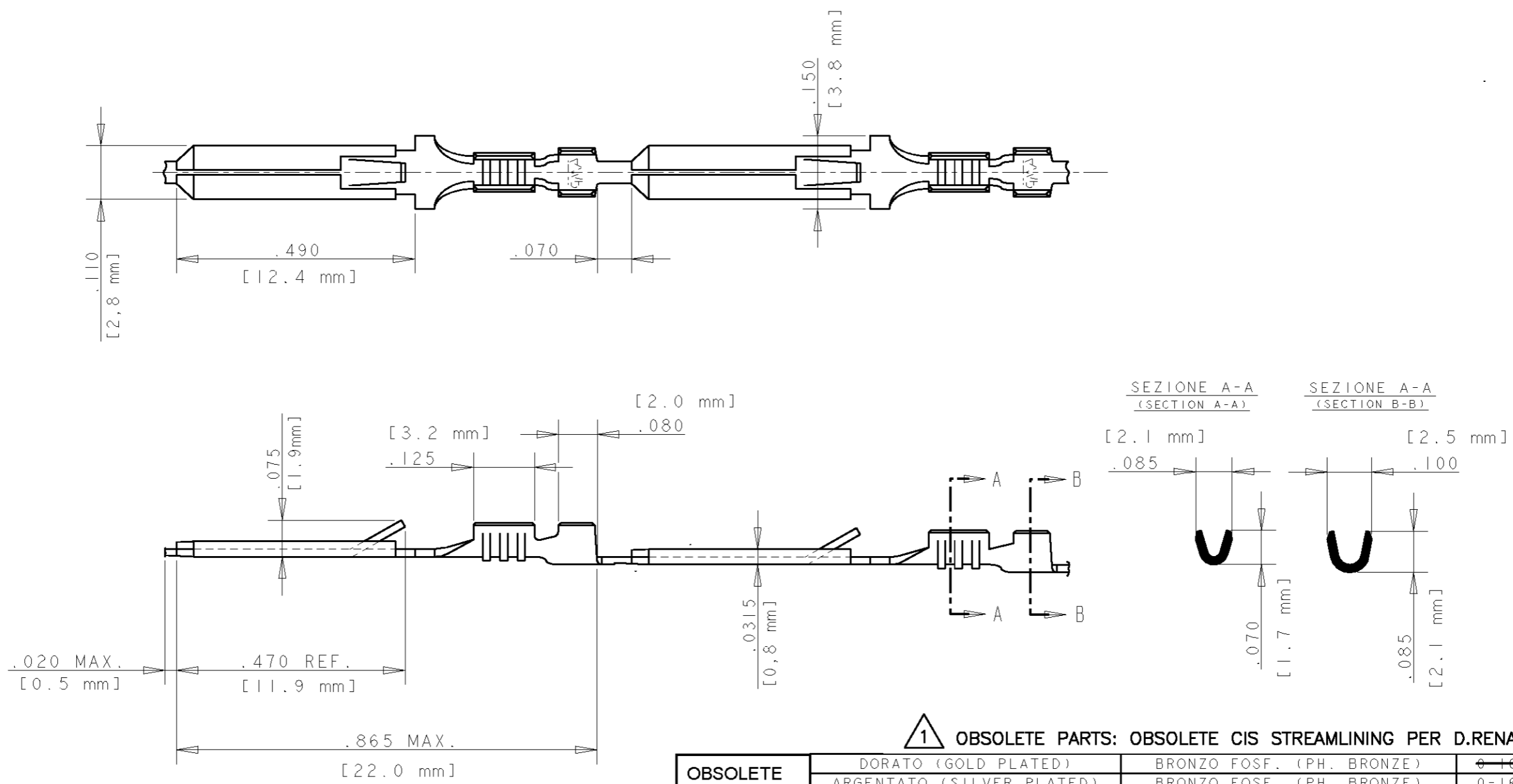


SCALA NON IMPEGNATIVA  
(DO NOT SCALE)  
DIMENSIONI IN mm  
(DIMENSIONS IN mm)

METRIC

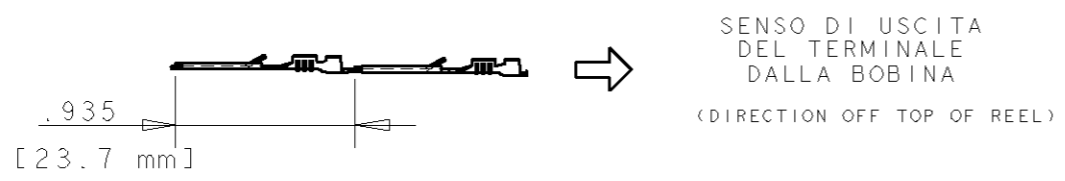
PROIEZIONE EUROPEA  
(EUROPEAN PROJECTION)



**1** OBSOLETE PARTS: OBSOLETE CIS STREAMLINING PER D.RENAUD/D.SINISI

OBSOLETE <b>1</b>	DORATO (GOLD PLATED)			BRONZO FOSF. (PH. BRONZE)	<del>0-160781-6</del>
	ARGENTATO (SILVER PLATED)			BRONZO FOSF. (PH. BRONZE)	<del>0-160781-5</del>
PRE TIN PLATED			BRONZO FOSF. (PH. BRONZE)	<del>0-160781-4</del>	
TIN PLATED			BRONZO FOSF. (PH. BRONZE)	<del>0-160781-3</del>	
TIN PLATED			BRONZO FOSF. (PH. BRONZE)	0-160781-2	
NUDO (UNPLATED)			BRONZO FOSF. (PH. BRONZE)	0-160781-1	
FINITURA / COLORE (FINISH / COLOUR)			MATERIALE (MATERIAL)	NUMERO (PART NUMBER)	
			CUSTOMER DWG. FOR REFERENCE ONLY		
			DISEGNO PER CLIENTE SOLO PER RIFERIMENTO		
			THIS DRAWING IS UNPUBLISHED		
			RELEASE FOR PUBLICATION 19		
			© COPYRIGHT 19 BY AMP INCORPORATED, HARRISBURG, PA. ALL INTERNATIONAL RIGHT RESERVED. AMP PRODUCTS MAY BE COVERED BY U.S. AND FOREIGN PATENT AND/OR PATENT PENDING		
			TOLLERANZE: SE NON DIVERSAMENTE SPECIFICATO (TOLERANCES: UNLESS OTHERWISE SPECIFIED)	DIAM. ISOLANTE (INS. DIA. RANGE) 0.9-1.4	RANGO FILO (WIRE RANGE) 0.12-0.22 mm <sup>2</sup>
			SCALA (SCALE) 4:1		
			± 0.3		
T1	ECO-09-025714	AEG	DEC09	ANGOLI (ANGLES)	
T	ES00-0136-02	JL	90CT02	DIS. H. YAALI (DR.) 27 MAY 99	
S	ES00-0065-01	JC	19JUN01	CONT. C. TARTARI (CHK) 27 MAY 99	
R	ES00-0043-01	JC	15MAY01	APP. - (APP.)	
P	REVISED AND REDRAWN ET00-0157-99	H.Y.	07 JUN 1999	LOC. SIZE NUMERO (DWG NO.)	
REV. (REV. LTR.)	REVISIONI (REVISION RECORD)	DIS. (DR)	DATA (DATE)	ALA3 C-160781 T1	

STATO DI FORNITURA - SCALA 1:1  
(SUPPLY CONDITION - SCALE 1:1)



DISTRIBUZIONE (PRINT DIST.)