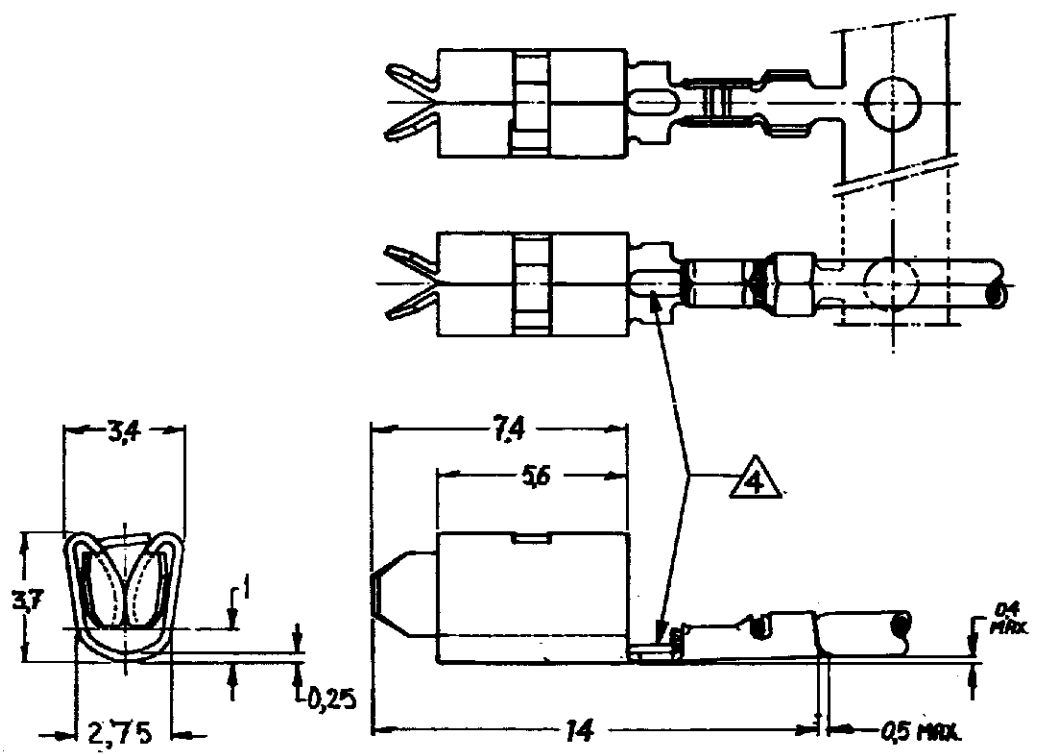


NUMBER C-160760-E  
 SHT. 1 OF 2

DRAWING MADE IN AMERICAN PROJECTION

REVISIONS				
LTR	DESCRIPTION	DATE	DWN	APVD
E2	REVISED PER ECR-19-018140	31DEC2019	MK	TD



NOTE :

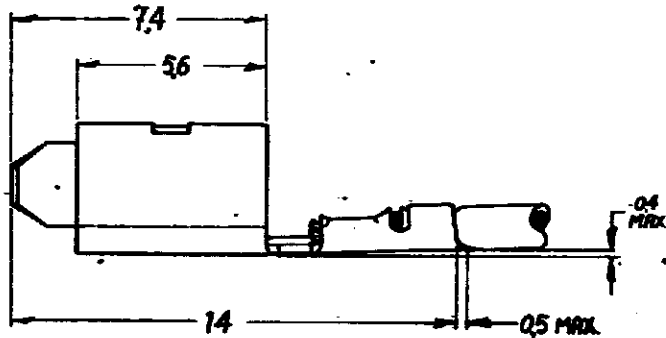
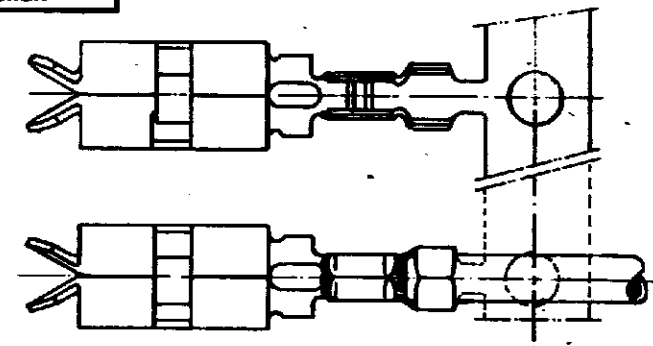
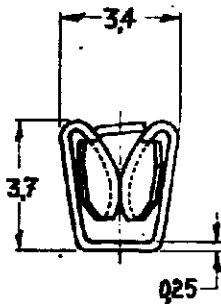
- ① FOR USE ON STANDARD APPLICATORS (RIGHT TO LEFT FEED).
- ② FOR USE ON MINIATURE APPLICATORS (LEFT TO RIGHT FEED).
- ③ FOR USE ON AMPOMATOR MACHINES AND MINIATURE APPLICATORS (LEFT TO RIGHT FEED)
- ④ 160760-5 WITHOUT DIMPLE.
- ⑤ OBSOLETE PARTS: OBSOLETE CIS STREAMLINING PER D.RENAUD/D.SINISI
- ⑥ OBSOLETE PARTS

				CUSTOMER COPY FOR REFERENCE ONLY			
⑤	160760-5	PH. BRONZE	PRE-TIN	©1976 BY AMP-HOLLAND N.V. ALL RIGHTS RESERVED A-AMP PRODUCTS COVERED BY PATENTS AND/OR PATENTS PENDING.			 <small>TE Connectivity</small>
	160760-4	PHOS. BRONZE	PRE-TIN	WIRE RANGE	INSUL. RANGE	FIRST USED	
	160760-3	PHOS. BRONZE	PRE-TIN	005-015 mm <sup>2</sup>	08-13 DIA.		
⑥	160760-2	BRASS	PRE-TIN				
	160760-1	BRASS	PRE-TIN				
	ORDER NO.	MATERIAL	PLATING	SCALE	LOC	SIZE	NO
				6:1	H	A	C-160760-E
	DATE	DE	DATE	NAME		SHT. 1	REV
	18.6.15	KK	25/09/09			OF 2.	E2
	DATE	APP	DATE				
	21.6.75		21.6.75				

.110 TAB RECEPTACLE

NUMBER C-160760-E  
SHT. 2 OF 2

DRAWING MADE IN AMERICAN PROJECTION



NOTE :

- 1. FOR USE ON STANDARD APPLICATORS (RIGHT TO LEFT FEED).
- 2. FOR USE ON MINIATURE APPLICATORS (LEFT TO RIGHT FEED).
- 3. OBSOLETE PARTS: OBSOLETE CIS STREAMLINING PER D.RENAUD/D.SINISI

DIMENSIONS IN MM DO NOT SCALE PRINT

**CUSTOMER COPY FOR REFERENCE ONLY**

©1978 BY AMP-HOLLAND N.V. ALL RIGHTS RESERVED A.M.P. PRODUCTS COVERED BY PATENTS AND/OR PATENTS PENDING.



1-160760-3	PHOS.BRONZE	PRE-TIN
1-160760-2	BRASS	PRE-TIN
1-160760-1	BRASS	PRE-TIN

WIRE RANGE	INSUL. RANGE	FIRST USED
005-075 mm <sup>2</sup>	08-13 DIA.	

ORDER NO.	MATERIAL	PLATING
-----------	----------	---------

SCALE	LOC	SIZE	NO	SHT. 2	REV
6:1	H	A	C-160760-E	OF 2.	E2

DR	DATE	DE	DATE
C.A. STERKEN	18.4.1978		
APP	DATE	DATE	
	19.4.78	20.4.78	

NAME .110 TAB RECEPTACLE