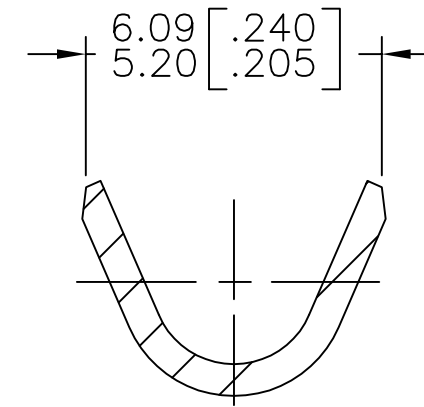
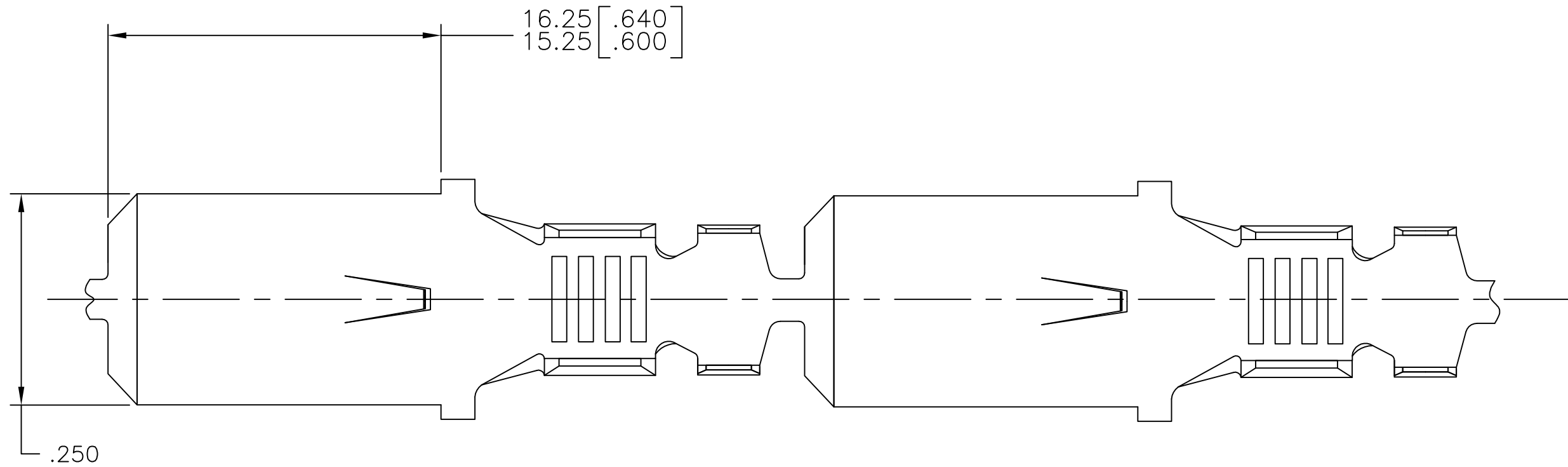


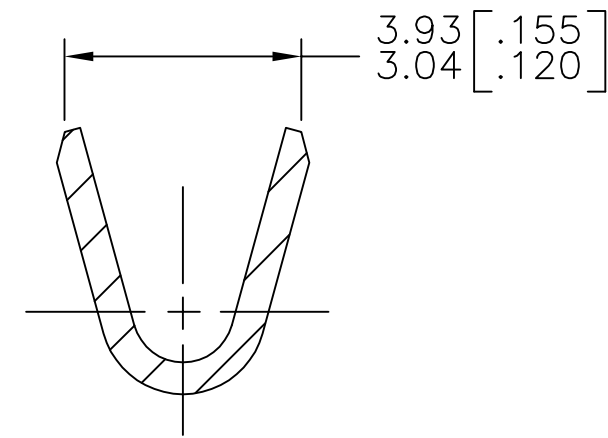
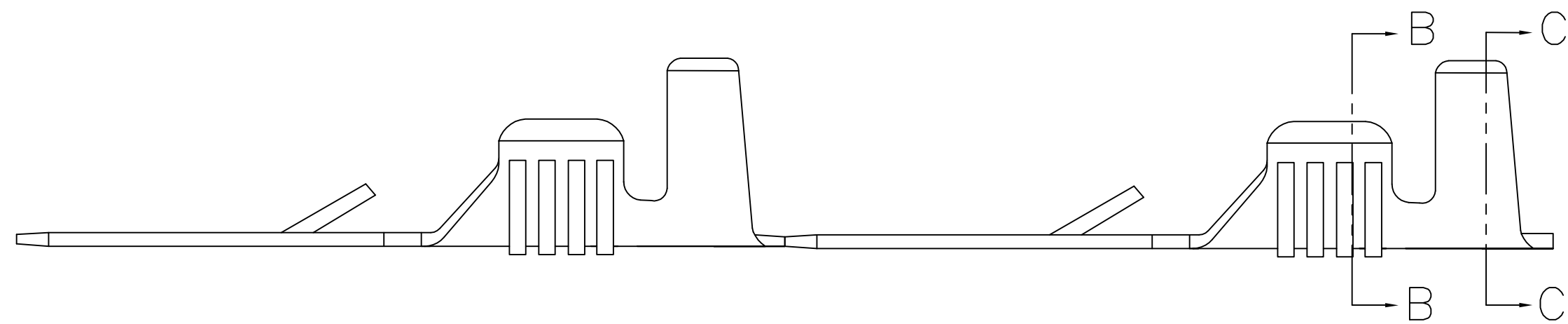
THIS DRAWING IS UNPUBLISHED. RELEASED FOR PUBLICATION
 © COPYRIGHT - By - ALL RIGHTS RESERVED.

REVISIONS				
P	LTR	DESCRIPTION	DATE	APVD
A1		REVISED PER ECR-17-012869	23SEP2017	BDA TD

1 OBSOLETE PARTS: OBSOLETE CIS STREAMLINING PER D.RENAUD/D.SINISI.



SECTION C-C



SECTION B-B

OBSOLETE

1	160453-3	PHOS. BRONZE SILVER PLATING	160452-3
	160453-2	PHOS. BRONZE TIN PLATING	160452-2
	160453-1	PHOS. BRONZE	160452-1
	LP NUMBER	MATERIAL	PART NO

THIS DRAWING IS A CONTROLLED DOCUMENT.		DWN RAVI S 30NOV2016	TE Connectivity	
DIMENSIONS: mm [INCHES]		CHK LI DAISY 30NOV2016		
TOLERANCES UNLESS OTHERWISE SPECIFIED:		APVD DING TIM 30NOV2016	NAME	
0 PLC ± -		PRODUCT SPEC	FASTIN-FASTON TAB	
1 PLC ± -		APPLICATION SPEC	SIZE	CAGE CODE
2 PLC ± 0.40[.015]		WEIGHT	A2	00779
3 PLC ± 0.40[.015]		CUSTOMER DRAWING	DRAWING NO	RESTRICTED TO
4 PLC ± -		SCALE	C=160452	-
ANGLES ± -		SCALE 4:1	SHEET 1 of 1	REV A1
FINISH -				

INS. RANGE: 3.04-3.68
[.120-.145]

WIRE RANGE: 18-14