

4

3



2

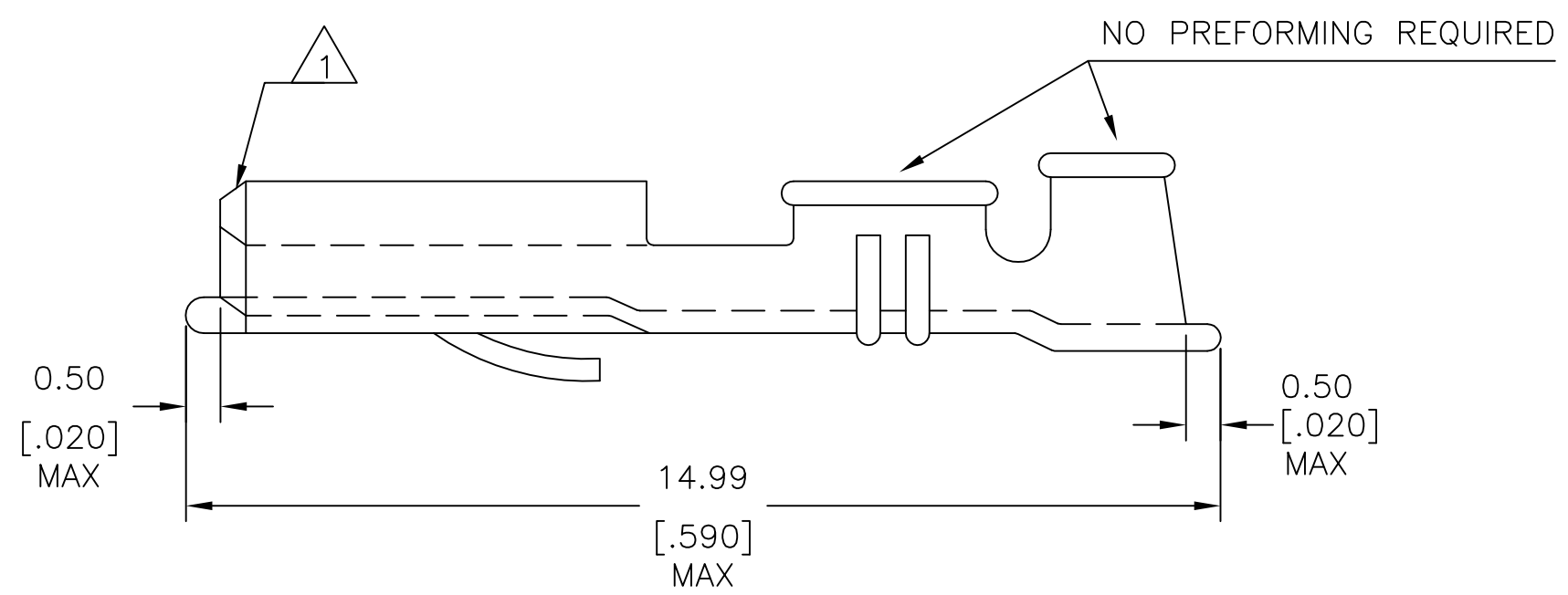
1

THIS DRAWING IS UNPUBLISHED. RELEASED FOR PUBLICATION
 © COPYRIGHT - By - ALL RIGHTS RESERVED.


REVISIONS					
P	LTR	DESCRIPTION	DATE	DWN	APVD
	A1	REVISED PER ECR-17-012869	23SEP2017	BDA	TD


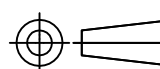
LOOSE PIECE TERMINALS MUST MEET ALL APPLICABLE STRIP SPECIFICATION IN ADDITION TO THE FOLLOWING.

-  CHAMFER.
-  OBSOLETE PER CIS STREAMLINING PER D.RENAUD/D.SINISI.



OBSOLETE

160409-3	160414-3
160409-2	160414-2
160409-1	 160414-1
STRIP NUMBER	PART NUMBER

THIS DRAWING IS A CONTROLLED DOCUMENT.		DWN	11NOV2014	 TE Connectivity .110 SERIES FASTON RECEPTACLE		
DIMENSIONS: mm [INCHES]		CHK	11NOV2014			
		APVD	11NOV2014			
TOLERANCES UNLESS OTHERWISE SPECIFIED: REMOVE ALL BURR AND BREAK ALL SHARP EDGES 0.38[.015]R MAX 0 PLC ± - 1 PLC ± - 2 PLC ± - 3 PLC ± - 4 PLC ± - ANGLES ± 0°30'		PRODUCT SPEC				
MATERIAL	FINISH	APVD	11NOV2014	NAME		
-	-	APPLICATION SPEC		SIZE	CAGE CODE	DRAWING NO
		WEIGHT		A3	00779	C=160414
CUSTOMER DRAWING				RESTRICTED TO	-	
				SCALE	1:1	SHEET 1 OF 1
				REV	A1	