

4

3

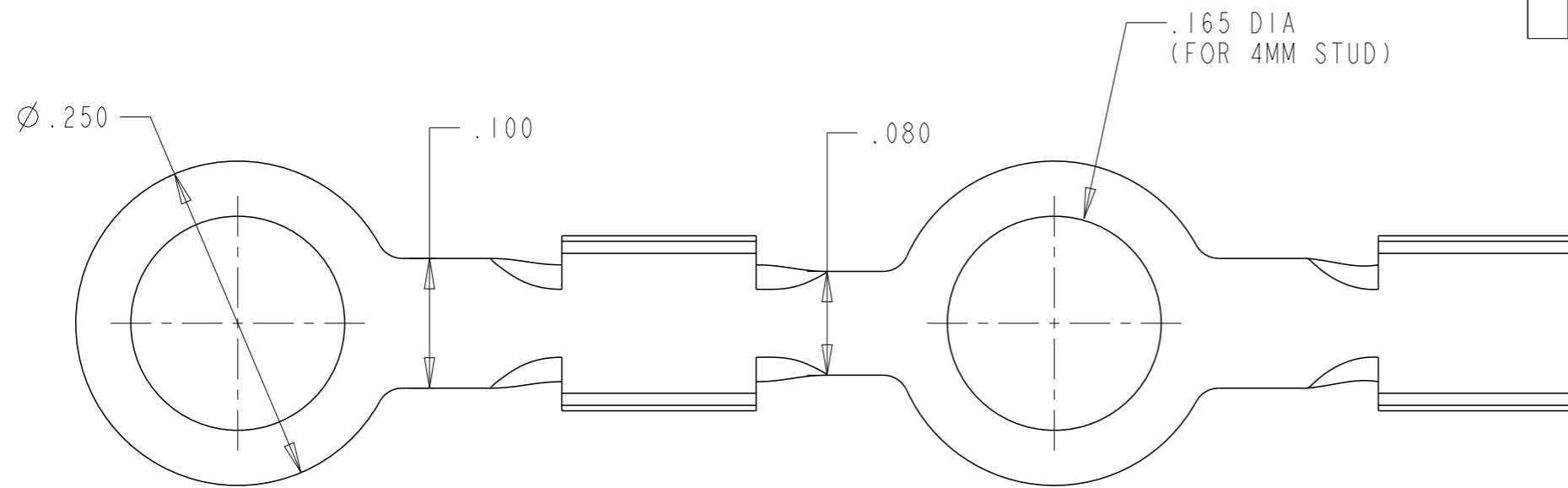
2

1

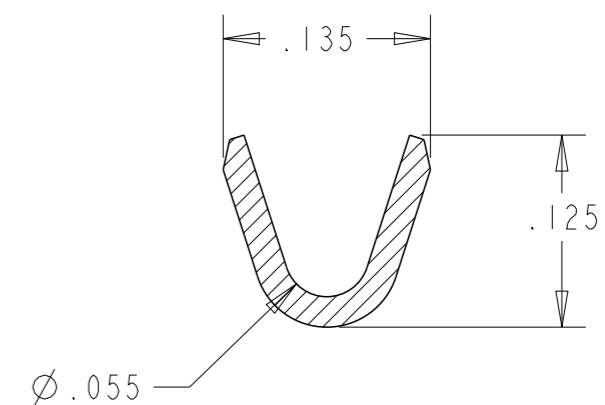
© 20 BY -

REVISIONS

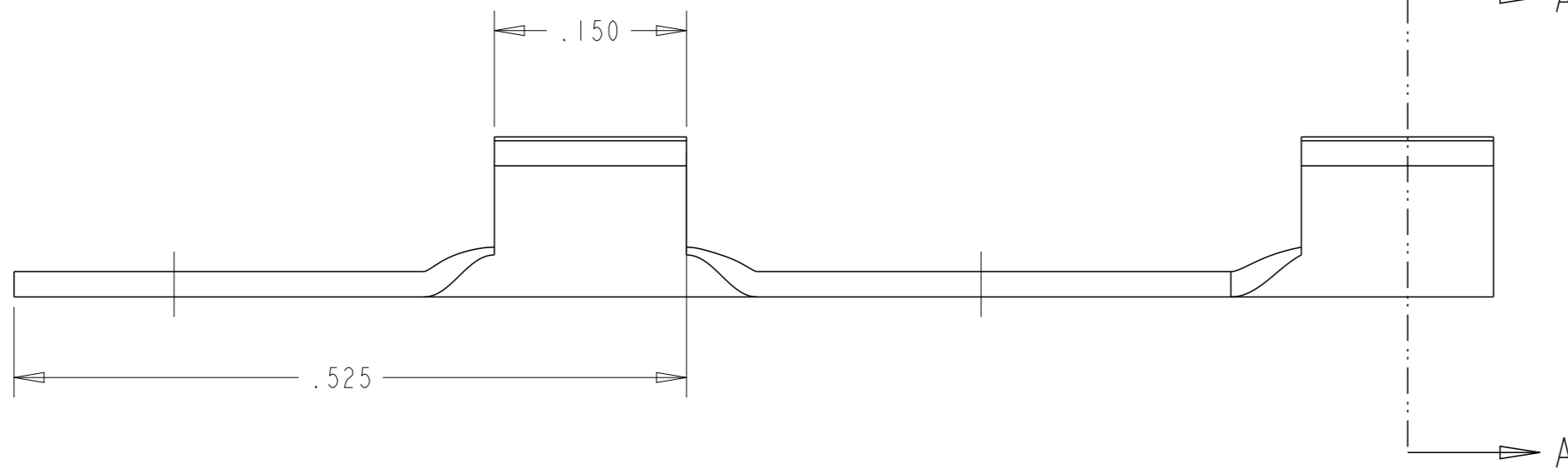
P	LTR	DESCRIPTION	DATE	DWN	APVD
	I	NEW DRAWING CREATION	23DEC2022	GK	RE
	F	REVISED PER ECN-22-191576	23DEC2022	GK	RE
	FI	REVISED PER ECR-22-162195	27DEC2022	GK	RE




NOTE:
 1. SPLICE FREE
 2. WIRE RANGE 22-16



SECTION
A-A
SCALE 8:1



1	BRASS	160209-3
	BRASS	160209-1
	MATERIAL	PART NO

THIS DRAWING IS A CONTROLLED DOCUMENT.		DWN GAYATRI K 27DEC22	 TE Connectivity	
DIMENSIONS: INCH		CHK SADANAND 27DEC22		
TOLERANCES UNLESS OTHERWISE SPECIFIED:		APVD RAGHAVENDRA 27DEC22	NAME RING TONGUE TERMINAL	
0 PLC ±- 1 PLC ±- 2 PLC ±- 3 PLC ±0.10 4 PLC ±- ANGLES ±-		PRODUCT SPEC 108-160504	RESTRICTED TO	
MATERIAL SEE TABLE		FINISH -	APPLICATION SPEC 114-160278	SIZE A3
		WEIGHT -	CAGE CODE 00779	DRAWING NO 160209
		CUSTOMER DRAWING	SCALE 8:1	SHEET 1 OF 1
				REV FI