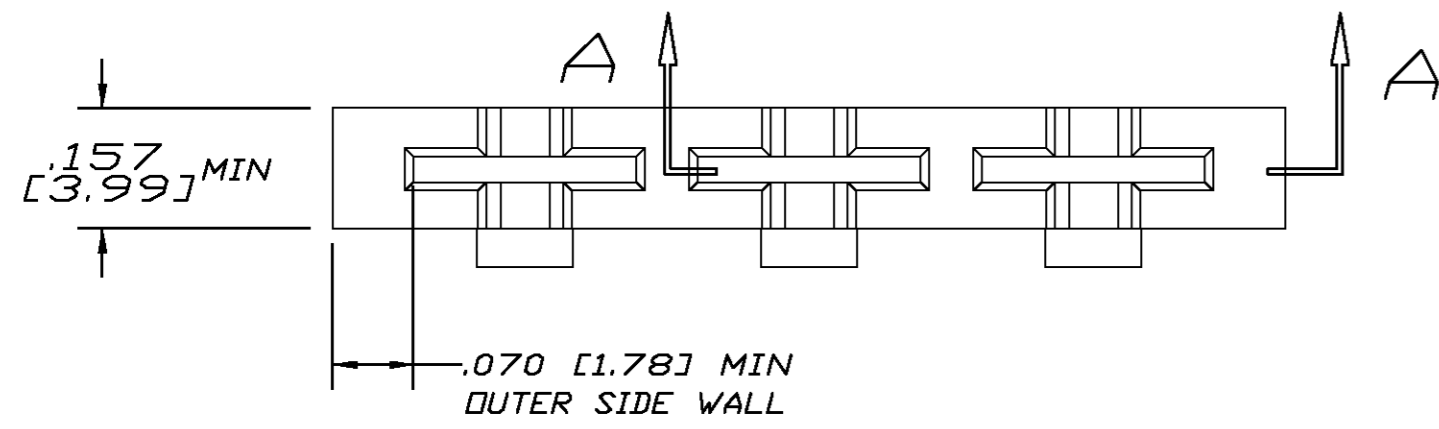
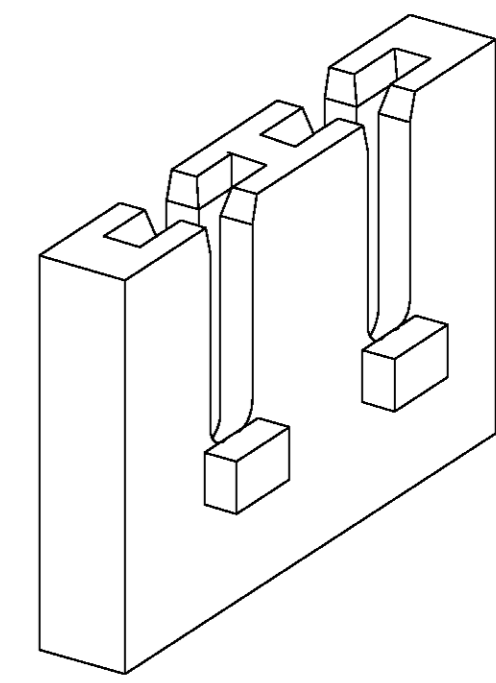
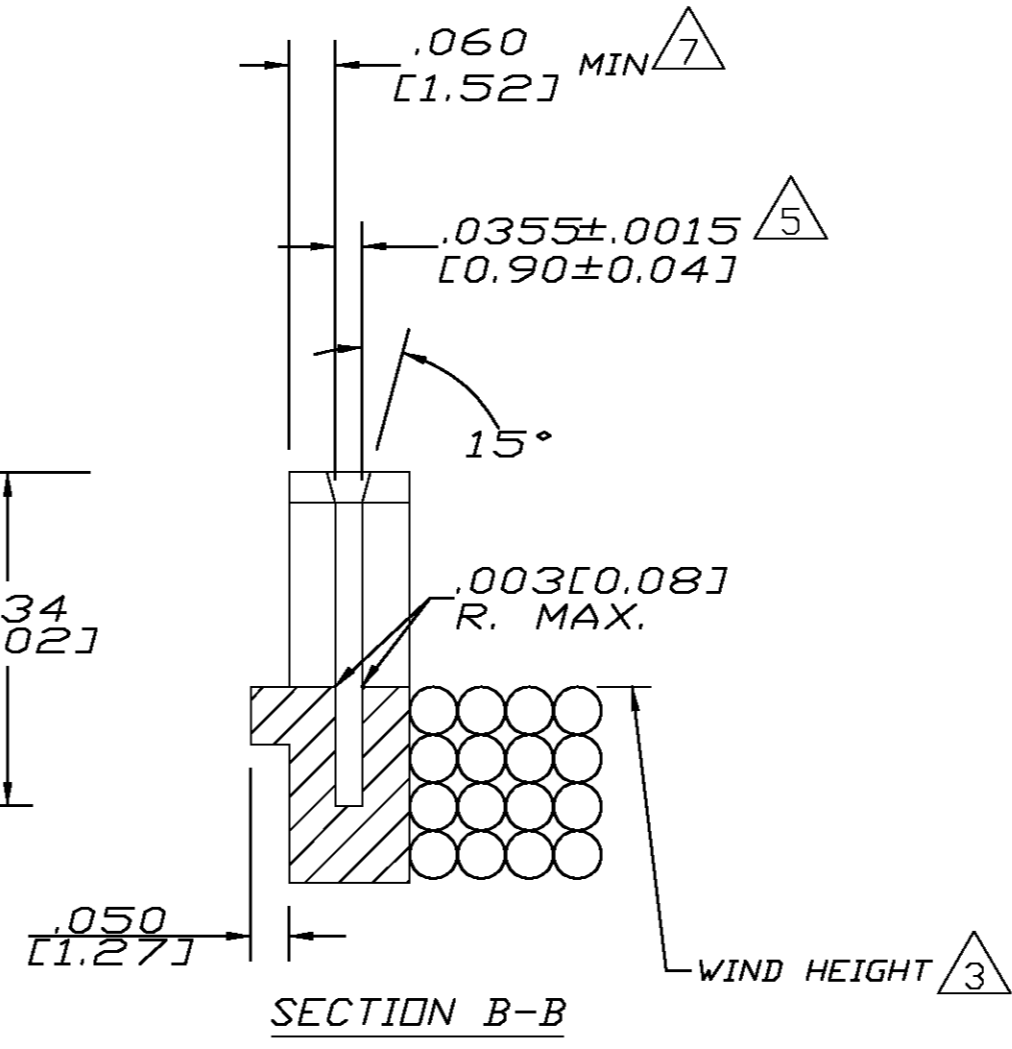
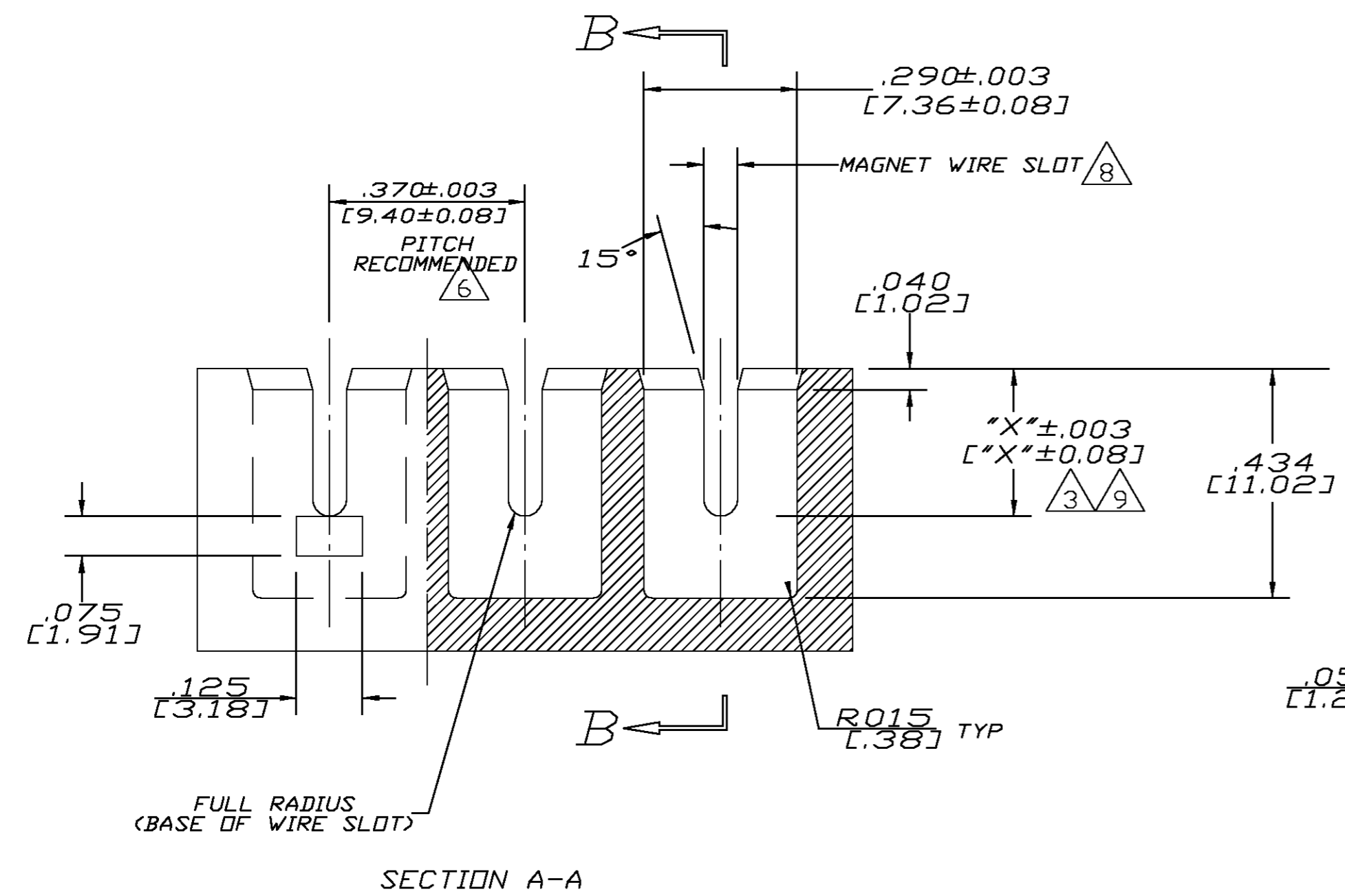


THIS DRAWING IS UNPUBLISHED. RELEASED FOR PUBLICATION  
 © COPYRIGHT BY TYCO ELECTRONICS CORPORATION. ALL RIGHTS RESERVED.

LOC		DIST		REVISIONS			
P	LTR	DESCRIPTION		DATE	DWN	APVD	
AF	50	A		REVISED PER 0G3H-0020-03	28OCT03	MF	GJ



1. DIMENSIONS SPECIFIED MAY VARY PER CUSTOMER APPLICATION, DO NOT TOOL WITHOUT TYCO ELECTRONICS REVIEW AND APPROVAL.
2. TYCO ELECTRONICS REQUIRES THE FOLLOWING INFORMATION IN ORDER TO APPROVE THE CUSTOMERS APPLICATION DRAWING: MAGNET WIRE RANGE.
3. MAGNET WIRE COIL MUST NOT EXCEED HEIGHT OF MAGNET WIRE SLOT AS SHOWN UNLESS PROVISIONS ARE MADE TO KEEP "FINISH" WIRE FLAT AGAINST BASE OF WIRE SLOT.
4. MATERIAL RECOMMENDED: NYLON 6/6 AND NYLON 6/6 30% GLASS FILLED OTHER MATERIALS ARE ACCEPTABLE HOWEVER, CONSULT TYCO ELECTRONICS FOR SPECIFICATIONS.
5. MUST MAINTAIN SLOT THICKNESS  $<.0355$  [0.90] INCLUDING DRAFT ANGLE FROM BOTTOM OF POCKET TO  $.015$  [0.38] MINIMUM ABOVE BASE OF WIRE SLOT.  $<.040$  [1.02] MAX. THICKNESS AT TOP.
6. RECOMMEND THAT POCKET PITCH MATCH TERMINAL PITCH, BUT WITH TOLERANCE SHOWN.
7.  $.070$  [1.78] MIN. WALL THICKNESS RECOMMENDED ON TRIM POST SIDE WHEN WIRE TRIMMING IS REQUIRED.
8. SIZE THIS SLOT FOR LARGEST WIRE DIAMETER.
9. REFER TO CHART, CONSULT TYCO ELECTRONICS IF WIRE SIZE TO BE USED OVERLAP THE RANGES SHOWN.



#19-#23 [0.91-0.57]	.232 [5.89]
#15.5-#18 [1.37-0.97]	.249 [6.32]
#12-#15 [2.06-1.45]	.270 [6.86]
MAGNET WIRE SIZE AWG [mm] DIA	SLOT DEPTH "X" ±.003 [±0.08]

THIS DRAWING IS A CONTROLLED DOCUMENT.

DIMENSIONS: INCHES	TOLERANCES UNLESS OTHERWISE SPECIFIED:	DWN: 27MAR2002 MICHAEL S. FEHER	CHK: 27MAR2002 GENE JACONO	APVD: 27MAR2002 KURT A. RANDOLPH	NAME: MEDIUM RANGE TAB SIAMEZE POCKET SPECIFICATION																
<table border="1"> <tr><td>0 PLC</td><td>± -</td></tr> <tr><td>1 PLC</td><td>± -</td></tr> <tr><td>2 PLC</td><td>± .01 [0.25]</td></tr> <tr><td>3 PLC</td><td>± .005 [0.13]</td></tr> <tr><td>4 PLC</td><td>± -</td></tr> <tr><td>ANGLES</td><td>± 2</td></tr> <tr><td>FINISH</td><td>-</td></tr> </table>		0 PLC	± -	1 PLC	± -	2 PLC	± .01 [0.25]	3 PLC	± .005 [0.13]	4 PLC	± -	ANGLES	± 2	FINISH	-	APPLICATION SPEC: 408-8629	WEIGHT: -	SIZE: A2	CAGE CODE: 00779	DRAWING NO: C=1601438	RESTRICTED TO: -
0 PLC	± -																				
1 PLC	± -																				
2 PLC	± .01 [0.25]																				
3 PLC	± .005 [0.13]																				
4 PLC	± -																				
ANGLES	± 2																				
FINISH	-																				
MATERIAL: -		CUSTOMER DRAWING		SCALE: 1:1	SHEET: 1 OF 1	REV: A															

tyco Electronics Tyco Electronics Corporation Harrisburg, PA 17105-3608