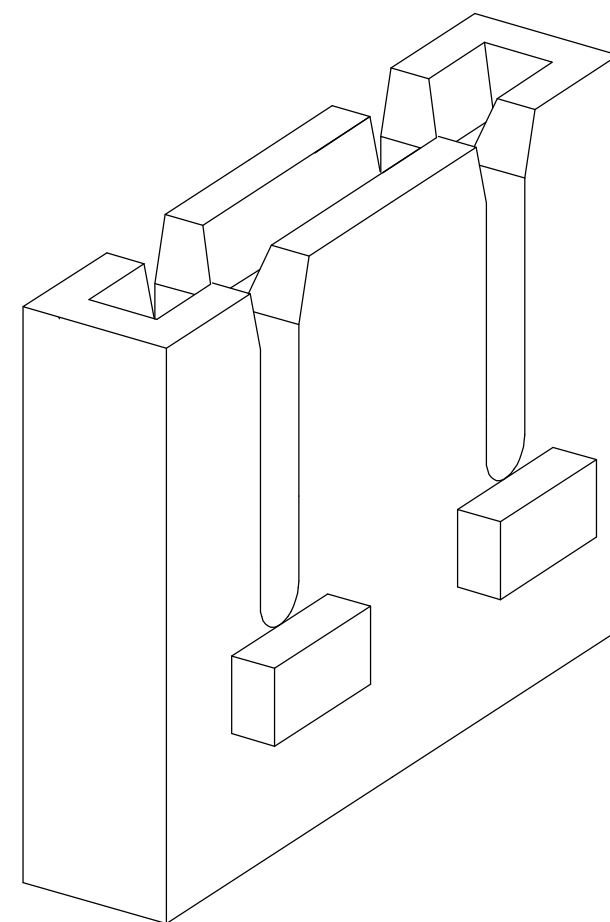
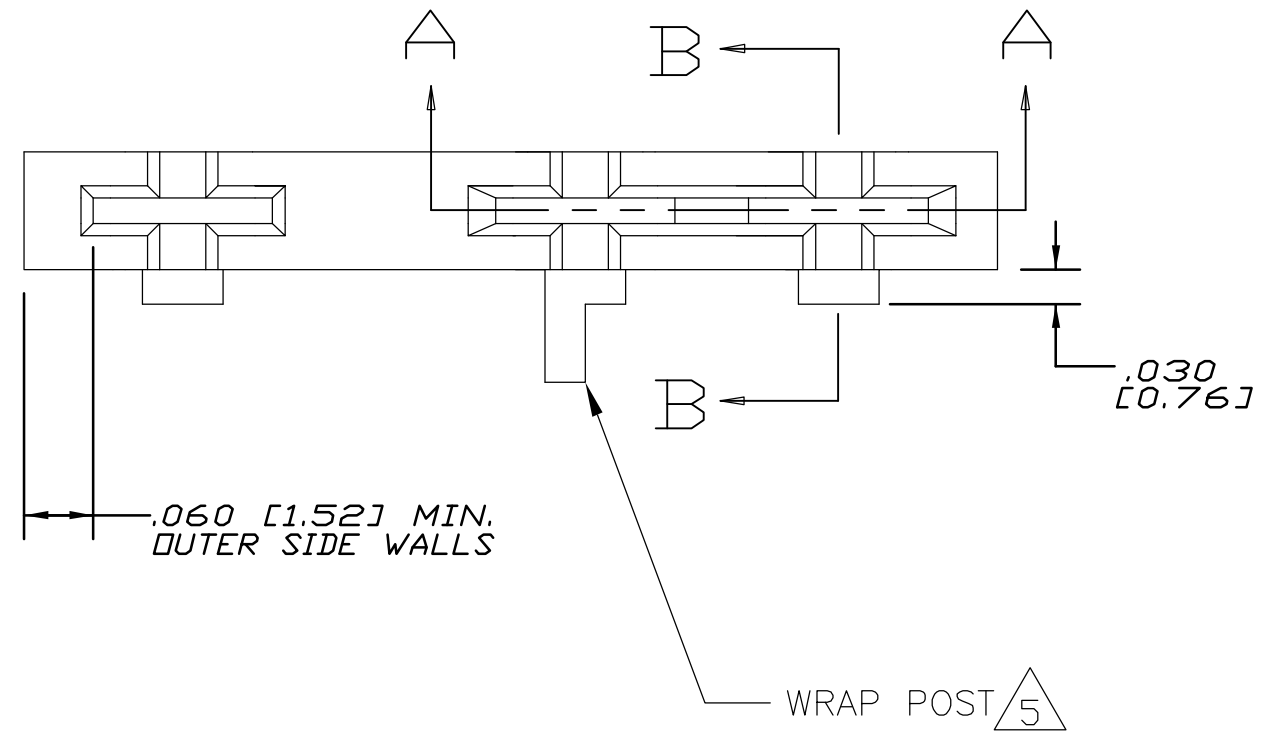
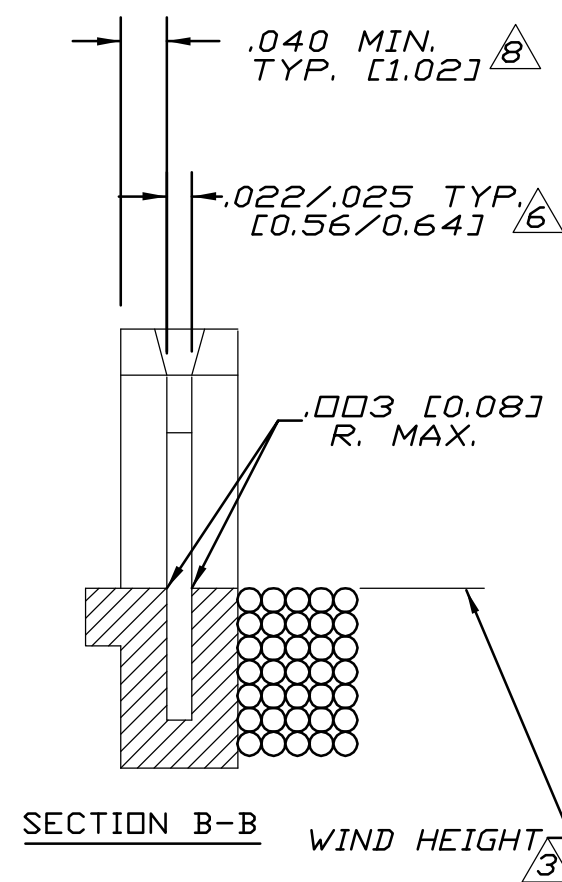
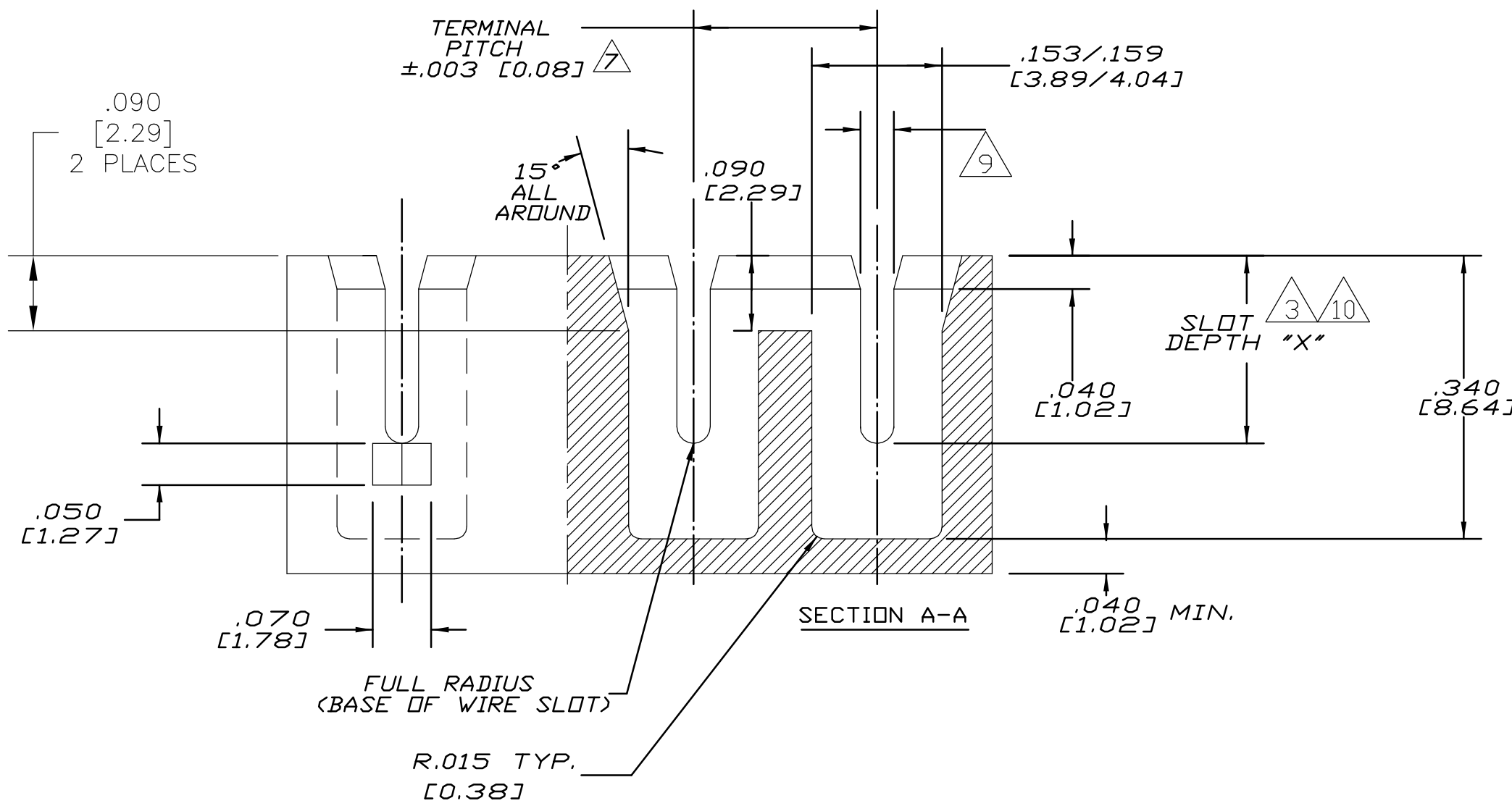


THIS DRAWING IS UNPUBLISHED. RELEASED FOR PUBLICATION
 © COPYRIGHT BY TYCO ELECTRONICS CORPORATION. ALL RIGHTS RESERVED.

LOC		DIST		REVISIONS			
P	LTR	DESCRIPTION	DATE	DWN	APVD		
AF	50	A	REVISED PER ECR-05-011955	17OCT05	MF	GJ	



1. DIMENSIONS SPECIFIED MAY VARY PER CUSTOMER APPLICATION, DO NOT TOOL WITHOUT TYCO ELECTRONICS REVIEW AND APPROVAL.
2. TYCO ELECTRONICS REQUIRES THE FOLLOWING FOLLOWING INFORMATION IN ORDER TO APPROVE THE CUSTOMER'S APPLICATION DRAWING: WIRE RANGE (DIA.) AND TOP MATING CONTACT SIZE (EDGE CONNECTOR ONLY).
3. COIL WIND HEIGHT MUST NOT EXCEED BASE OF WIRE SLOT AS SHOWN UNLESS PROVISIONS ARE MADE TO KEEP 'FINISH' WIRE FLAT AGAINST BASE OF WIRE SLOT.
4. MATERIAL RECOMMENDED: NYLON 6/6 30% GLASS FILLED. OTHER MATERIALS ARE ACCEPTABLE HOWEVER, CONSULT TYCO ELECTRONICS FOR SPECIFICATIONS.
5. WIRE #30 AWG [0.25mm DIA] AND SMALLER REQUIRES WIRE WRAP POST INSTEAD OF A TRIM POST. SEE SPEC. DRAWING #1601447.
6. MUST MAINTAIN SLOT THICKNESS (.022/.025) [0.56/0.64] INCLUDING DRAFT ANGLE FROM BOTTOM OF POCKET TO .015 [0.38] MINIMUM ABOVE BASE OF WIRE SLOT. (.028 [0.71] MAX. THICKNESS AT TOP)
7. POCKET PITCH MUST MATCH PITCH OF TERMINALS BUT WITH TOLERANCE SHOWN.
8. .060" [1.52] MIN. WALL THICKNESS RECOMMENDED ON TRIM POST SIDE WHEN WIRE TRIMMING IS REQUIRED.
9. SIZE THIS SLOT FOR LARGEST WIRE DIA. CONSULT MOLD VENDOR IF SMALLER THAN .020 [0.51] IS TO BE SPECIFIED.
10. REFER TO TABLE. CONSULT TYCO ELECTRONICS IF WIRE SIZE TO BE USED, OVERLAP THE RANGES SHOWN.
11. SLOT DEPTH DIMENSIONS ARE FOR CONNECTING ONE MAGNET WIRE WITH A MOVING BEAM SIAMEZE CONTACT. CONSULT TYCO ELECTRONICS FOR BIFILAR (2 WIRE) CONNECTIONS.



MAGNET WIRE SIZE AWG [mm DIA]	SLOT DEPTH "X" ±.003 [±0.08] 11
#18-#21.5 [1.02-0.69]	.245 [6.22]
#22-#25.5 [0.65-0.43]	.233 [5.92]
#26-#29.5 [0.41-0.27]	.225 [5.72]
#30-#33.5 [0.25-0.17]	.220 [5.59]
#34-#36 [0.16-0.13]	.217 [5.51]

THIS DRAWING IS A CONTROLLED DOCUMENT.

DIMENSIONS: INCHES	TOLERANCES UNLESS OTHERWISE SPECIFIED:	DWN: MICHAEL S. FEHER CHK: GENE JACONO APVD: KURT A. RANDOLPH	05APR2002 05APR2002 05APR2002	tyco Electronics Tyco Electronics Corporation Harrisburg, PA 17105-3608
MATERIAL	FINISH	PRODUCT SPEC	APPLICATION SPEC	NAME: BUSS TAB or EDGE CONNECTOR SIAMEZE POCKET SPECIFICATION
		408-8629	408-8629	SIZE: A2 CAGE CODE: 00779 DRAWING NO: 1601426
		CUSTOMER DRAWING	SCALE: 6:1	SHEET: 1 of 1 REV: A