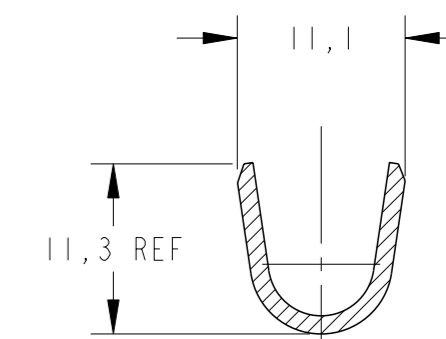
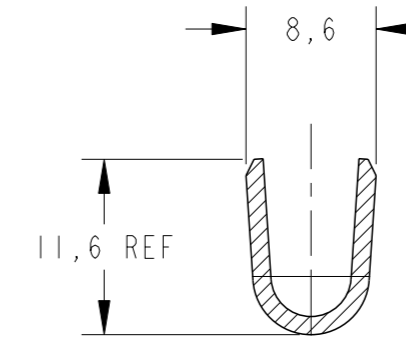
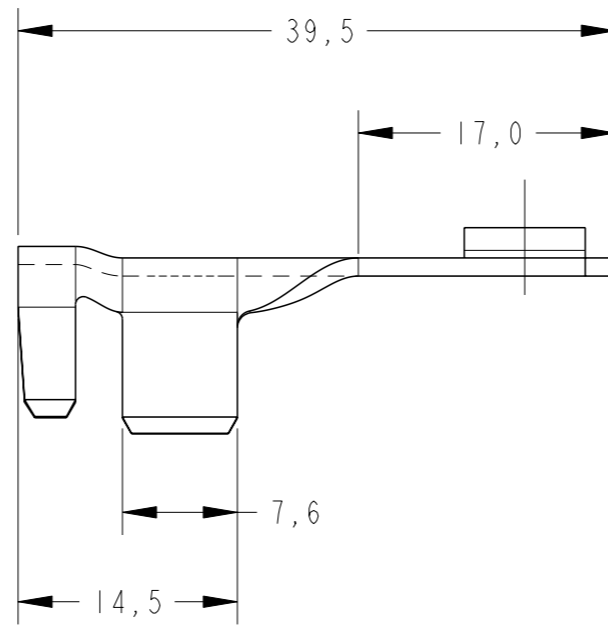
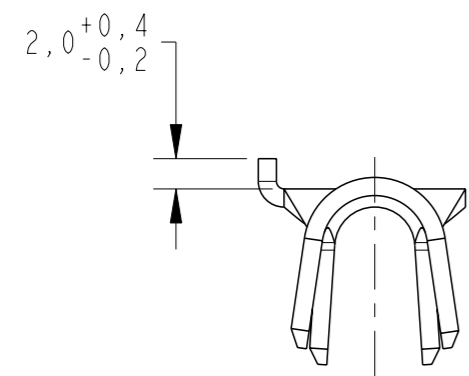


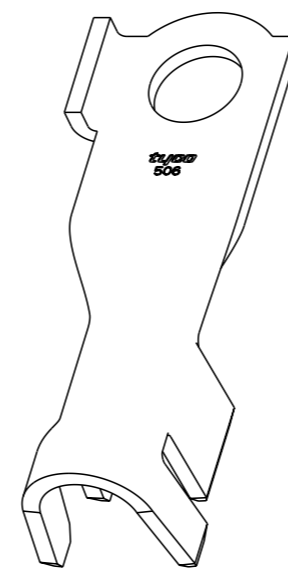
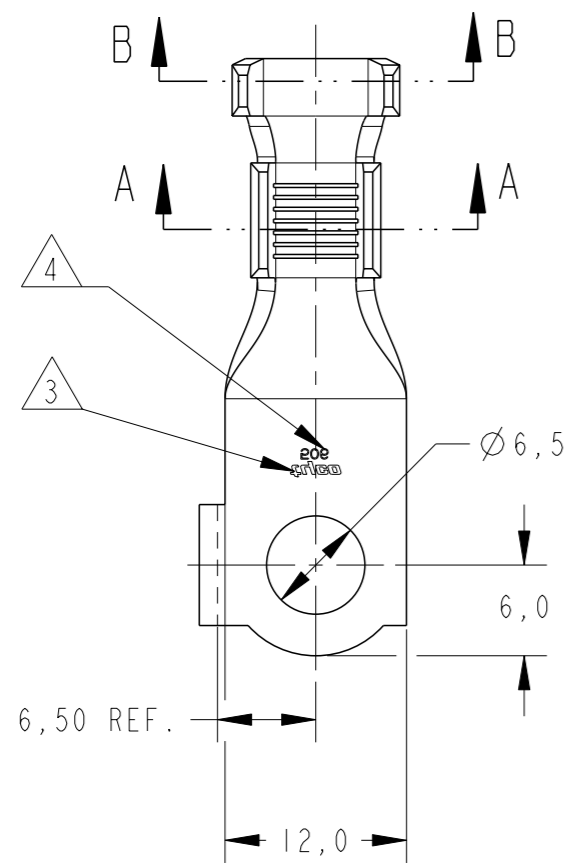
THIS DRAWING IS UNPUBLISHED. RELEASED FOR PUBLICATION 20
 © COPYRIGHT 20 BY - ALL RIGHTS RESERVED.

LOC	DIST	REVISIONS					
		P	LTR	DESCRIPTION	DATE	DWN	APVD
AP	-	A1		REVISED BY ECO-08-025417	20OCT2008	NCL	LWP
		A2		MATERIAL REVISION ECO-13-006257	11APR2013	NCL	DAO



SECTION A-A

SECTION B-B



PERSPECTIVE VIEW SCALE 2:1

- 1 LATÃO BRASS
- 2 ACABAMENTO PÓS-ESTANHADO COM ESPESSURA DE CAMADA DE 8µm A 15µm, AFTER TINNED FINISH WITH THICKNESS 8µm TO 15µm
- 3 GRAVAÇÃO DE LOGOTIPO TE EM BAIXO RELEVO, TE LOGO MARKING IN LOW RELIEF
- 4 GRAVAÇÃO DE CÓDIGO DE PAÍS PRODUTOR EM BAIXO RELEVO, MANUFACTURER COUNTRY CODE MARKING IN LOW RELIEF

WIRE RANGE 10 - 16 mm ²		INSUL. RANGE Ø 5,5 - 7,7		NÚ / PLAIN		1599940-2	
THIS DRAWING IS A CONTROLLED DOCUMENT.				FINISH		1599940-1	
DIMENSIONS: mm				MATERIAL		PART NUMBER	
TOLERANCES UNLESS OTHERWISE SPECIFIED:				TE Connectivity		-	
0 PLC ±				108-37017		-	
1 PLC ±0.3				114-2084		-	
2 PLC ±				5.44 g		-	
3 PLC ±				A2		-	
4 PLC ±				C-1599940		-	
ANGLES ±1°				CUSTOMER DRAWING		-	
FINISH				SCALE 2:1		SHEET 1 OF 1	
SEE TABLE				REV A2		-	