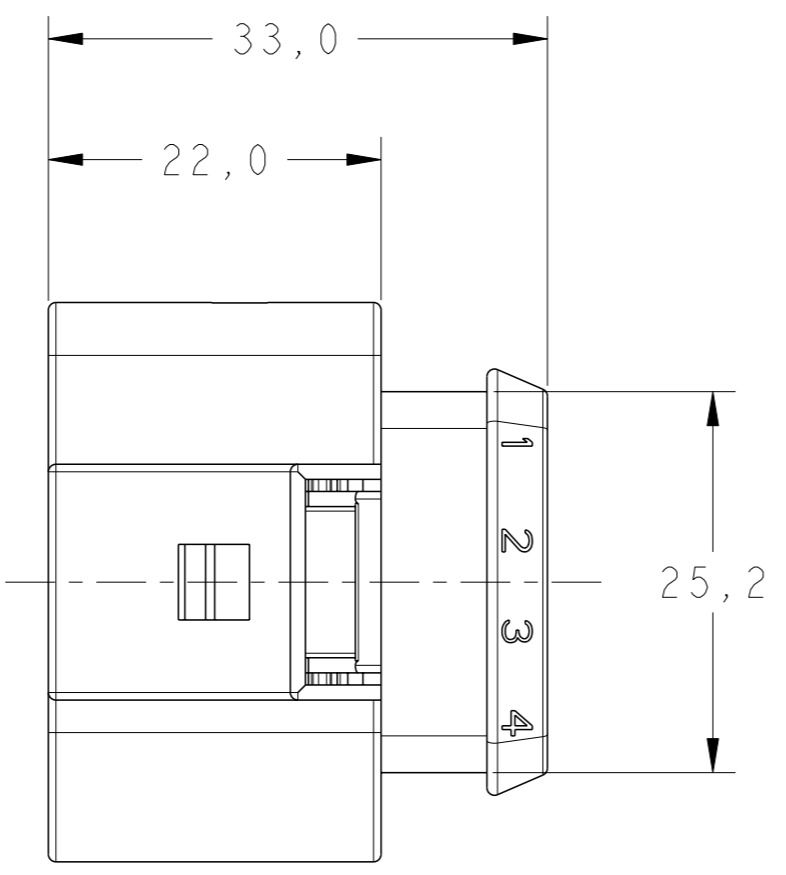
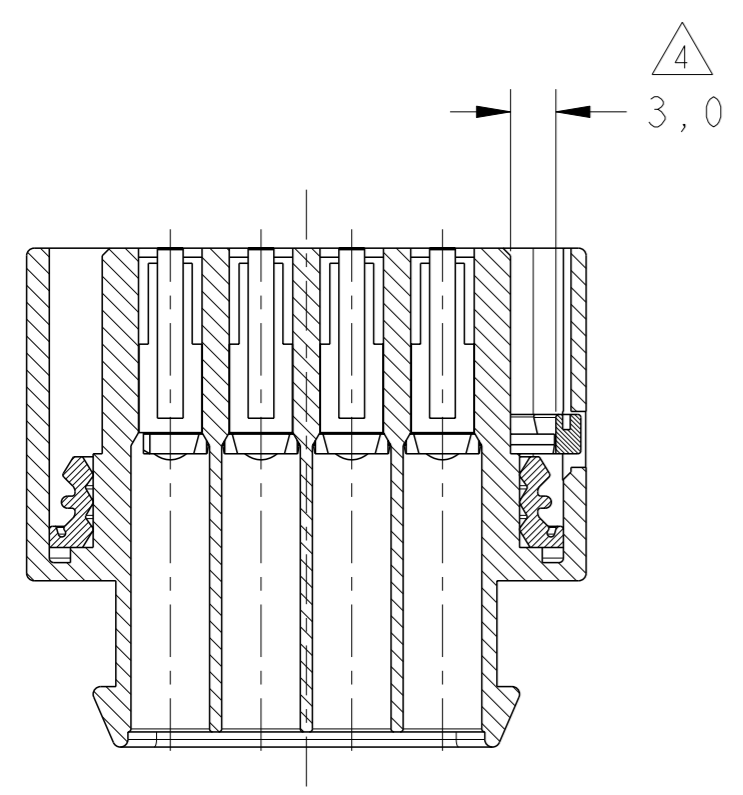
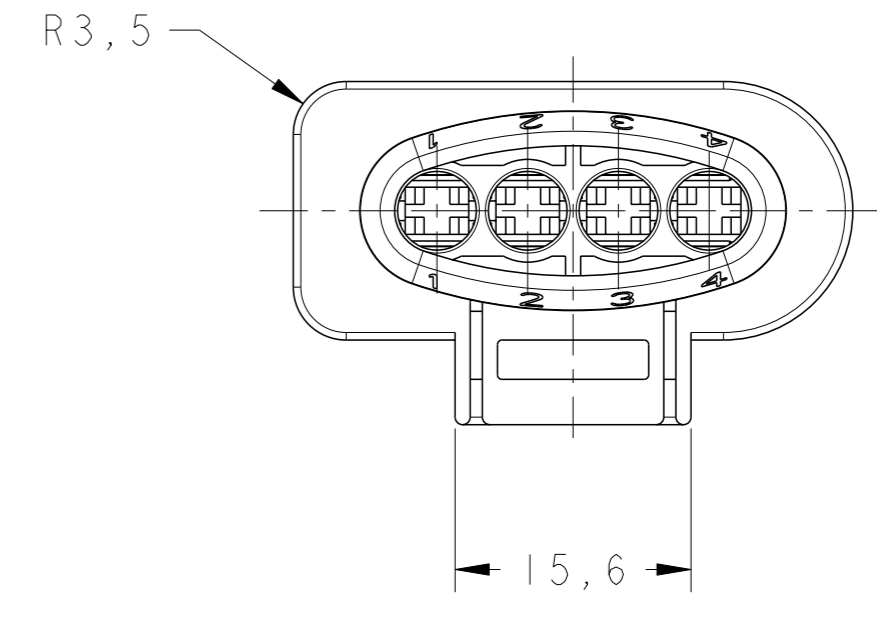
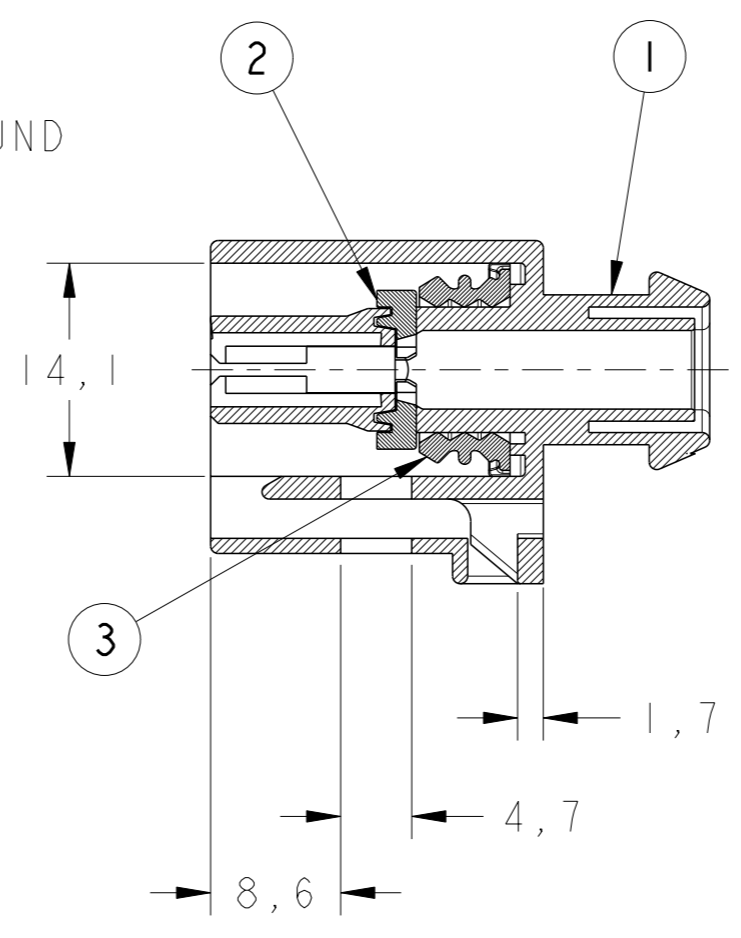
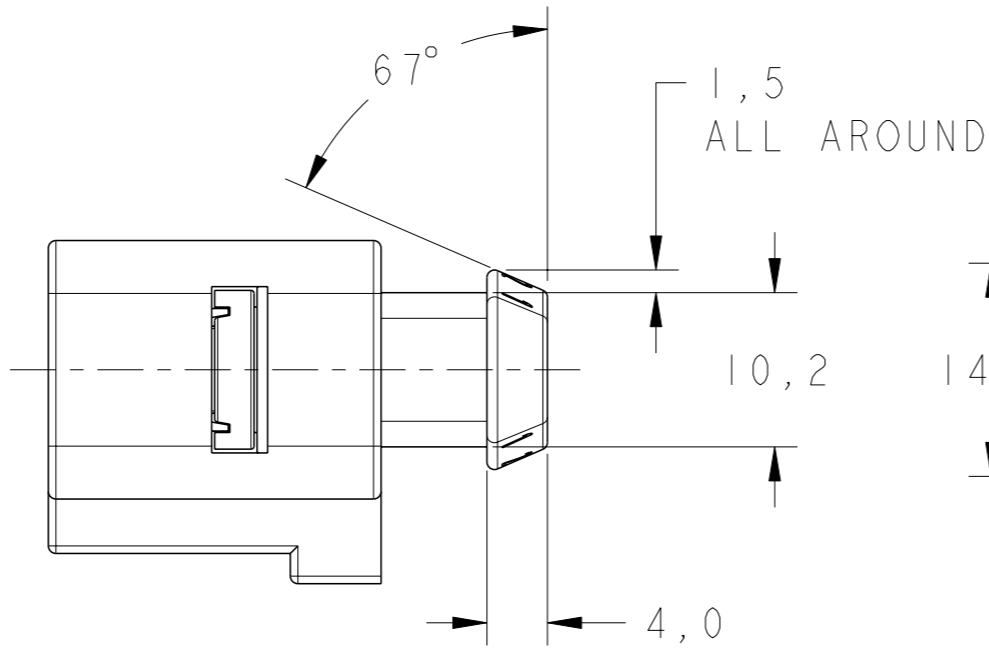
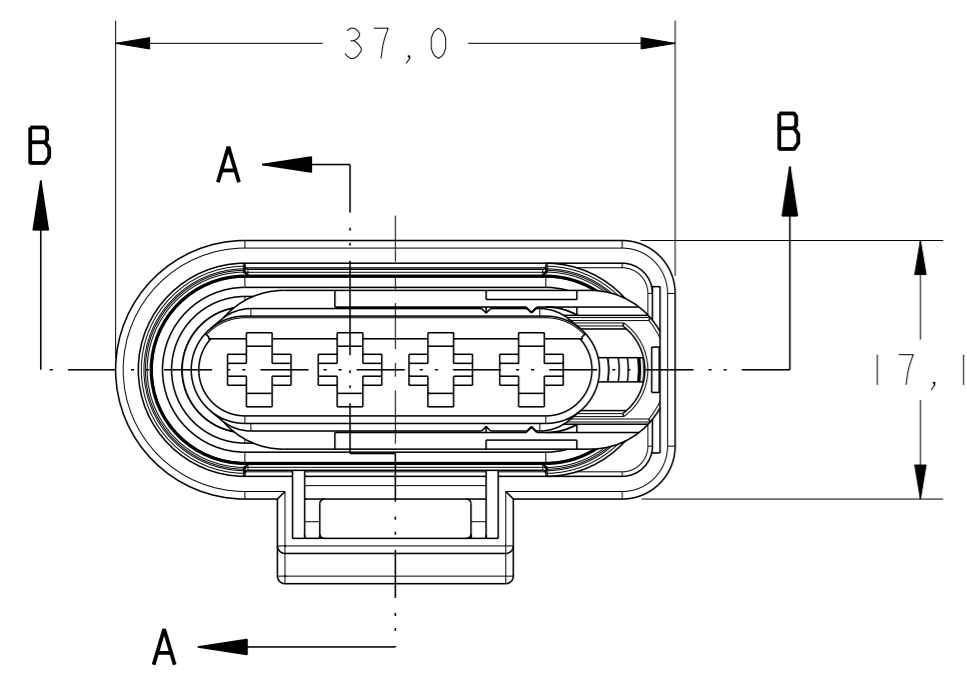


THIS DRAWING IS UNPUBLISHED. RELEASED FOR PUBLICATION
 © COPYRIGHT BY TYCO ELECTRONICS CORPORATION. ALL RIGHTS RESERVED.

LOC	DIST	REVISIONS					
AP	-	P	LTR	DESCRIPTION	DATE	DWN	APVD
		A		RELEASED BY RSA 10/138-02	06JAN2011	PP	GO
		B		REVISED DESIGN ECO-11-001144	19JAN2011	NCL	GO
		C		REVISED DESIGN ECO-11-004129	01MAR2011	NCL	ASV

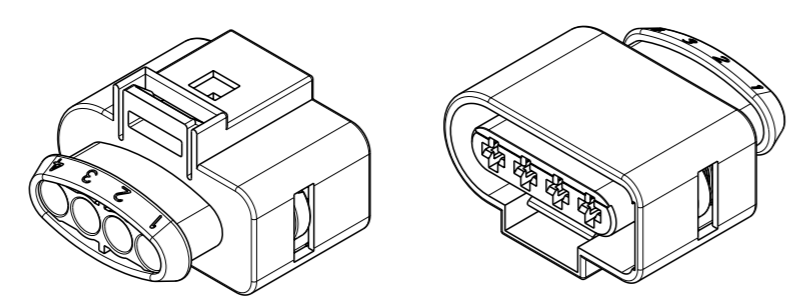


SECTION B-B

SECTION A-A

GRAVAÇÕES	MARKINGS
LOGOTIPO TE	TE LOGO
CÓDIGO PAÍS PRODUTOR	MANUFACTURER COUNTRY CODE
NOMENCLATURA MATERIAL	MATERIAL NOMENCLATURE
NÚMERO COMPONENTE TE	TE COMPONENT NUMBER
NÚMERO CAVIDADE	CAVITY NUMBER
IDENTIFICAÇÃO CIRCUITO	CIRCUIT IDENTIFICATION
PAÍS PRODUTOR	MANUFACTURER COUNTRY
REV+ LETRA REV.DA PEÇA	REV.+ PART REV.LETTER
RELOGIO DATADOR	DATE CODE

- 1- CARACTERES DE ACORDO COM NORMA DIN 1451
CHARACTERS ACCORDING TO DIN 1451
- 2- ALTURA DOS CARACTERES 1,2 E BAIXO RELEVO DE 0,2 E ZONA REBAIXADA 0,0 OU
ALTURA DOS CARACTERES 1,2 E ALTO RELEVO DE 0,2 E ZONA REBAIXADA DE 0,2.
CHARACTERS HEIGHT 1,2 RECESSED 0,2 ZONE RECESSED 0,0 OR
CHARACTERS HEIGHT 1,2 RAISED 0,2 ZONE RECESSED 0,2
- 3- RAIOS DE 0,5 EXCETO ONDE INDICADO
ALL RADII 0,5 EXCEPT AS NOTED
- 4- FORNECIDO COMO MOSTRADO NA POSIÇÃO DE PRE-TRAVAMENTO.
APÓS INSERÇÃO DOS CONTATOS, EMPURRAR 3,0mm
SHOW AS SUPPLIED, RETAINER IN PRE-LOCKED POSITION.
AFTER CONTACT LOADING TO DRIFT 3,0mm
- 5- EMBALADO À GRANEL
BULK PACKAGED



PERSPECTIVE VIEWS
SCALE 1:1



ASSY NO.	QTY	ITEM	DESCRIPTION	MATERIAL	FINISH
1599632-3	1	3	CONNECTOR SEAL, 4 POSN., JR.P.T.,RCPT.	SILICONE	LARANJA / ORANGE
	1	2	SPACER, 4 POSN., JR.P.T.,RCPT.	PBT + 10% GF	VIOLETA / VIOLET
	1	1	HOUSING, 4 POSN., JR.P.T.,RCPT.	PBT	PRETO / BLACK

THIS DRAWING IS A CONTROLLED DOCUMENT FOR TYCO ELECTRONICS CORPORATION IT IS SUBJECT TO CHANGE AND THE CONTROLLING ENGINEERING ORGANIZATION SHOULD BE CONTACTED FOR THE LATEST REVISION.		DWN P. PULGROSS 06 JAN 2011	TYCO ELECTRONICS do Brasil LTDA. Sao Paulo, Brasil
DIMENSIONS: mm		CHK J. R. GOLDSCHMIDT 06 JAN 2011	
TOLERANCES UNLESS OTHERWISE SPECIFIED: 0 PLC ± 1 PLC ±0.3 2 PLC ± 3 PLC ± 4 PLC ± ANGLES ±3°		APVD GENTIL OLIVEIRA 06 JAN 2011	
MATERIAL SEE TABLE		FINISH SEE TABLE	

NAME HOUSING ASSY., 4 POSN., JUNIOR POWER TIMER, RCPT.		SIZE A2	CAGE CODE 00779	DRAWING NO. 1599632	RESTRICTED TO C
CUSTOMER DRAWING		SCALE 2:1	SHEET 1	OF 1	REV C