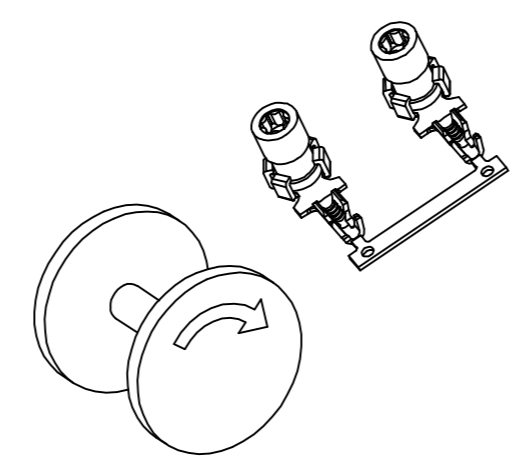
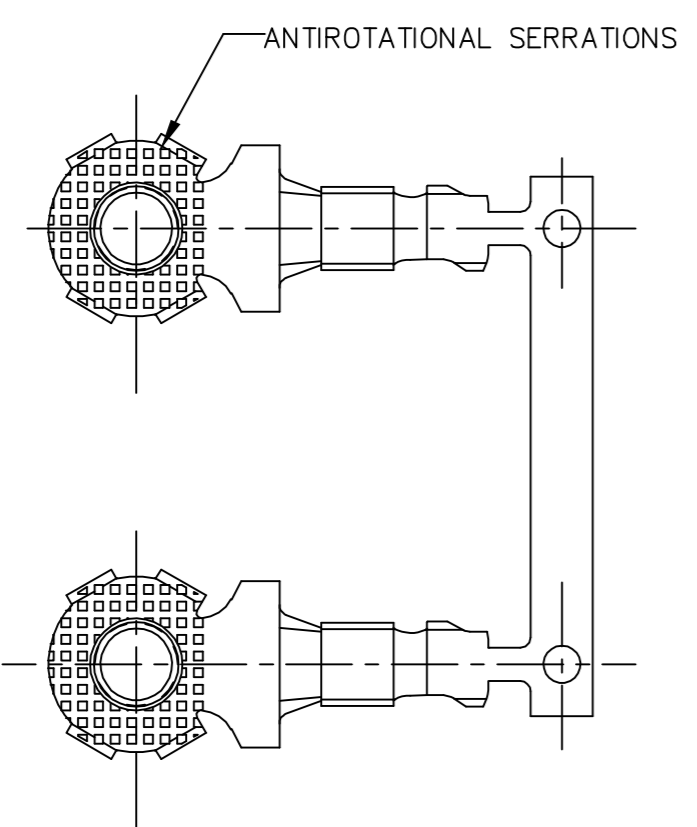
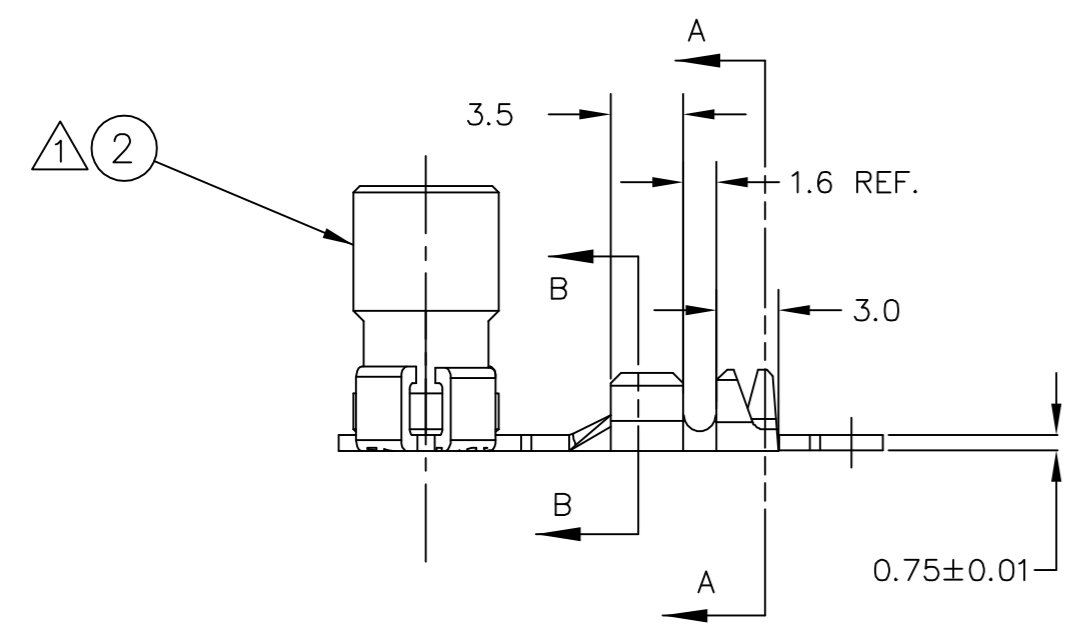
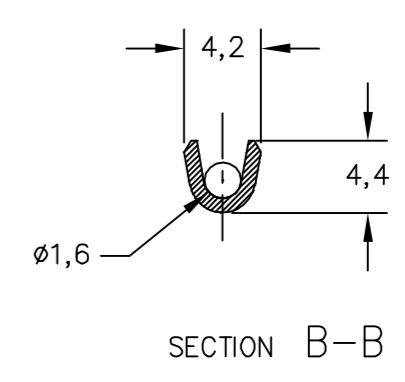
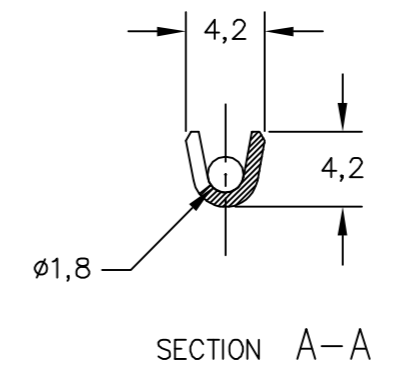
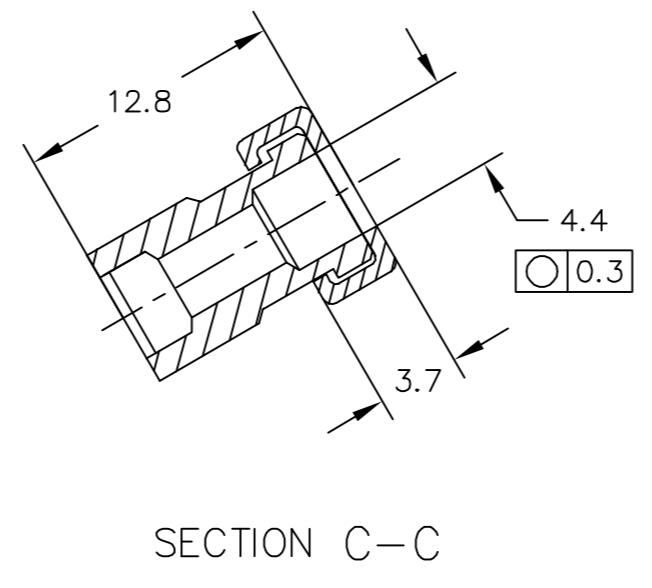
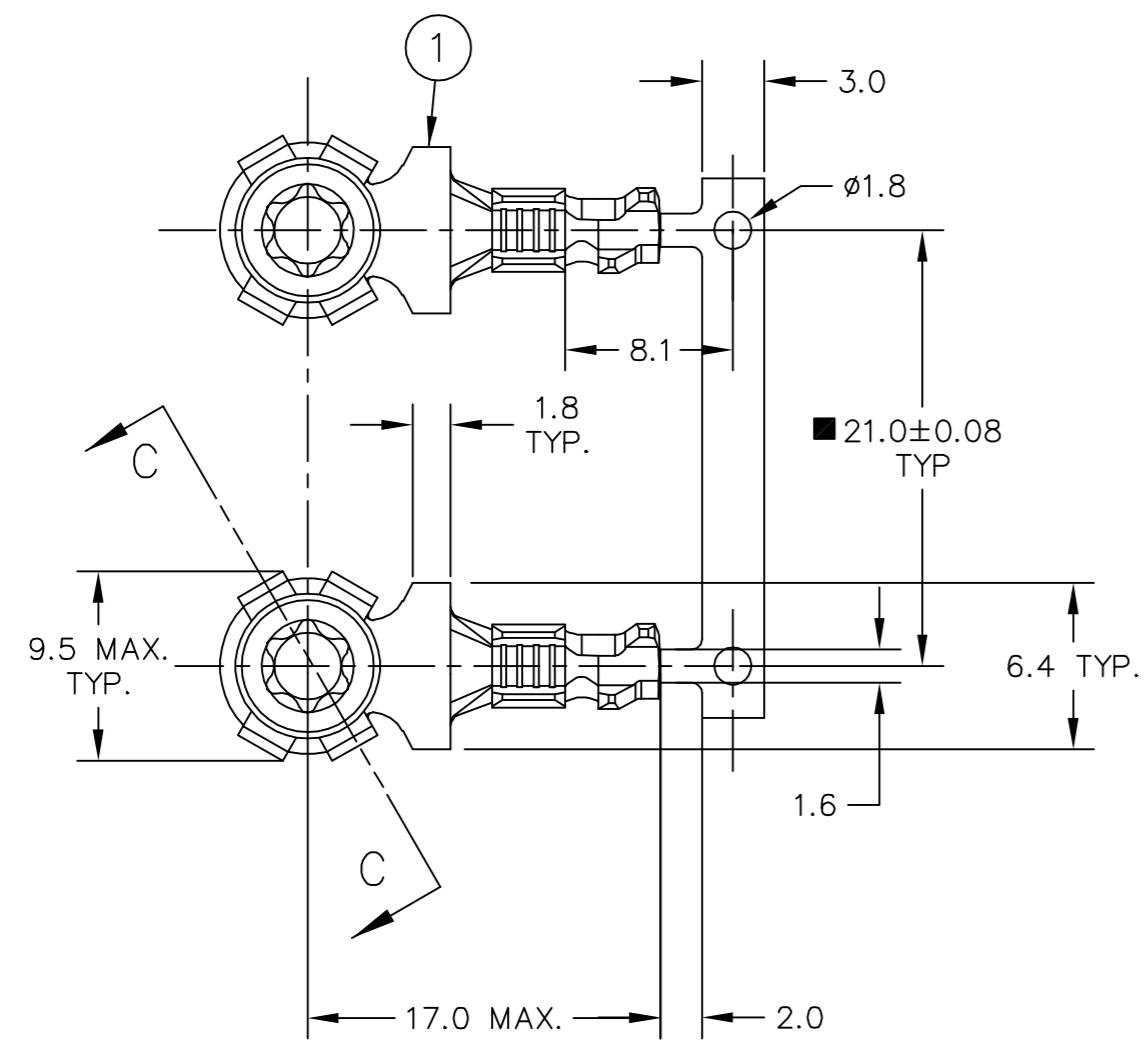


THIS DRAWING IS UNPUBLISHED. RELEASED FOR PUBLICATION  
 © COPYRIGHT - By - ALL RIGHTS RESERVED.

LOC		DIST		REVISIONS			
P	LTR	DESCRIPTION	DATE	DWN	APVD		
	F1	REVISED BY ECO-07-009088	23APR07	RKL	SHO		
	F2	REVISED DESIGN ECO-12-001803	08FEB2012	NCL	GOJ		
	F3	REVISED DESIGN ECO-12-017611	15OCT2012	NCL	CS		



DIRECTION OFF TOP OF REEL  
 TYCO SPEC. 107-3 FIG.1

- 1 - PORCA COM HEXALOBULAR INTERNO (ISO 10664-25), AÇO BAIXO CARBONO, ZINCADO BICROMATIZADO (CROMO TRIVALENTE)  
 - NUT WITH INTERNAL HEXALOBULAR (ISO 10664-25), LOW CARBON STEEL, ZINC PLATING BICHROMATED (TRIVALENT CHROMIUM)
- 2 - GARRA DO CONDUTOR PARA "F" CRIMP E GARRA DO ISOLANTE PARA "O" CRIMP.  
 - WIRE BARREL FOR "F" CRIMP AND INSULATION FOR "O" CRIMP.
- 3 - ALTURAS E LARGURAS DO FECHAMENTO PARA 0,75-1,00mm<sup>2</sup>.  
 CONDUTOR (CRIMP WIDTH): ISOLANTE (INSULATION CRIMP WIDTH)  
 LARGURA: .130 "F" .130"O"
- ALTURA (CRIMP HEIGHT): 1,00mm<sup>2</sup> - 2,24mm.  
 0,75mm<sup>2</sup> - 2,18mm.
- 4 - 1599560-2 PEÇA PROTÓTIPO.  
 - 1599560-2 PROTOTYPE PART.
- 5 - PORCA COM HEXALOBULAR INTERNO (ISO 10664-25), LATÃO CLA/CuZn38 Pb1,5 SEM ACABAMENTO.  
 - NUT WITH INTERNAL HEXALOBULAR (ISO 10664-25), BRASS CLA/CuZn38 Pb1,5 WITHOUT PLATING.

OBSOLETE

WIRE RANGE	INS. RANGE	REQ. PER ASSY	ITEM	DESCRIPTION	MATERIAL	FINISH
0,75-1,00 mm <sup>2</sup>	Ø1,55-2,10	-3 -2 -1	4	SPECIAL NUT M4		
			3	SPECIAL NUT M4 (PROTOTYPE)		
			2	SPECIAL NUT M4		
			1	TERMINAL RING TONGUE	BRONZE PHOS.	PRE-TIN/PRE-ESTANHADO
		1599560				

THIS DRAWING IS A CONTROLLED DOCUMENT.		DWN DCBLANCO 27ABR2005	TE Connectivity	
DIMENSIONS: mm		CHK P.L.FARIA 27ABR2005	ASSY, TERMINAL RING TONG, M4	
TOLERANCES UNLESS OTHERWISE SPECIFIED:		APVD D.A.OLIVEIRA 27ABR2005	NAME	
0 PLC ± -	1 PLC ± 0,3	PRODUCT SPEC		
2 PLC ± -	3 PLC ± -	APPLICATION SPEC		
4 PLC ± -	ANGLES ± 1'	SIZE CAGE CODE DRAWING NO RESTRICTED TO		
MATERIAL SEE TABLE	FINISH -	WEIGHT -	A2 00779	DRAWING NO C=1599560
CUSTOMER DRAWING		SCALE 3:1	SHEET 1 of 1	REV F3