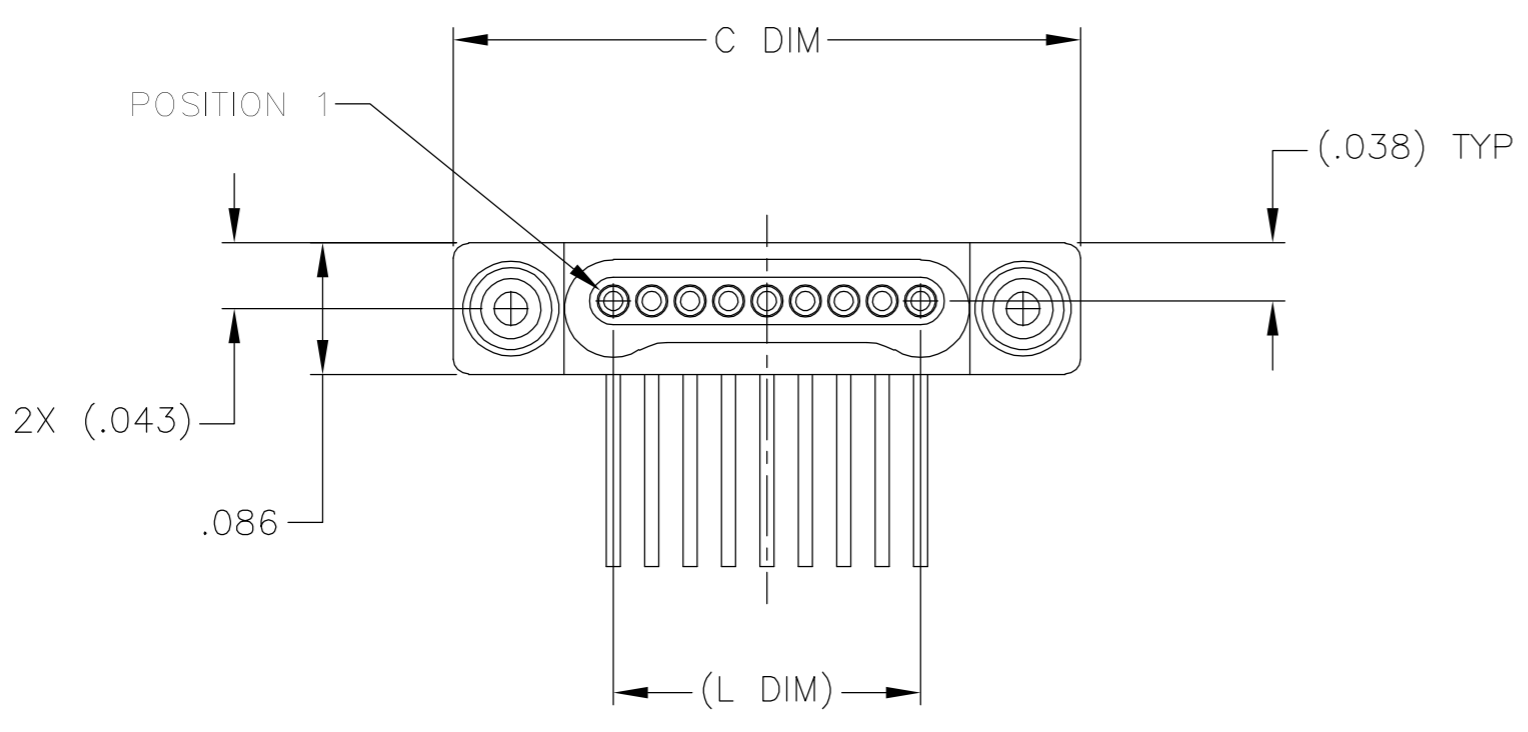
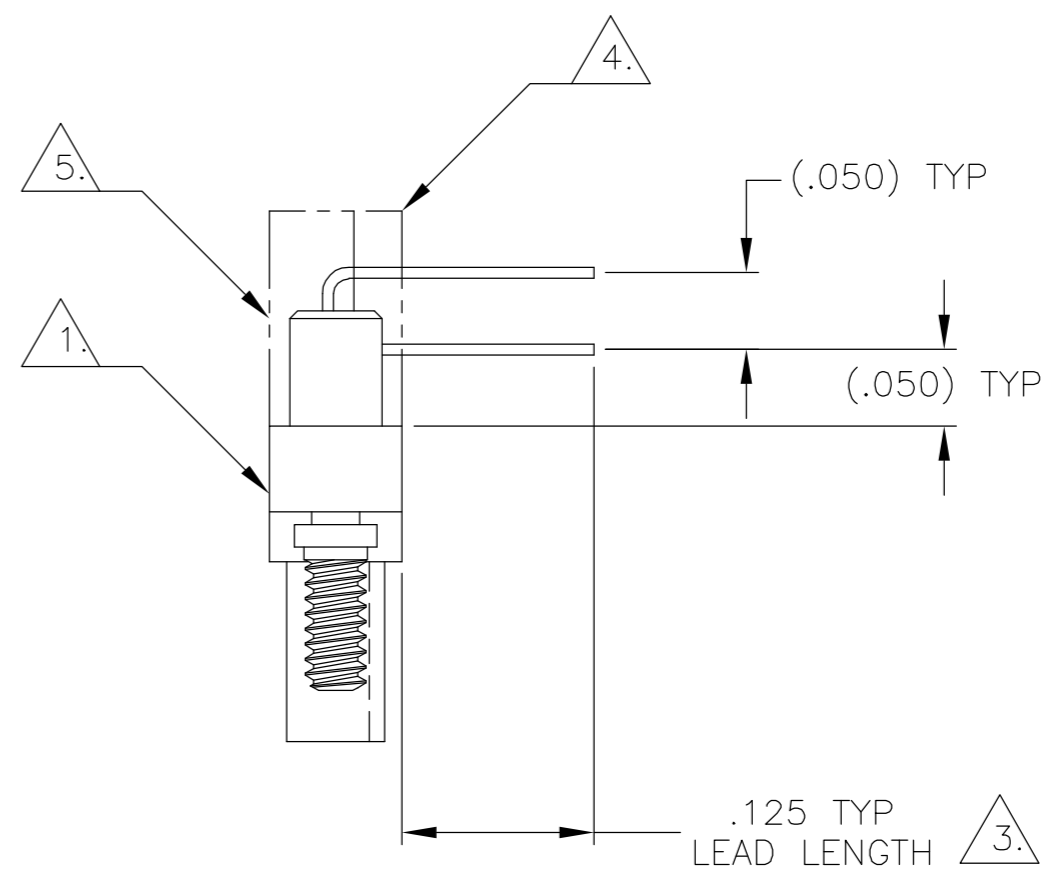
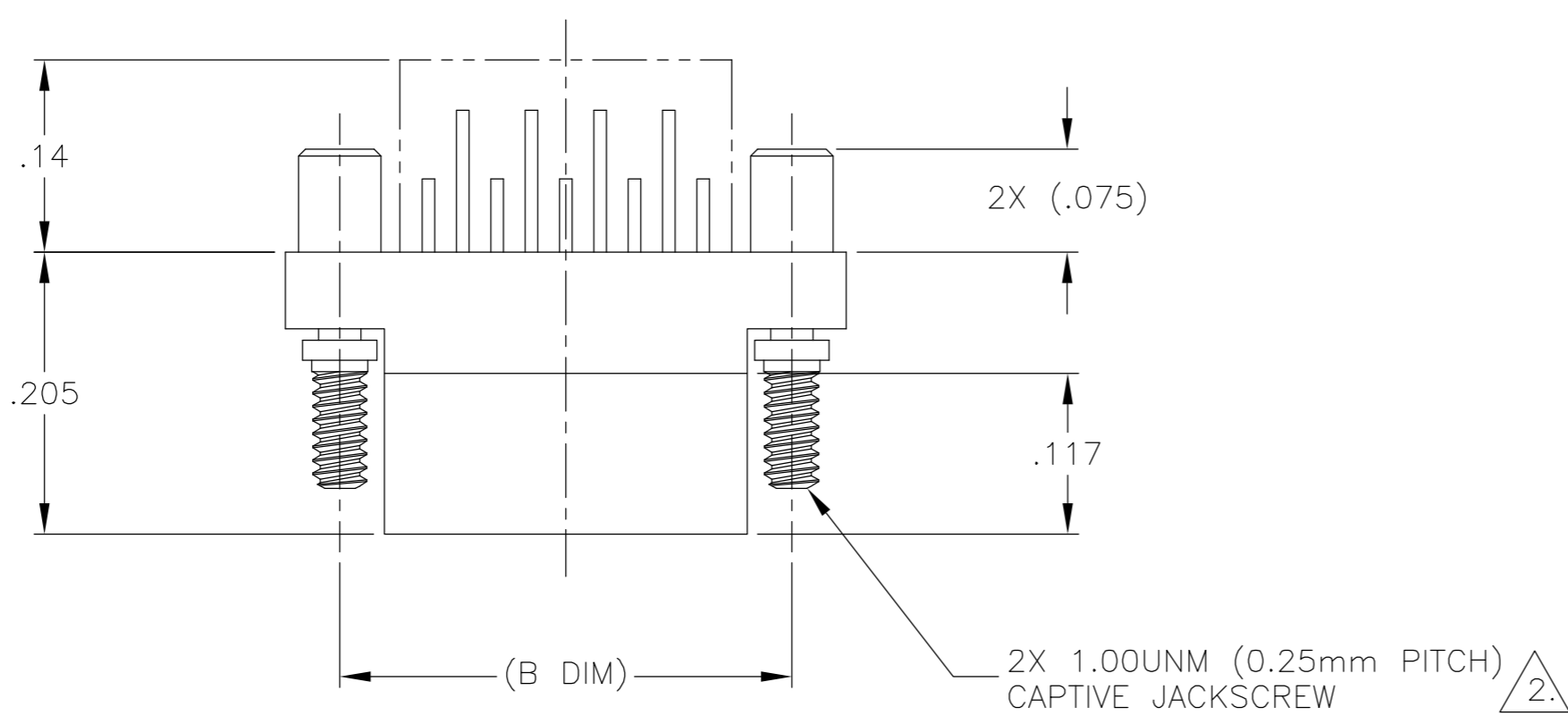


THIS DRAWING IS UNPUBLISHED. RELEASED FOR PUBLICATION  
 © COPYRIGHT BY TYCO ELECTRONICS CORPORATION. ALL RIGHTS RESERVED.

LOC		DIST		REVISIONS			
P	LTR	DESCRIPTION	DATE	DWN	APVD		
DF	DO	A	RELEASE PER 0H2Y-0177-04	05-19-04	JDM	MKS	



SIZE	(B DIM)	C DIM ±.0050	(L DIM)
05	(.233)	.3085	(.100)
09	(.333)	.4085	(.200)
15	(.483)	.5585	(.350)
25	(.733)	.8085	(.600)
37	(1.033)	1.1085	(.900)
51	(1.383)	1.4585	(1.250)

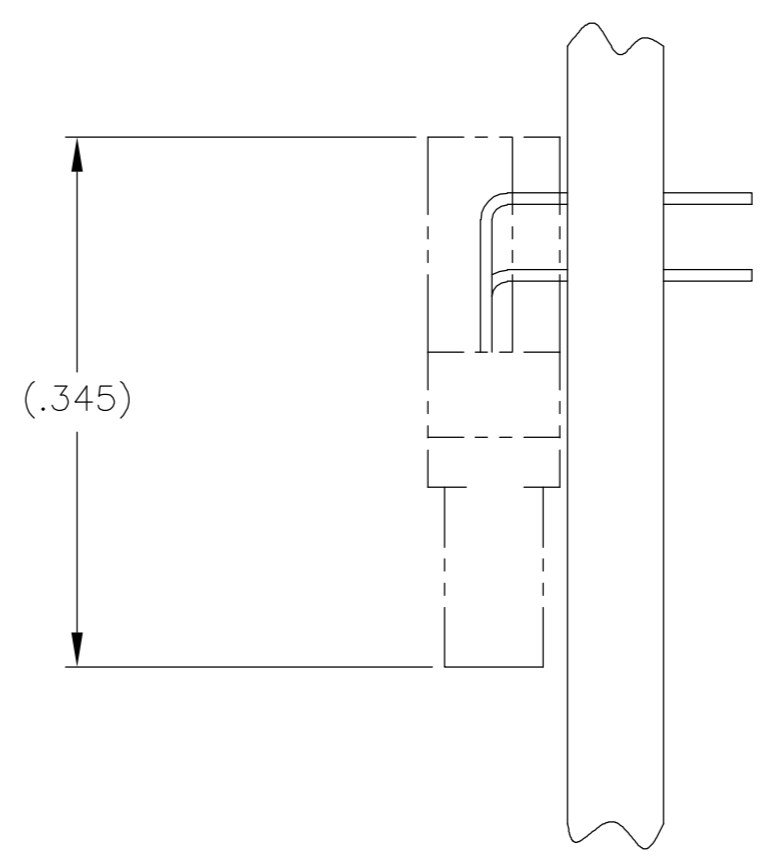
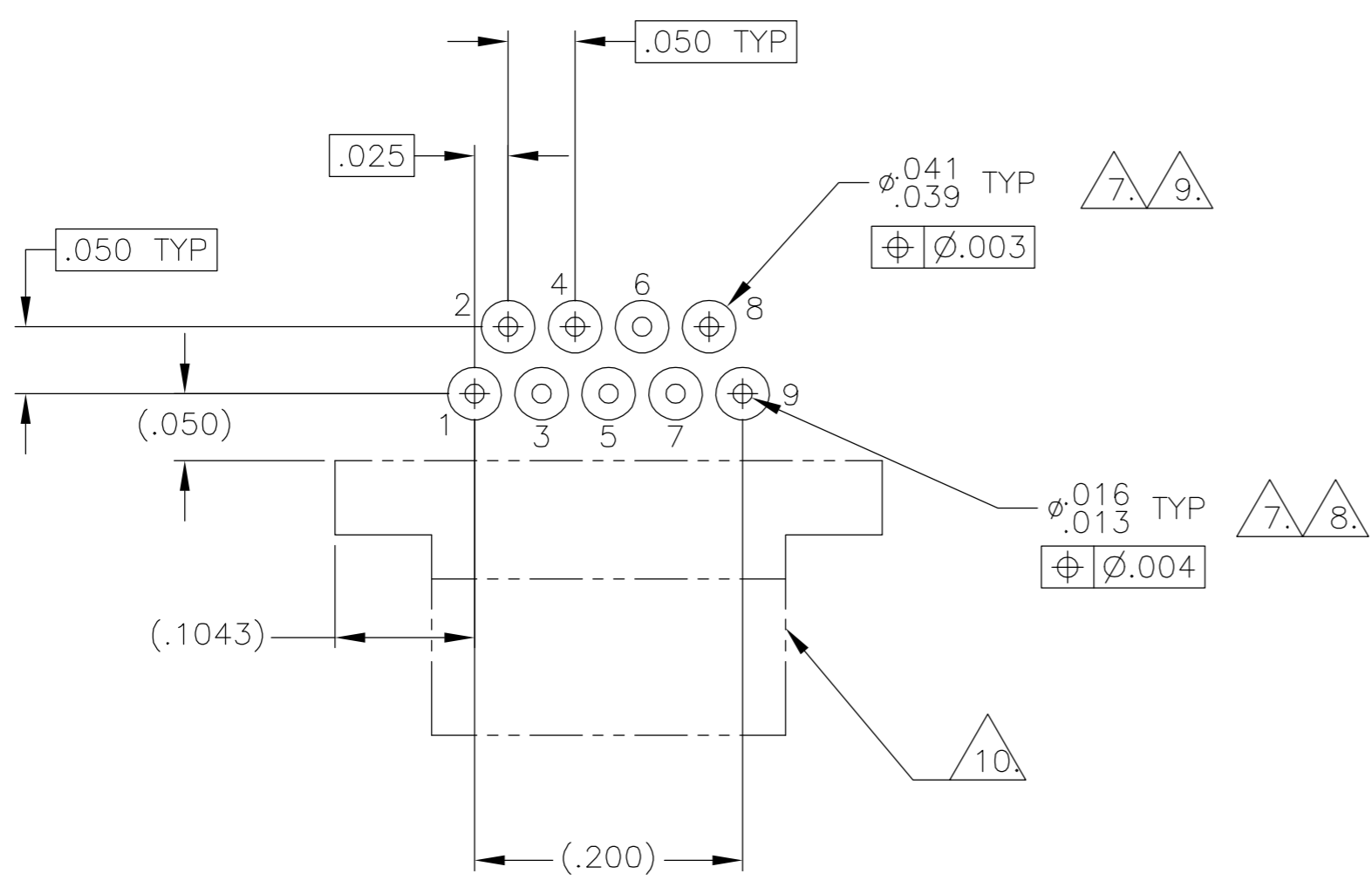
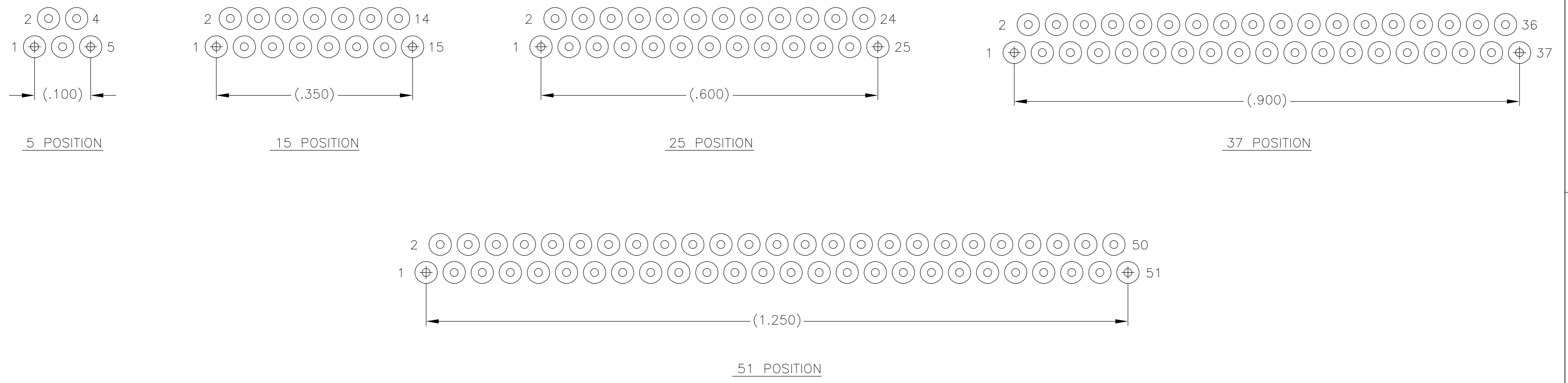
- 1. SHELL OPTIONS (TO BE SPECIFIED IN NANONICS PART NUMBER):  
 METAL: 6061-T6 ALUMINUM, ELECTROLESS NICKEL PLATED PER MIL-C-26074 (STANDARD) OR GOLD PLATED PER MIL-G-45204  
 303 STAINLESS STEEL, PASSIVATED PER SAE-AMS-QQ-P-35  
 INSULATOR MATERIAL FOR ALL METAL SHELLS IS LIQUID CRYSTAL POLYMER (LCP) PER MIL-M-24519 OR PER ASTM D5138  
 PLASTIC: LIQUID CRYSTAL POLYMER (LCP) PER MIL-M-24519 OR PER ASTM D5138
- 2. STANDARD 1.00UNM CAPTIVE JACKSCREWS ARE SHOWN FOR REFERENCE ONLY AND MUST BE SPECIFIED IN THE NANONICS PART NUMBER WHEN REQUIRED. JACKSCREW MATERIAL IS 303 STAINLESS STEEL, PASSIVATED PER SAE-AMS-QQ-P-35, AND DRY LUBED PER DOD-L-85645. RETAINING RING IS 17-4 STAINLESS STEEL, PASSIVATED PER SAE-AMS-QQ-P-35. JACKSCREWS HAVE A .9mm HEX SOCKET HEAD. 1.20UNM JACKSCREWS ALSO AVAILABLE.
- 3. LEADS ARE HH BRASS, TIN LEAD PLATED 60/40 COMPOSITION PER SAE-AMS-P-81728.
- 4. INSULATOR BOARD MATERIAL: G10 OR EQUIVALENT.
- 5. EPOXY ENCAPSULATION.
- 6. TERMINATION CODE: C61

THIS DRAWING IS A CONTROLLED DOCUMENT.		DWN D. MORALES	05-21-04	Tyco Electronics Corporation Harrisburg, Pa 17105-3608
DIMENSIONS: INCHES		CHK M. STORRY	05-21-04	
TOLERANCES UNLESS OTHERWISE SPECIFIED:		APVD M. STORRY	05-21-04	
0 PLC ± - 1 PLC ± - 2 PLC ± .010 3 PLC ± .005 4 PLC ± - ANGLES ± 1°		NAME		
MATERIAL SEE NOTES		FINISH SEE NOTES		PRODUCT SPEC APPLICATION SPEC WEIGHT - CUSTOMER DRAWING
		SCALE 8:1		SIZE A2 CAGE CODE 00779 DRAWING NO. C=1589872 SHEET 1 OF 2 REV A

1589872

THIS DRAWING IS UNPUBLISHED. RELEASED FOR PUBLICATION  
 © COPYRIGHT BY TYCO ELECTRONICS CORPORATION. ALL RIGHTS RESERVED.

LOC	DIST	REVISIONS					
DF	D0	P	LTR	DESCRIPTION	DATE	DWN	APVD
		A		RELEASE PER 0H2Y-0177-04	05-19-04	JDM	MKS



- 7. POSITIONAL TOLERANCES FOR BASIC DIMENSIONED FEATURES ARE RELATIVE TO FIDUCIALS OR SOME SIMILAR DATUM REFERENCES DEFINED BY PCB DESIGNER.
- 8. PLATED THROUGH HOLE
- 9. SOLDER PADS
- 10. CONNECTOR ORIENTATION
- 11. ALL THROUGH HOLE LAYOUTS ARE VIEWED FROM TOP OF PCB

THIS DRAWING IS A CONTROLLED DOCUMENT.		DWN D. MORALES 05-21-04	 Tyco Electronics Corporation Harrisburg, Pa 17105-3608
DIMENSIONS: INCHES		CHK M. STORRY 05-21-04	
TOLERANCES UNLESS OTHERWISE SPECIFIED:		APVD M. STORRY 05-21-04	NAME PLUG ASSEMBLY, HORIZONTAL MOUNT, THROUGH HOLE, 1 ROW TO 2 ROW, .050 SPACING, PLASTIC OR METAL
0 PLC ± - 1 PLC ± - 2 PLC ± .010 3 PLC ± .005 4 PLC ± - ANGLES ± 1°		PRODUCT SPEC	SIZE A2
MATERIAL SEE NOTES		FINISH SEE NOTES	CAGE CODE 00779
		WEIGHT -	DRAWING NO C=1589872
		CUSTOMER DRAWING	RESTRICTED TO -
		SCALE 8:1	SHEET 2 OF 2
			REV A